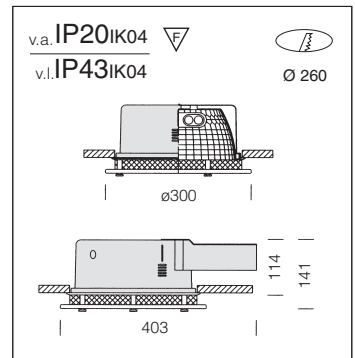
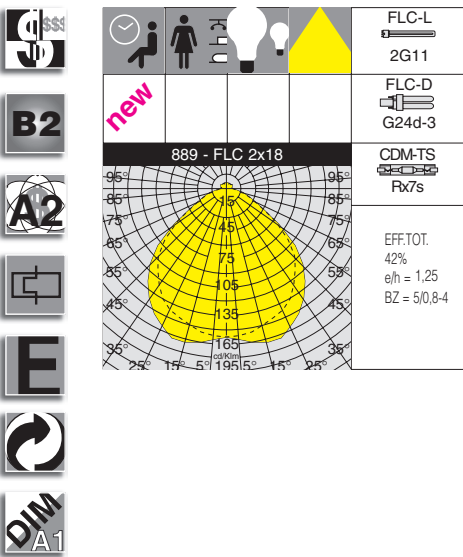


Diffuser: supplied with sandblasted glass, 5 mm thick

Emergency version: gear box supplied separately.

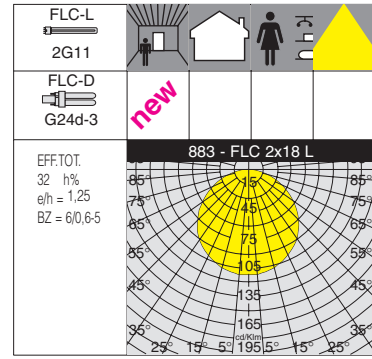
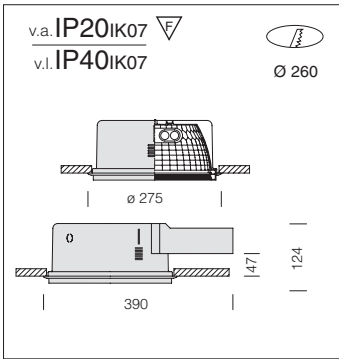
822 Compact						
		CNRL		CNRL-E		Lamps (Ta=25°C)
wattage	colour	weight	code	weight	code	Kelvin - ølm - Ra
FLC 2x18L	white	3.10	156496-00	3.80	156496-07	4000K - 1200lm - Ra 1b
FLC 2x26D	white	3.40	156497-00			4000K - 1800lm - Ra 1b
FLC 26D+26D/E	white			5.60	156497-07	4000K - 1800lm - Ra 1b



Diffuser: tempered, anti-glare, screen-printed glass. Perforated sheet protection ring set by the inserts between the glass and the housing.

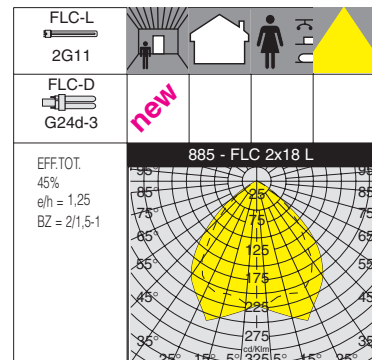
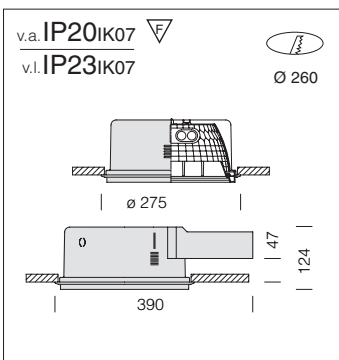
Emergency version: gear box supplied separately.

889 Compact - with glass						
		CNRL		CNRL-E		Lamps (Ta=25°C)
wattage	colour	weight	code	weight	code	Kelvin - ølm - Ra
FLC 2x18L	white	4.30	156492-00			4000K - 1200lm - Ra 1b
FLC 2x26D	white	5.40	156495-00	7.40	156495-07	4000K - 1800lm - Ra 1b
CDM-TS 150	white	8.40	156493-00			3000K - 1400lm - Ra 1b



Screen: in opal polycarbonate.
Emergency version: gear box supplied separately.

883 Compact								
		CNRL		CNRL-E		CELL		Lamps (Ta=25°C)
wattage	colour	weight	code	weight	code	weight	code	Kelvin - ølm - Ra
FLC 2x18L	white	3.00	156412-00	4.80	156412-07	2.50	156412-08	4000K - 1200lm - Ra 1b



Screen: low luminance, 3 anti-glare spokes, in aluminium powder coated metal-colour polycarbonate.
Emergency version: gear box supplied separately.

885 Compact								
		CNRL		CNRL-E		CELL		Lamps (Ta=25°C)
wattage	colour	weight	code	weight	code	weight	code	Kelvin - ølm - Ra
FLC 2x18L	white	3.00	156432-00	4.80	156432-07	2.50	156432-08	4000K - 1200lm - Ra 1b
FLC 2x26D	white	3.50	156433-00			2.70	156433-08	4000K - 1800lm - Ra 1b