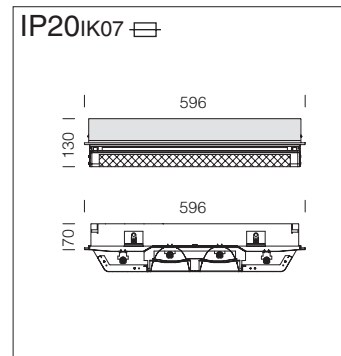


854 - FL 4x14  
 CONSUMP:  
 CELL = A2  
 EFF.=  
 upp. 2.4%  
 low. 52.5%  
 tot. 54.9%  
 e/h= 1,25  
 BZ=5/3,04

FL...

G5

With the new LG7 VDT the designer will ensure that the ceiling and walls receive a certain amount of light in order to have a well-lighted environment where occupants have a good "visual sensation".



**Housing:** made of sheet steel with white internal reflector.

**Dark light louvre:** double parabolic louvres, in high-gloss 99.99 aluminium, anti-glare and anti-iridescence, very low luminance, PVD treatment to improve luminous efficiency.

**Coating:** housing and reflector white acrylic anionic electrocoating.






**Electric gear:** 230V/50Hz power supply: Hard wire, cross section 0.50 sqmm, and high-temperature resistant (up to 90°C) PVC-HT sheath, in accordance with CEI 20-20 standards. 2P + T terminal block (maximum allowed lead cross section 2.5 sqmm.).

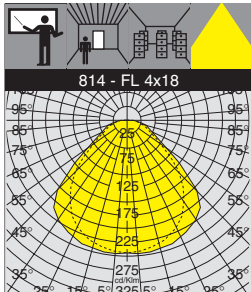
**Equipment:** 3,15A protection fuse. Supplied with 1.5m cable with plug.

**Supplied without brackets** for contact mounting on the cross T structure. When not contact mounted, use brackets acc. 128. See pag. 30.

854 Heron T5 - direct and lateral light 99,99						
		CELL-F		CELL-E		Lamps (Ta=25°C)
wattage	colour	weight	code	weight	code	Kelvin - ølm - Ra
<b>FL 4x14</b>	white	7.00	153550-00	7.50	153550-07	4000K - 1200 lm - Ra 1b

EM version with 3 hour duration and twin circuit on request.

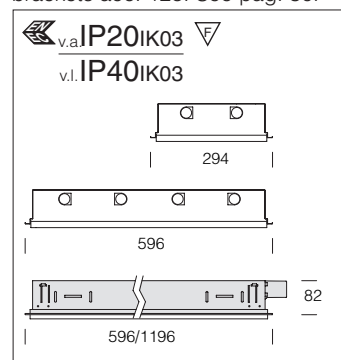








814 - FL 4x18  
 CONSUMP:  
 CNR = B2  
 CEL = A2  
 EFF.TOT.  
 61.7 %  
 e/h = 1,25  
 BZ = 5/4,0-5

FL...

G13



**Housing:** made of sheet steel.

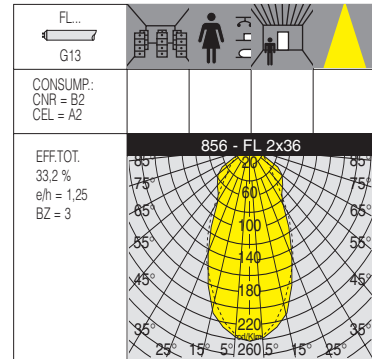
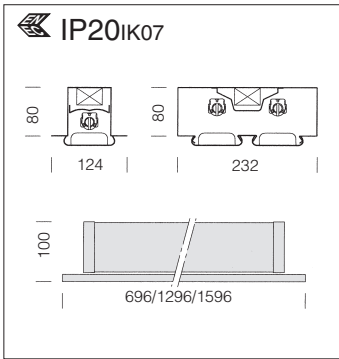
**Diffuser:** anti-glare prismatic plexi-glass.

**Coating:** acrylic anionic electrocoating, white, UV-stabilized.

**Electric gear:** 230V/50Hz power supply: Hard wire, cross section 0.50 sqmm, and high-temperature resistant (up to 90°C) PVC-HT sheath, in accordance with CEI 20-20 standards. 2P + T terminal block (maximum allowed lead cross section 2.5 sqmm.).

**Supplied without brackets** for contact mounting on the cross T structure. When not contact mounted, use brackets acc. 901. See pag. 30.

814 Comfort - prismatic moulded diffuser						SHOOKS	PANELS
		CNR		CEL			
wattage	colour	weight	code	weight	code		
<b>FL 2x18</b>	white	3.10	152045-00	2.90	152045-08	•	
<b>FL 2x36</b>	white	5.20	152046-00	4.40	152046-08	•	
<b>FL 4x18</b>	white	5.40	152047-00	4.60	152047-08	•	•
<b>FL 4x36</b>	white	10.50	152048-00	8.90	152048-08	•	•

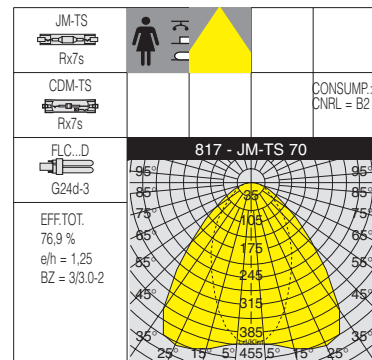
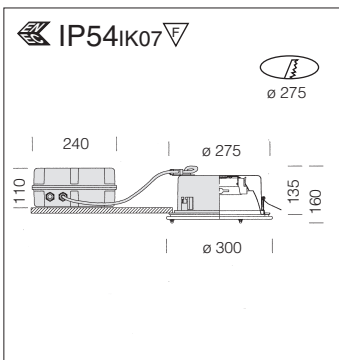


**Housing/Diffuser:** white pre-painted aluminium.

**Electric gear:** 230V/50Hz power supply: Hard wire, cross section 0.50 sqmm, and high-temperature resistant (up to 90°C) PVC-HT sheath, in accordance with CEI 20-20 standards. 2P + T terminal block (maximum allowed lead cross section 2.5 sqmm.).

856 Nizza					
			CNR		CEL
wattage	colour	weight	code	weight	code
FL 1x18	white	1.20	157340-00		
FL 1x36	white	2.00	157341-00		
FL 1x58	white	2.30	157342-00	2.30	157342-08
FL 2x18	white	2.45	157343-00	2.45	157343-08
FL 2x36	white	5.80	157344-00	5.80	157344-08

Brackets included. Not suitable for continuous line mounting.  
**FOR HD 84R TYPE SHOOKS**  
 Cross T spacing: **1/2x18W:** 680 - **1/2x36W:** 1290 - **1x58W:** 1590



**Housing:** made of printed sheet steel.

**Diffuser:** supplied with sandblasted frosted glass, 5 mm thick

**Reflector:** wide-beam anodised and polished aluminium.

**Coating:** acrylic anionic electro-coating, white, UV-stabilized.

**Electric gear:** 230V/50Hz power supply: Hard wire, cross section 0.50 sqmm, and high-temperature resistant (up to 90°C) PVC-HT sheath, in accordance with CEI 20-20 standards. 2P + T terminal block (maximum allowed lead cross section 2.5 sqmm.).

**Equipment:** gear box supplied separately.

817 Compact - IP54 wide beam						
		CNRL		CNRL-E		Lamps (Ta=25°C)
wattage	colour	weight	code	weight	code	Kelvin - l/m - Ra
JM-TS 70	white	4.70	156334-00			4000K - 5700lm - Ra 1b
JM-TS 150	white	5.50	156335-00			4000K - 12000lm - Ra 1b
CDM-TS 70	white	4.70	156336-00			3000K - 6600lm - Ra 1b
CDM-TS 150	white	5.50	156337-00			3000K - 14000lm - Ra 1b
FLC 1x26D/E	white			4.50	156338-07	4000K - 1800lm - Ra 1b