

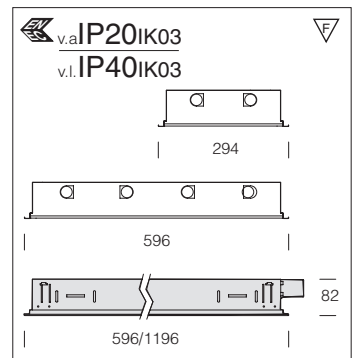
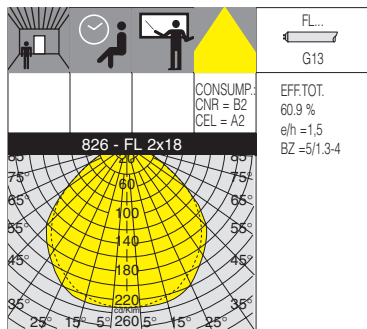
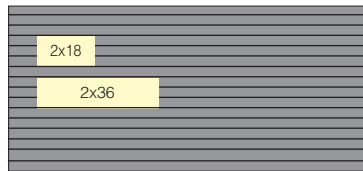
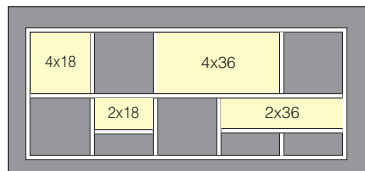
Housing and frame: made of sheet steel.

Diffuser: in opal plexiglass.

Supplied without brackets: for contact mounting directly on the cross T structure. When not contact mounted, see page 30).

825 Comfort - opal diffuser

| | | CNR | | CNR-E | | CEL | | CEL-E | | SHOOKS | PANELS |
|----------------|--------|--------|-----------|--------|-----------|--------|-----------|--------|-----------|--------|--------|
| wattage | colour | weight | code | weight | code | weight | code | weight | code | | |
| FL 2x18 | white | 3.60 | 156520-00 | | | 3.40 | 156520-08 | | | • | |
| FL 2x36 | white | 6.30 | 156521-00 | 6.90 | 156521-07 | 5.60 | 156521-08 | 6.20 | 156521-09 | • | |
| FL 4x18 | white | 6.20 | 156522-00 | 6.80 | 156522-07 | 5.40 | 156522-08 | 5.90 | 156522-09 | • | • |
| FL 4x36 | white | 11.00 | 156523-00 | 11.60 | 156523-07 | 9.50 | 156523-08 | 10.10 | 156523-09 | • | • |



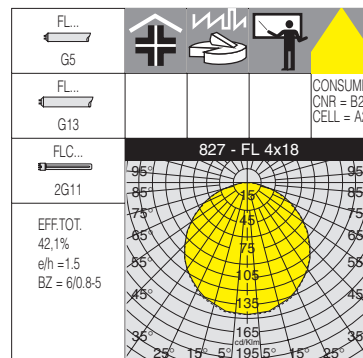
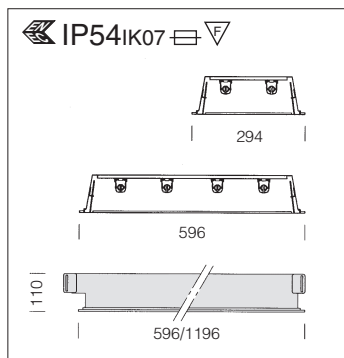
Housing and frame: made of sheet steel.

Diffuser: in opal plexiglass.

Supplied without brackets: for contact mounting directly on the cross T structure. When not contact mounted, see page 30).

826 Comfort - prismatic diffuser

| | | CNR | | CNR-E | | CEL | | CEL-E | | SHOOKS | PANELS |
|----------------|--------|--------|-----------|--------|-----------|--------|-----------|--------|-----------|--------|--------|
| wattage | colour | weight | code | weight | code | weight | code | weight | code | | |
| FL 2x18 | white | 3.60 | 156620-00 | | | 3.40 | 156620-08 | | | • | |
| FL 2x36 | white | 6.30 | 156621-00 | 6.90 | 156621-07 | 5.60 | 156621-08 | 6.20 | 156621-09 | • | |
| FL 4x18 | white | 6.20 | 156622-00 | 6.80 | 156622-07 | 5.40 | 156622-08 | 5.90 | 156622-09 | • | • |
| FL 4x36 | white | 11.00 | 156623-00 | 11.60 | 156623-07 | 9.50 | 156623-08 | 10.10 | 156623-09 | • | • |



Comfort for shocks and panels: safety springs for easy maintenance



Housing and frame: made of sheet steel.

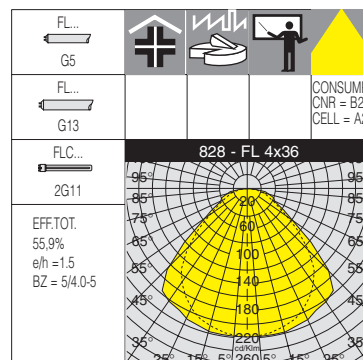
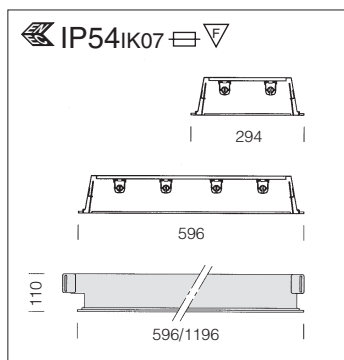
Diffuser: in opal polycarbonate.

Equipment: 6.3A protection fuse.

827 Comfort - opal diffuser

| wattage | colour | CNR-F | | CNR-F-E | | CEL-F | | CELL-F | | SHOOKS | PANELS |
|-----------|--------|--------|-----------|---------|-----------|--------|-----------|--------|-----------|--------|--------|
| | | weight | code | weight | code | weight | code | weight | code | | |
| FL 2x18 | white | 5.00 | 156724-00 | | | 4.00 | 156724-08 | | | • | |
| FL 2x36 | white | 7.10 | 156725-00 | 8.10 | 156725-07 | 6.10 | 156725-08 | | | • | |
| FL 4x18 | white | 7.85 | 156728-00 | 8.85 | 156728-07 | 6.85 | 156728-08 | | | • | • |
| FL 4x36 | white | 13.55 | 156729-00 | 14.55 | 156729-07 | 12.55 | 156729-08 | | | • | • |
| FLC 3x55L | white | | | | | | | 7.80 | 156723-00 | • | • |
| FL 4x14 | white | | | | | | | 7.85 | 156722-00 | • | • |

Recessed mounting brackets are welded on: as a result, a degree of protection IP54 can be maintained also on the housing. Not suitable for plasterboard.



Housing and frame: Made of sheet steel.

Diffuser: in prismatic polycarbonate.

Equipment: 6.3A protection fuse.

828 Comfort - prismatic diffuser

| wattage | colour | CNR-F | | CNR-F-E | | CEL-F | | CELL-F | | SHOOKS | PANELS |
|-----------|--------|--------|-----------|---------|-----------|--------|-----------|--------|-----------|--------|--------|
| | | weight | code | weight | code | weight | code | weight | code | | |
| FL 2x18 | white | 5.00 | 156824-00 | | | 4.00 | 156824-08 | | | • | |
| FL 2x36 | white | 7.10 | 156825-00 | 8.10 | 156825-07 | 6.10 | 156825-08 | | | • | |
| FL 4x18 | white | 7.85 | 156828-00 | 8.85 | 156828-07 | 6.85 | 156828-08 | | | • | • |
| FL 4x36 | white | 13.55 | 156829-00 | 14.55 | 156829-07 | 12.55 | 156829-08 | | | • | • |
| FLC 3x55L | white | | | | | | | 7.80 | 156823-00 | • | • |
| FL 4x14 | white | | | | | | | 7.85 | 156822-00 | • | • |

Recessed mounting brackets are welded on: as a result, a degree of protection IP54 can be maintained also on the housing. Not suitable for plasterboard.