

Housing: made of sheet steel.
Reflector: high luminous efficiency 99.99 frosted aluminium.
Dark light louvre: double parabolic louvres, in matt 99.99 aluminium, anti-glare and anti-iridescence, very low luminance, PVD treatment to improve luminous efficiency.
Coating: housing and reflector acrylic anionic electrocoating, UV-stabilized.

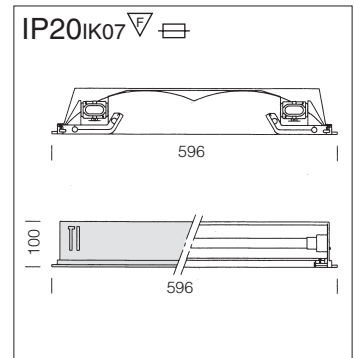
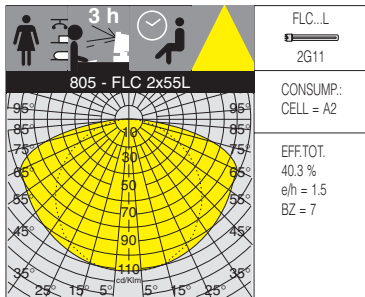
Electric gear: 230V/50Hz power supply: Hard wire, cross section 0.50 sqmm, and high-temperature resistant (up to 90°C) PVC-HT sheath, in accordance with CEI 20-20 standards. 2P + T terminal block (maximum allowed lead cross section 2.5 sqmm.).

Equipment: 3,15A protection fuse. Supplied with 1.5m cable with plug.

Supplied without brackets: when not contact mounted, use brackets acc. 900. See page 30.

Emergency versions: on request, versions with 3 hour emergency duration.

916 Ibis T5 - matt optical 99,99						
		CELL-F		CELLF-E		Lamps (Ta=25°C)
wattage	colour	weight	code	weight	code	Kelvin - ølm - Ra
FL 2x24	white	4.80	154010-00	5.50	154010-07	4000K - 1750lm - Ra 1b
FL 2x28	white	7.50	154011-00	8.20	154011-07	4000K - 2600lm - Ra 1b
FL 2x54	white	7.50	154012-00	8.40	154012-07	4000K - 4450lm - Ra 1b
FLC 2x55L	white	4,80	154013-00			4000K - 4800lm - Ra 1b



Housing: Made of sheet steel

Reflector: white aluminium.

Diffuser: with micro-perforated sheet steel; supplied with anti-glare opal plate.

Coating: Housing and reflector painted with UV-stabilised white polyester powder coating.

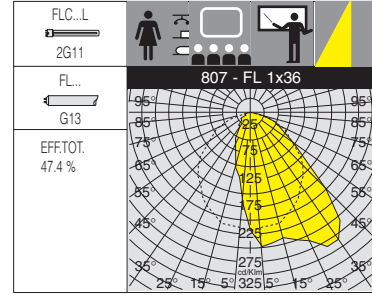
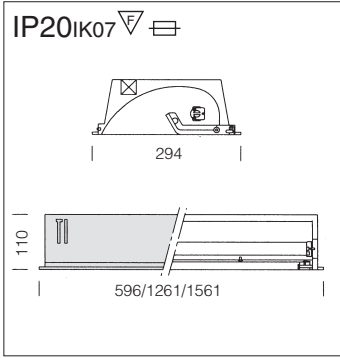
Electric gear: 230V/50Hz power supply: Hard wire, cross section 0.50 sqmm, and high-temperature resistant (up to 90°C) PVC-HT sheath, in accordance with CEI 20-20 standards. 2P + T terminal block (maximum allowed lead cross section 2.5 sqmm.).

Equipment: 3,15A protection fuse. Supplied with 1.5m cable with plug.

Supplied without brackets: when not contact mounted, use brackets acc. 900. See page 30.

Emergency versions: on request, versions with 3 hour emergency duration.

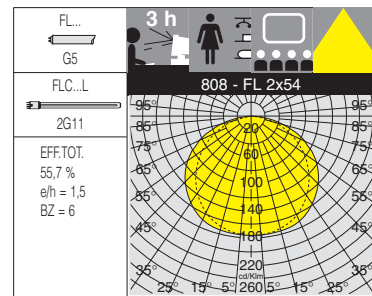
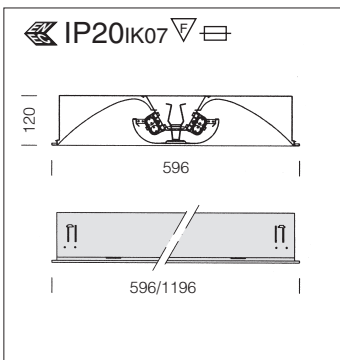
805 Airone						
		CELL-F		CELLF-E		Lamps (Ta=25°C)
wattage	colour	weight	code	weight	code	Kelvin - ølm - Ra
FLC 2x55L	white	7.00	153112-00	7,70	153112-09	4000K - 4800lm - Ra 1b



Housing: made of sheet steel.
Reflector: low luminance anti-iridescence matt aluminium.
Diffuser: protruding semi-sphere in micro-perforated sheet metal, with polycarbonate end caps.
Coating: housing and reflector acrylic anionic electrocoating, UV-stabilized.
Electric gear: 230V/50Hz power supply: Hard wire, cross section 0.50 sqmm, and high-temperature resistant (up to 90°C) PVC-HT sheath, in accordance with CEI 20-20 standards. 2P + T terminal block (maximum allowed lead cross section 2.5 sqmm).
Equipment: 3,15A protection fuse. Supplied with 1.5m cable with plug.
Supplied without brackets: when not contact mounted, use brackets acc. 900. See page 30.
Emergency versions: on request, versions with 3 hour emergency duration.

807 Wallwasher - asymmetric						
		CNR-F		CELL-F		Lamps (Ta=25°C)
wattage	colour	weight	code	weight	code	Kelvin - ølm - Ra
FL 1x36	white	6.80	153124-00			
FL 1x58	white	8.80	153125-00			
FLC 1x55L	white			3.00	153122-00	4000K - 4800lm - Ra 1b

Recessed dimension for panel installation: **FLC 1x55:** 294x596



Housing: made of sheet steel.
Reflector: white aluminium.
Diffuser: protruding semi-sphere in micro-perforated sheet metal.
Equipment: 6.3A protection fuse.

808 Gabbiano								
		CNR-L-F		CELL-F		CELL-F-E		Lamps (Ta=25°C)
wattage	colour	weight	code	weight	code	weight	code	Kelvin - ølm - Ra
FLC 2x55L	white			5.10	153021-00	6.00	153021-07	4000K - 4800lm - Ra 1b
FL 2x54	white			5.00	153024-00	5.90	153024-09	4000K - 4450lm - Ra 1b
FLC 2x36L	white	6.00	153020-00					4000K - 2900lm - Ra 1b

Recessed dimension for panel installation: **FLC 2x55:** 573x573 - **FLC 2x54:** 573x1173
Supplied without brackets: when not contact mounted, use brackets acc. 900. See page 30.