

823 Comfort- high-gloss optical 99,99

		CEL-F	
wattage	colour	weight	code
FL 2x18	white	1.50	153530-08
FL 2x36	white	3.20	153531-08
FL 2x58	white	5.00	153532-08

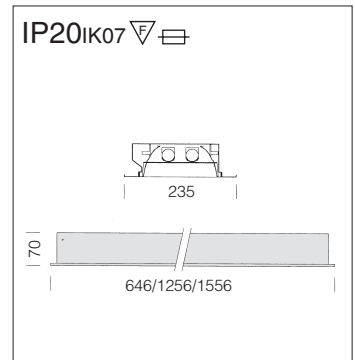
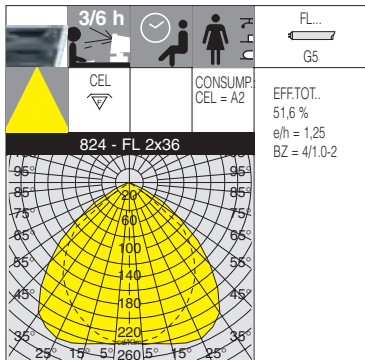
For shocks step 200. Measures:
 2x18 = A 235, B 646, H 70, C 190, D 615
 2x36 = A 235, B 1256, H 70, C 190, D 1225
 2x58 = A 235, B 1556, H 70, C 190, D 1555

Housing: Made of sheet steel.
Dark light louvre: double parabolic louvres, in high-gloss 99.99 aluminium, anti-glare and anti-iridescence, very low luminance, PVD treatment to improve luminous efficiency.

Coating: acrylic anionic electro-coating, white, UV-stabilized.

Electric gear: 230V/50Hz power supply: Hard wire, cross section 0.50 sqmm, and high-temperature resistant (up to 90°C) PVC-HT sheath, in accordance with CEI 20-20 standards. 2P + T terminal block (maximum allowed lead cross section 2.5 sqmm.)

Equipment: 3,15A protection fuse
Supplied without brackets for contact mounting on the cross T structure. When not contact mounted, use brackets acc. 128. See pag. 30.



824 Comfort - matt optical 99,99

		CEL-F	
wattage	colour	weight	code
FL 2x18	white	1.50	153630-08
FL 2x36	white	3.20	153631-08
FL 2x58	white	5.00	153632-08

For shocks step 200. Measures:
 2x18 = A 235, B 646, H 70, C 190, D 615
 2x36 = A 235, B 1256, H 70, C 190, D 1225
 2x58 = A 235, B 1556, H 70, C 190, D 1555

Dark light louvre: double parabolic louvres, in matt 99.99 aluminium, anti-glare and anti-iridescence, very low luminance, PVD treatment to improve luminous efficiency.

Supplied without brackets for contact mounting on the cross T structure. When not contact mounted, use brackets acc. 128. See pag. 30.

