

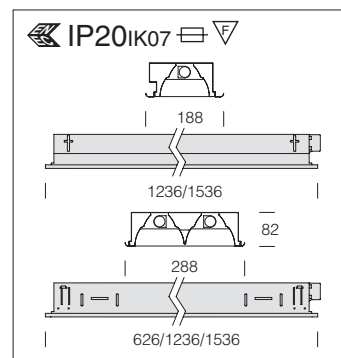
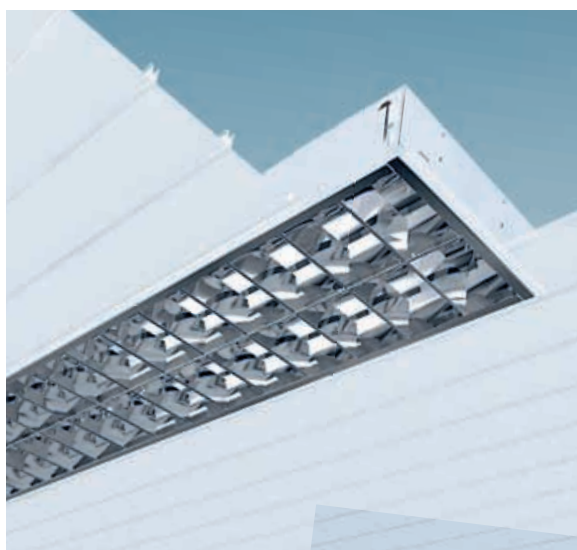
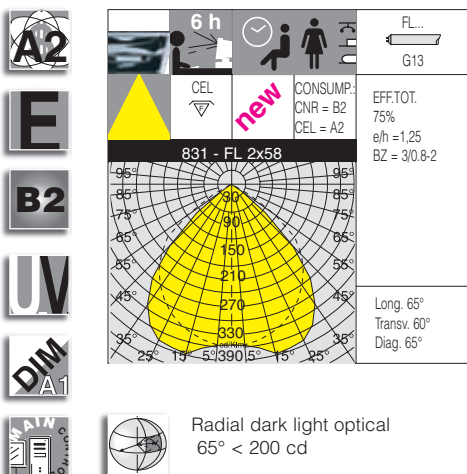
Housing: galvanized steel stove pre-enameled.

Dark light louvre: double parabolic louvres, in high-gloss 99.99 aluminium, anti-glare and anti-iridescence, very low luminance, PVD treatment to improve luminous efficiency.

874 Comfort T8 - high-gloss optical 99,99 wide beam

		CNR-F		CNR-E		CEL-F		CEL-F-E	
wattage	colour	weight	code	weight	code	weight	code	weight	code
FL 1x36	white	3.60	151301-00	4.20	151301-07	3.40	151301-08	4.00	151301-09
FL 1x58	white	4.60	151302-00	5.20	151302-07	4.00	151302-08	4.60	151302-09
FL 2x18	white	2.80	151303-00	3.40	151303-07	2.60	151303-08		
FL 2x36	white	5.00	151304-00	5.60	151304-07	4.20	151304-08	4.80	151304-09
FL 2x58	white	6.40	151305-00	7.00	151305-07	5.00	151305-08	5.60	151305-09
FL 3x18	white	4.60	151306-00	5.10	151306-07	3.90	151306-08	4.50	151306-09
FL 4x18	white	4.90	151307-00	5.40	151307-07	4.00	151307-08	4.60	151307-09

Supplied without brackets: when not contact mounted, see scheme on page 30.



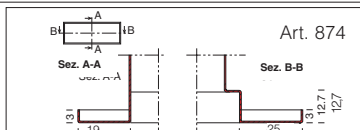
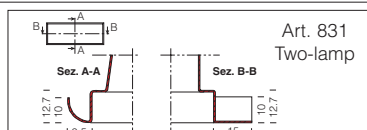
Housing: galvanized steel stove pre-enameled using.

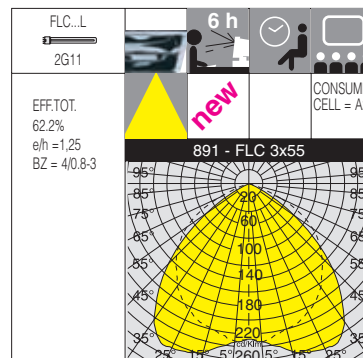
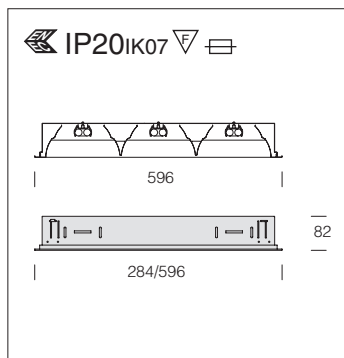
Dark light louvre: double parabolic louvres, in high-gloss 99.99 aluminium, anti-glare and anti-iridescence, very low luminance, PVD treatment to improve luminous efficiency.

831 Comfort T8 - high-gloss optical 99,99 narrow beam

		CNR-F		CNR-E		CEL-F		CEL-F-E	
wattage	colour	weight	code	weight	code	weight	code	weight	code
FL 1x36	white	3.60	150901-00	4.20	150901-07	3.40	150901-08	4.00	150901-09
FL 1x58	white	4.60	150902-00	5.20	150902-07	4.00	150902-08	4.60	150902-09
FL 2x18	white	2.80	150903-00						
FL 2x36	white	5.00	150904-00	5.60	150904-07	4.20	150904-08	4.80	150904-09
FL 2x58	white	6.40	150905-00	7.00	150905-07	5.00	150905-08	5.60	150905-09

Supplied without brackets: when not contact mounted, see scheme on page 30.





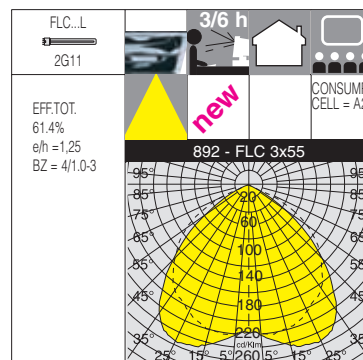
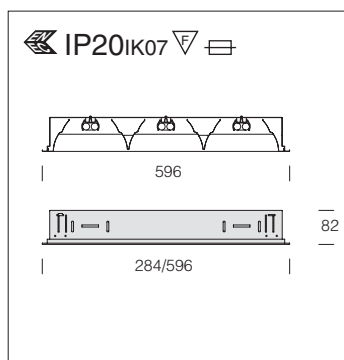
Housing: galvanized steel stove pre-enamelling using white polyester resin.

Dark light louvre: double parabolic louvres, in high-gloss 99.85 aluminium, anti-glare and anti-iridescence.

891 Attiva - high-gloss optical 99,85

		CELL-F		CELLF-E		Lamps (Ta=25°C)
wattage	colour	weight	code	weight	code	Kelvin - ølm - Ra
FLC 3x55	white	4.10	151846-00	4.70	151846-07	4000K - 4800lm - Ra 1b

Supplied without brackets: when not contact mounted, use brackets acc. 901.



Housing: galvanized steel stove pre-enamelling using white polyester resin.

Dark light louvre: double parabolic louvres, in matt aluminium, anti-glare and anti-iridescence.

892 Attiva - matt optical

		CELL-F		CELLF-E		Lamps (Ta=25°C)
wattage	colour	weight	code	weight	code	Kelvin - ølm - Ra
FLC 3x55	white	4.10	151946-00	4.70	151946-07	4000K - 4800lm - Ra 1b

Supplied without brackets: when not contact mounted, use brackets acc. 901.