

Pio Nemanjina - Serbia



Allonzier la Caille (Francia)



Housing: in steel sheet.

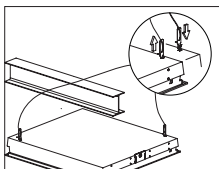
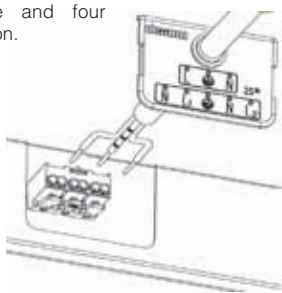
Coating: acrylic anionic electro-coating, white, UV-stabilized.

Electric gear: Automatic line and 100% tested on the line. 230V/50Hz (CNR) power supply. Hard wire, 0.50 sq mm cross section and PVC-HT sheath, resistant up to 90°, according to CEI 20-20 standards. Quick connector +T, maximum allowed lead cross section: 2.5 sq mm.

Equipment: snap fastening optics, which remain attached by safety cords. 6.3A protection fuse for the 873 and 875 versions.

Supplied without brackets for contact mounting on the cross T structure. When not contact mounted, use brackets acc. 901. See page 30.

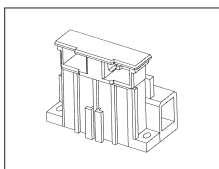
only available in the two, three and four lamp version.



acc. 320 safety cord

998004

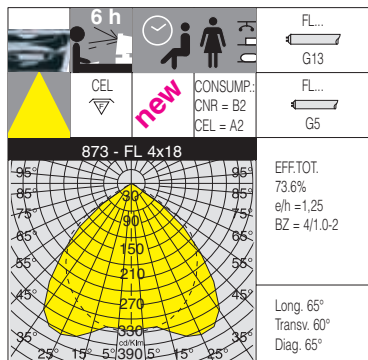
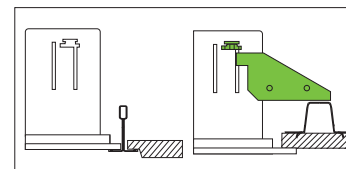
Steel safety cord.



acc. 203 fuse

984814

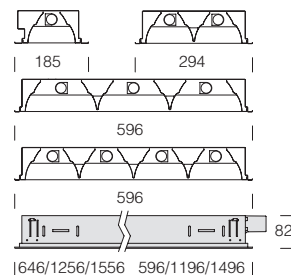
3,15A fuse. With fuse holder to be installed inside the fixture.



Radial dark light optical
65° < 200 cd



IP20 IK07

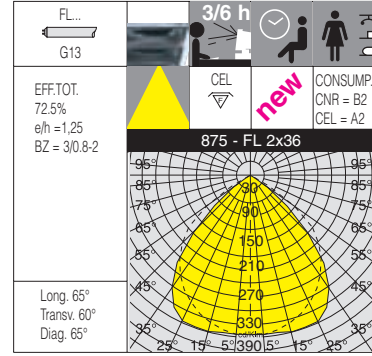
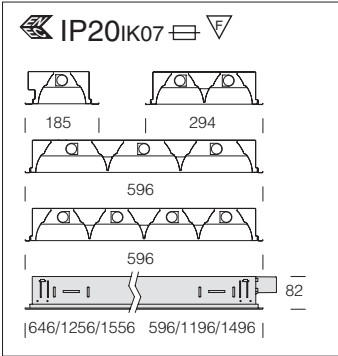


Dark light louvre: double parabolic louvres, in high-gloss 99.99 aluminium, anti-glare and anti-iridescence, very low luminance, PVD treatment to improve luminous efficiency.

873 Comfort T8 - high-gloss optical 99,99

		CNR-F		CNR-F-E		CEL-F		CEL-F-E		SHOOKS	PANELS
wattage	colour	weight	code	weight	code	weight	code	weight	code		
FL 1x18	white	2.00	151000-00							•	
FL 1x36	white	3.60	151001-00	4.20	151001-07	3.40	151001-08	4.00	151001-09	•	
FL 1x58	white	4.50	151002-00	5.10	151002-07	4.00	151002-08	4.60	151002-09	•	
FL 2x18*	white	2.70	151003-00	3.30	151003-07*	2.50	151003-08	3.10	151003-09*	•	•
FL 2x36	white	4.90	151004-00	5.50	151004-07	4.10	151004-08	4.70	151004-09	•	•
FL 2x58	white	6.30	151005-00	6.90	151005-07	4.90	151005-08	5.50	151005-09	•	
FL 3x18	white	4.50	151006-00	5.10	151006-07	3.90	151006-08	4.40	151006-09	•	•
FL 3x36	white	8.00	151007-00	8.60	151007-07	7.00	151007-08	7.60	151007-09	•	•
FL 4x18	white	4.80	151008-00	5.40	151008-07	4.00	151008-08	4.60	151008-09	•	•
FL 4x36	white	8.70	151009-00	9.30	151009-07	7.20	151009-08	7.80	151009-09	•	•

* version 2x18 CNRF-E/CEL-F-E for use with acc. 898. On request: version FL 4x14 CELL supplied with T5 lamps



Dark light louvre: double parabolic louvres, in matt 99.99 aluminium, anti-glare and anti-iridescence, very low luminance, PVD treatment to improve luminous efficiency.

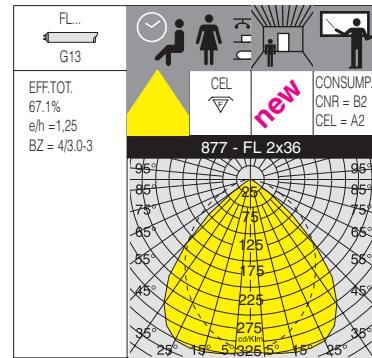
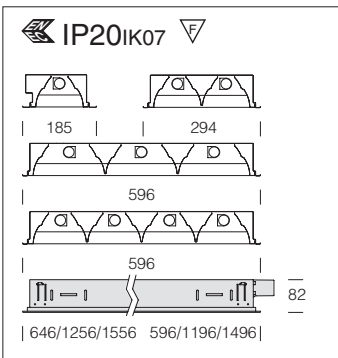
Radial dark light optical
65° < 500 cd



875 Comfort T8 - matt optical 99,99

		CNR-F		CNR-E		CEL-F		CEL-F-E		SHOOKS	PANNELS
wattage	colour	weight	code	weight	code	weight	code	weight	code		
FL 1x18	white	2.00	151100-00							•	
FL 1x36	white	3.60	151101-00	4.20	151101-07	3.40	151101-08	4.00	151101-09	•	
FL 1x58	white	4.50	151102-00	5.10	151102-07	4.00	151102-08	4.60	151102-09	•	
FL 2x18	white	2.70	151103-00	3.30	151103-07*	2.50	151103-08	3.10	151103-09*	•	•
FL 2x36	white	4.90	151104-00	5.50	151104-07	4.10	151104-08	4.70	151104-09	•	•
FL 2x58	white	6.30	151105-00	6.90	151105-07	4.90	151105-08	5.50	151105-09	•	•
FL 3x18	white	4.50	151106-00	5.10	151106-07	3.90	151106-08	4.40	151106-09	•	•
FL 3x36	white	8.00	151107-00	8.60	151107-07	7.00	151107-08	7.60	151107-09	•	•
FL 4x18	white	4.80	151108-00	5.40	151108-07	4.00	151108-08	4.60	151108-09	•	•
FL 4x36	white	8.70	151109-00	9.30	151109-07	7.20	151109-08	7.80	151109-09	•	•

* version 2x18 CNRF-E/CEL-F-E for use with acc. 898



Louvre: In scored matt aluminium with wide light distribution.

877 Comfort T8 - matt scored optical

		CNR		CNR-E		CEL		CEL-E		SHOOKS	PANNELS
wattage	colour	weight	code	weight	code	weight	code	weight	code		
FL 1x18	white	2.20	151200-00							•	
FL 1x36	white	3.60	151201-00	4.20	151201-07	3.40	151201-08	4.00	151201-09	•	
FL 1x58	white	4.50	151202-00	5.10	151202-07	4.00	151202-08	4.60	151202-09	•	
FL 2x18	white	2.70	151203-00	3.30	151203-07*	2.50	151203-08			•	•
FL 2x36	white	4.90	151204-00	5.40	151204-07	4.10	151204-08	4.70	151204-09	•	•
FL 2x58	white	6.30	151205-00	6.90	151205-07	4.90	151205-08	5.50	151205-09	•	•
FL 3x18	white	4.40	151206-00	5.00	151206-07	3.80	151206-08	4.40	151206-09	•	•
FL 3x36	white	7.90	151207-00	8.50	151207-07	6.50	151207-08	7.50	151207-09	•	•
FL 4x18	white	4.70	151208-00	5.30	151208-07	4.30	151208-08	4.50	151208-09	•	•
FL 4x36	white	8.60	151209-00	9.20	151209-07	7.10	151209-08	7.70	151209-09	•	•

* version 2x18 CNR-E for use with acc. 898