

0.25W~ x 4 → 1W = 11lm

Housing: vandal resistant fibreglass nylon.
Frame: die-cast aluminium
Diffuser: impact and thermal shock resistant tempered glass.
Life: 50000h (from -30° to +75° C - Ta=25°C).

1622 Starled - round - wall and floor version

		S+L		Beam angle	W tot	Luminous flux	Light colour
wattage	colour	weight	code				
1W LED white	s. silver	0.25	530690-00	120°	1W	11 lm tot.	6000K
1W LED white	graphite	0.25	530691-00	120°	1W	11 lm tot.	6000K
1W LED blue	s. silver	0.25	530690-71	120°	1W	4,5 lm tot.	
1W LED red	s. silver	0.25	530690-72	120°	1W	21,5 lm tot.	
1W LED yellow	s. silver	0.25	530690-73	120°	1W	11,5 lm tot.	
1W LED green	s. silver	0.25	530690-74	120°	1W	9 lm tot.	
1W LED blue	graphite	0.25	530691-71	120°	1W	4,5 lm tot.	
1W LED red	graphite	0.25	530691-72	120°	1W	21,5 lm tot.	
1W LED yellow	graphite	0.25	530691-73	120°	1W	11,5 lm tot.	
1W LED green	graphite	0.25	530691-74	120°	1W	9 lm tot.	

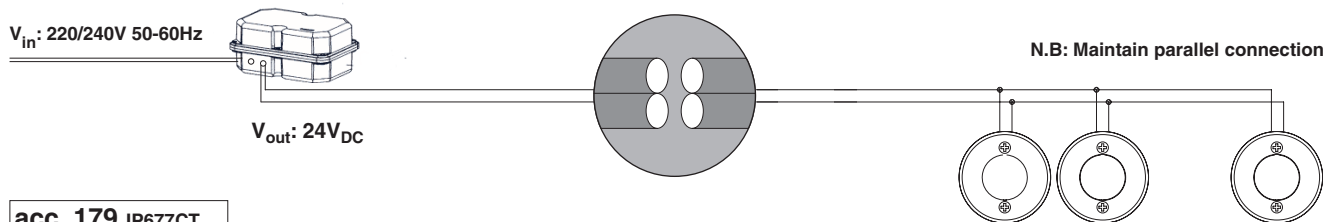
Supplied with 1 module 4 led (P=1W total).

Electric gear

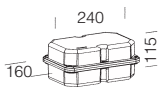
COD. 997663-00
Ballast in IP65 box

WIRE SECTION
with FG70R 1,5mm² cable -
up to 50m with P=10W

MIN 1W - MAX 10W
(max 9 spotlights)



acc. 179 IP677CT



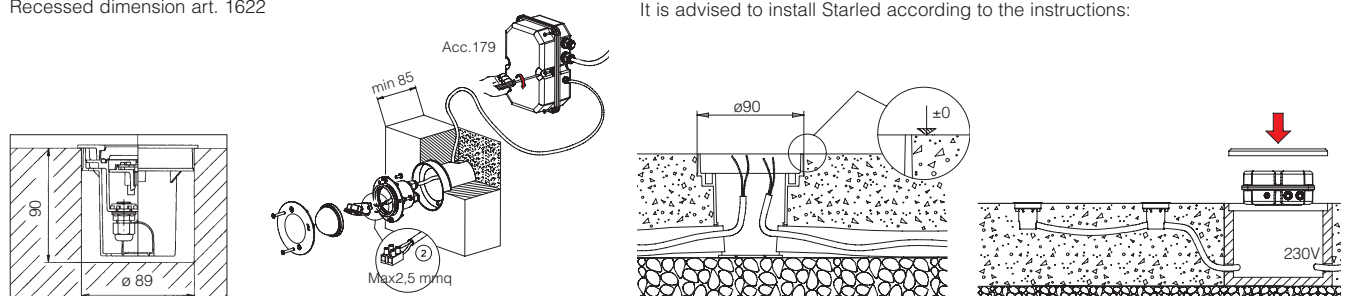
CODE	VOLTAGE in	CURRENT V _{DC} out	min. no. spotlights	max no. spotlights	Watt
997663-00	220-240V 50/60Hz	24V	1	9	10

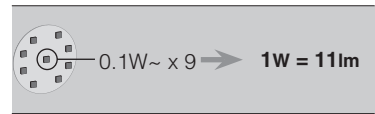
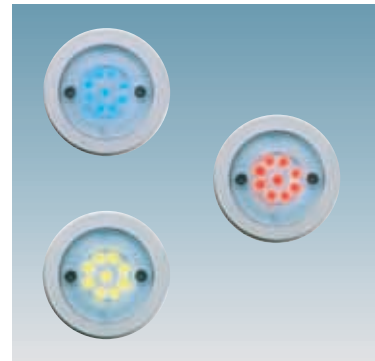
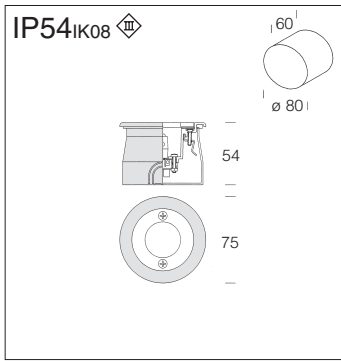
Transformer, code 997660, should be purchased if the luminaire is used without a watertight box.

Installation example

Recessed dimension art. 1622

It is advised to install Starled according to the instructions:





Housing: vandal resistant fibreglass nylon.

Diffuser: impact and thermal shock resistant tempered glass.

Life: 50000h (from -30° to +75° C - Ta=25°C).



1618 Mini - LED - wall version

		S+L		Beam angle	W tot	Luminous flux	Light colour
wattage	colour	weight	code				
1W LED white	s. silver	0.10	530674-00	120°	1W	11 lm tot.	6000K
1W LED blue	s. silver	0.10	530674-71	120°	1W	4,5 lm tot.	
1W LED red	s. silver	0.10	530674-72	120°	1W	21,5 lm tot.	
1W LED yellow	s. silver	0.10	530674-73	120°	1W	11,5 lm tot.	
1W LED green	s. silver	0.10	530674-74	120°	1W	9 lm tot.	

Supplied with 1 module 9 led P=1W total.

Electric gear

COD. 997660-00
Transformer for LED

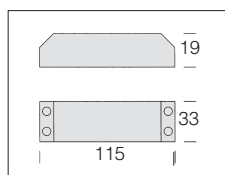
WIRE SECTION
1,5 mm² P=10W max 50m

MIN 1W - MAX 10W
(max 9 spotlights)

V_{in}: 220-240V 50/60Hz

V_{out}: 24V_{DC}

N.B: Maintain parallel connection

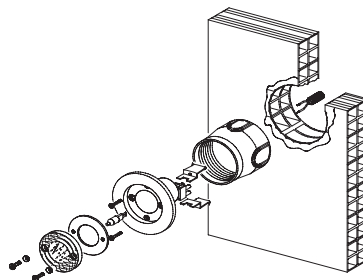


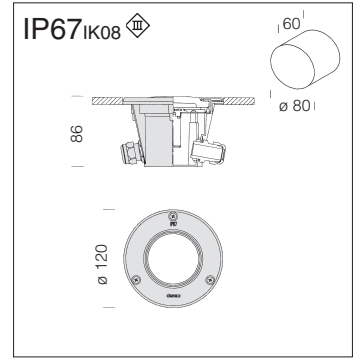
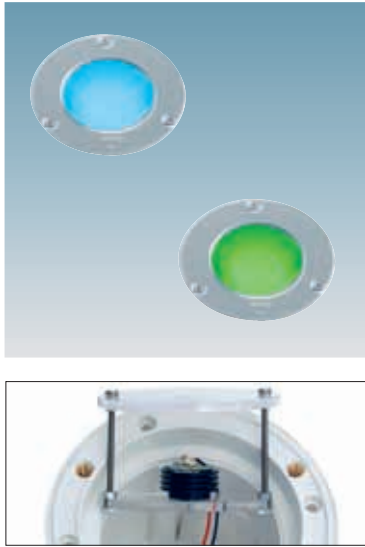
CODE	VOLTAGE in	CURRENT V _{DC} out	min. no. spotlights	max no. spotlights	Watt
997660-00	220-240V 50/60Hz	24V	1	9	10

Transformer for LED lights, code 997663. Should be purchased if the luminaire is used with IP67 watertight box.

Installation example

It is advised to install Mini according to the instructions:

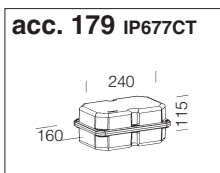
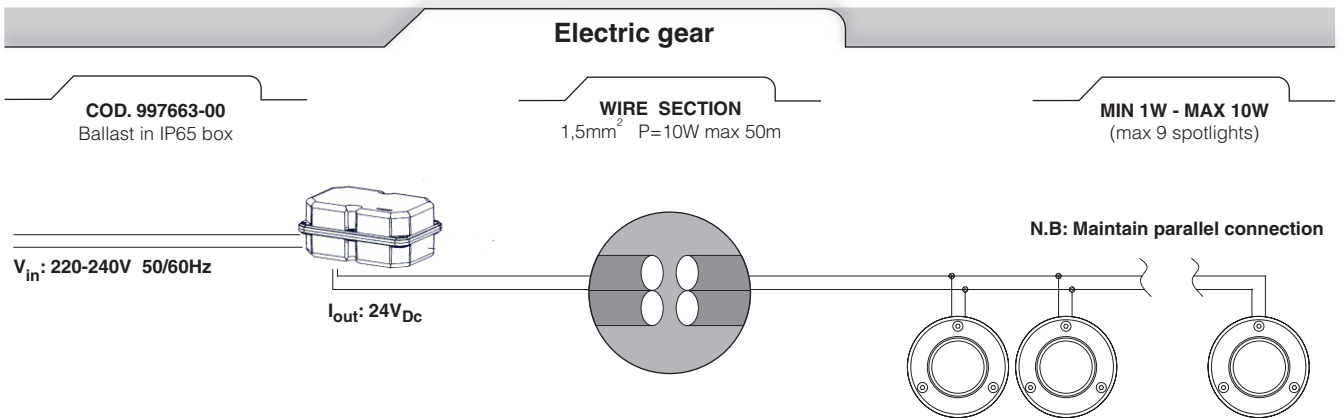




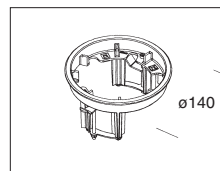
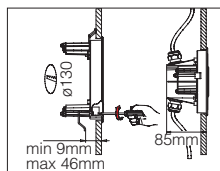
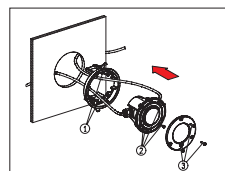
Housing: fibreglass nylon with AISI 316L.
Frame: made of stainless steel AISI 316.
Diffuser: impact and thermal shock resistant tempered glass.
Life: 50000h (from -30° to +75° C - Ta=25°C).

1650 Microfloor - LED								
		S+L		Beam angle	W tot	temperature	Flux luminous	Light colour
wattage	colour	weight	code			max temp. on glass		
1W LED white	stainless steel	0.40	530810-00	120°	1W	35°C	11 lm tot.	6000K
1W LED blue	stainless steel	0.40	530810-71	120°	1W	35°C	4,5 lm tot.	
1W LED red	stainless steel	0.40	530810-72	120°	1W	35°C	21,5 lm tot.	
1W LED yellow	stainless steel	0.40	530810-73	120°	1W	35°C	11,5 lm tot.	
1W LED green	stainless steel	0.40	530810-74	120°	1W	35°C	9 lm tot.	

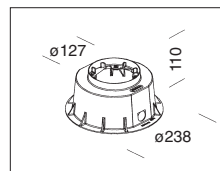
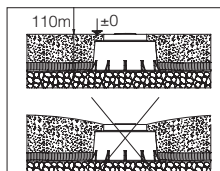
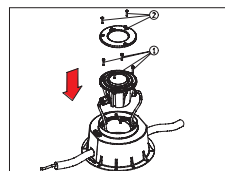
Supplied with 1 module led P=1W.



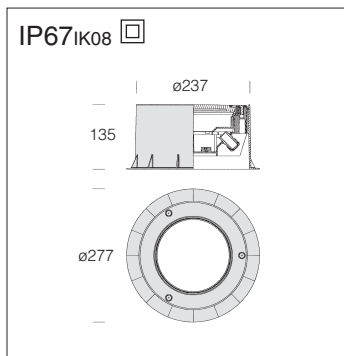
CODE	VOLTAGE in	CURRENT V _{DC} out	min. no. spotlights	max. no. spotlights	Watt
997663-00	220-240V 50/60Hz	24V	1	9	10



acc. 314 - chassis
993926
To install Microfloor on the wall.



acc. 313 - outer shell
993925
To install Microfloor into the ground.



Housing: fibreglass aluminium with AISI 316L.

Diffuser: Smooth, clear tempered glass protection, thickness 5 mm, resistant to thermal shock and impact.

Life: 50000h (from -30° to +75° C - Ta=25°C).



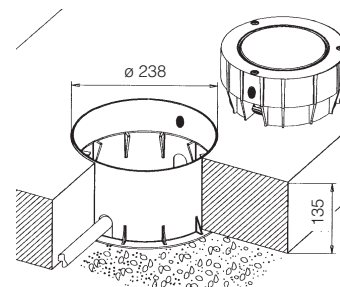
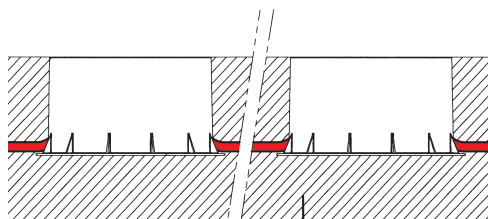
1643 Minifloor - LED

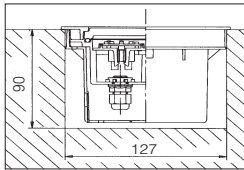
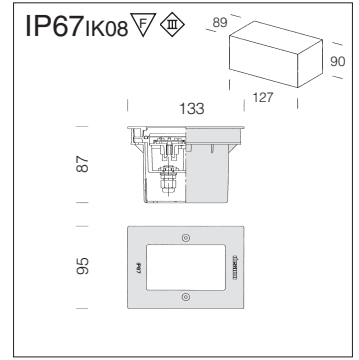
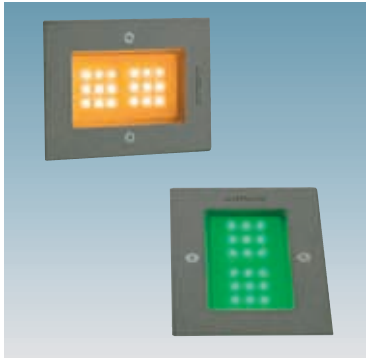
wattage	colour	S+L		W tot	temperature and load			Flux luminous	Light colour	
		weight	code		max temp. on glass		max load kg			can be walked on
					ta 25°	ta 15°				
5W LED white	stainless steel	2.50	530745-00	5x1W	40°	30°	1000	OK	5x11 lm tot.	6000K
8W LED linear	stainless steel	2.50	530746-00	8x1W	40°	30°	1000	OK	8x11 lm tot.	6000K
8W LED circoular	stainless steel	2.50	530747-00	8x1W	40°	30°	1000	OK	8x11 lm tot.	6000K

Supplied with white LED and ballast version.

Installation example

The outer casing is built to house the inlet pipe in 2 spots.
The wall structure should support a load of 1000 kg without strain.





Recessed dimensions art. 1623

Housing: vandal resistant fibre-glass nylon.
Frame: die-cast aluminium.
Diffuser: frosted glass, resistant to impact and thermal shock.
Life: 50000h (from -30° a +75°C - Ta=25°C)

1623 Starled - rectangle with LED

wattage	colour	S+L		S+L - coloured LED		Luminous flux	Light colour
		weight	code	weight	code		
2W LED white	s. silver	0.25	530692-00			2x11 lm tot.	6000K
2W LED white	graphite	0.25	530693-00			2x11 lm tot.	6000K
2W LED blue	s. silver			0.25	530692-71	2x4,5 lm tot.	
2W LED red	s. silver			0.25	530692-72	2x21,5 lm tot.	
2W LED yellow	s. silver			0.25	530692-73	2x11,5 lm tot.	
2W LED green	s. silver			0.25	530692-74	2x9 lm tot.	
2W LED blue	graphite			0.25	530693-71	4,5 lm tot.	
2W LED red	graphite			0.25	530693-72	21,5 lm tot.	
2W LED yellow	graphite			0.25	530693-73	11,5 lm tot.	
2W LED green	graphite			0.25	530693-74	9 lm tot.	

Supplied with 2 modules by 9 led P=1W each.

Electric gear

COD. 997663-00
Ballast in IP65 box

WIRE SECTION
1,5mm² P=10W max 50m

MIN 1W - MAX 10W
(max 5 spotlights)

N.B: Maintain parallel connection

$V_{in}: 220-240V\ 50/60Hz$

$V_{out}: 24VDC$

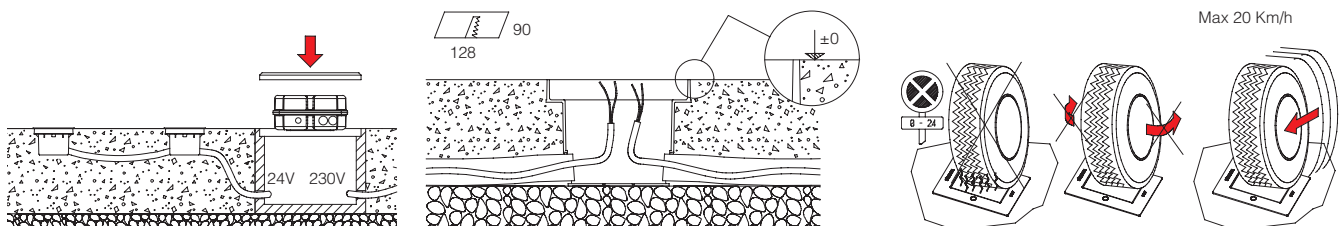
acc. 179 IP67CT

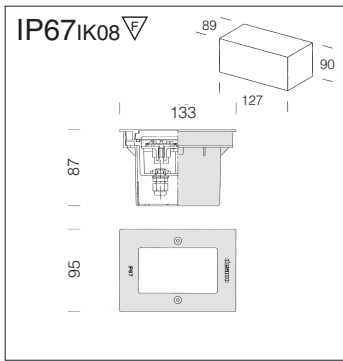
CODE	VOLTAGE in	CURRENT V _{DC} out	min. no. spotlights	max no. spotlights	Watt
997663-00	220-240V 50/60Hz	24V	1	5	10

Transformer, code 997660, should be purchased if the luminaire is used without a watertight box.

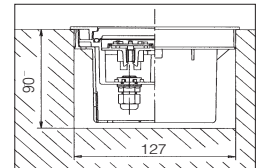
Installation example

It is advised to install Starled according to the instructions:





Recessed dimensions art. 1623



Housing: vandal resistant fibre-glass nylon.

Frame: die-cast aluminium.

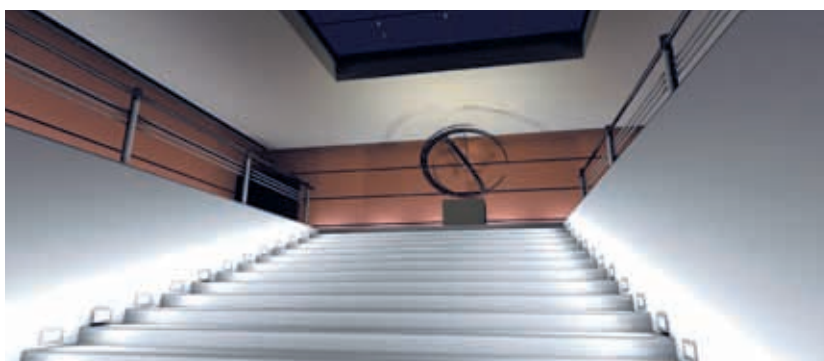
Diffuser: frosted glass, resistant to impact and thermal shock.

Life: 50000h (from -30° a +75°C - Ta=25°C).

1623 Starled 230V - rectangle with LED

		CTL		Luminous flux	Light colour
wattage	colour	weight	code		
2,5W LED white	graphite	0.25	530696-00	11 lm tot.	6000K
2,5W LED white	s. silver	0.25	530697-00	11 lm tot.	6000K

Supplied with 1 module by 18 led, P 2,5W, runs on 220-240v 50/60Hz voltage with built-in power supplier.



LED - RGB MUTANTI