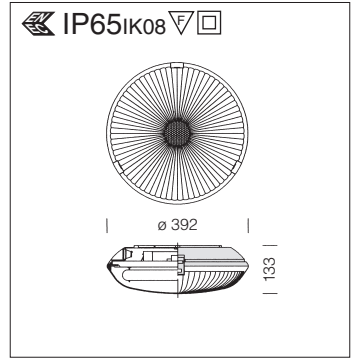


FC = G10q

EFF= upp.8,9 %  
low. 62,6%  
tot. 71,5%  
e/h = 1,5  
BZ = 7/3,0-8



**Housing:** vandal resistant, self-extinguishing, UV-stabilised, anti-yellowing treated RAL 7035 grey polycarbonate.

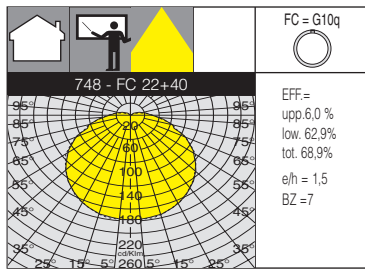
**Diffuser:** vandal resistant, V2 self-extinguishing, UV-stabilised clear polycarbonate, anti-glare frosted inside; smooth, dust-proof outside.

**Reflector Oblò:** reflecting white colour polycarbonate.

**Electric gear:** 230V/50Hz power supply.

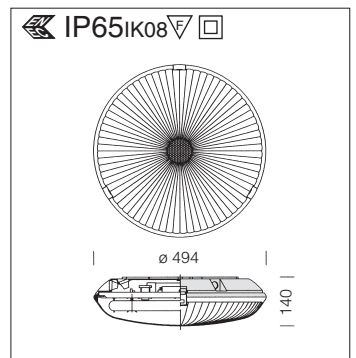
**Emergency version:** in maintained version. In the event of a black-out a single lamp connected to the back-up circuit stays on. Run time 60 minutes.

747 Oblò				
		CNRL-E		Lamps (Ta=25°C)
wattage	colour	weight	code	Kelvin - ølm - Ra
FC 32	grey	3.20	112631-07	4000K - 2100lm - Ra 1b



FC = G10q

EFF= upp.6,0 %  
low. 62,9%  
tot. 68,9%  
e/h = 1,5  
BZ = 7



**Housing:** vandal resistant, self-extinguishing, UV-stabilised, anti-yellowing treated RAL 7035 grey polycarbonate.

**Diffuser:** vandal resistant, V2 self-extinguishing, UV-stabilised clear polycarbonate, anti-glare frosted inside; smooth, dust-proof outside.

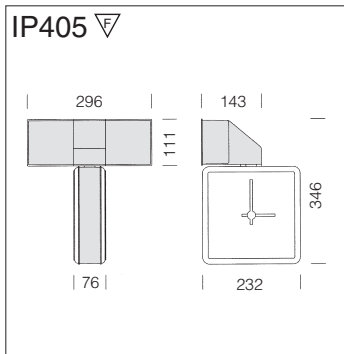
**Reflector Oblò:** reflecting white colour polycarbonate.

**Electric gear:** 230V/50Hz power supply.

**Emergency version:** in maintained version. In the event of a black-out a single lamp connected to the back-up circuit stays on. Run time 60 minutes.

748 Oblò				
		CNRL-E		Lamps (Ta=25°C)
wattage	colour	weight	code	Kelvin - ølm - Ra
FC 22+40	grey	5.00	112641-07	2100lm - 2800lm - Ra 1b

In emergency: 22Watt version only.

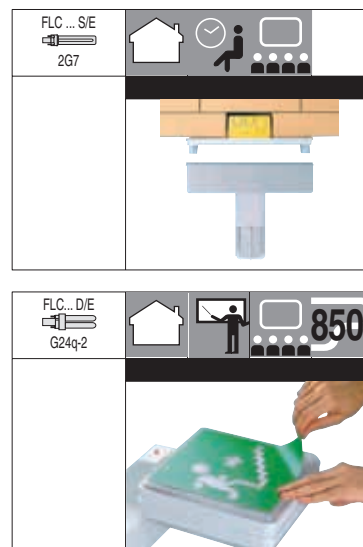


**Housing:** vandal resistant, self-extinguishing, UV-stabilised, anti-yellowing treated RAL 7035 grey polycarbonate.

**Diffuser:** vandal resistant, V2 self-extinguishing, UV-stabilised clear polycarbonate, anti-glare frosted inside; smooth, dust-proof outside.

**Electric gear:** 230V/50Hz power supply with "maintained version" emergency kit. In the event of a black-out a single lamp connected to the back-up circuit stays on. Run time 60 minutes. Hard wire, cross section 0.50 sqmm, and high-temperature resistant (up to 90°C) PVC-HT sheath, in accordance with CEI 20-20 standards. 2P+T terminal block (maximum allowed lead cross section 2.5 sqmm.).

**Standard supply:** versatile mounting for installation on ceilings, walls or other surfaces. Diffuser rotation: 0° to 330°.



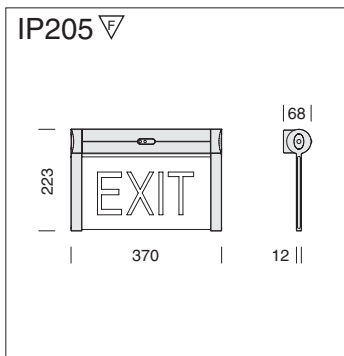
626 Segno - with EM clock						
		CNL-E		Auto self-test		Lamps (Ta=25°C)
wattage	colour	weight	code	weight	code	Kelvin - ølm - Ra
FLC 1x11S/E	grey	2.60	112550-00	2.60	112550-0066	4000K - 900lm

Supplied with pictograph and quartz clock on both sides. Diffuser rotation: from 0° to 330°.

626 Segno - with EM warning sign						
		CNL-E		Auto self-test		Lamps (Ta=25°C)
wattage	colour	weight	code	weight	code	Kelvin - ølm - Ra
FLC 1x11S/E	grey	2.50	112551-00	2.60	112551-0066	4000K - 900lm

With emergency kit in SA "maintained version". Diffuser rotation: from 0° to 330°.

**Emergency gear:** In the event of a black-out only one lamp connected to the emergency circuit will stay on, thus avoiding the inconvenience caused by a sudden absence of all light. It has a 60-minute emergency run time. When power is restored, the battery recharges automatically.

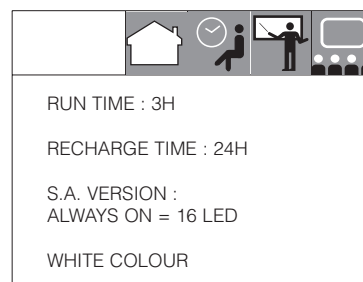


**Housing:** vandal resistant, self-extinguishing, UV-stabilised, anti-yellowing treated polycarbonate.

**Diffuser:** in plexiglass.

**Electric gear:** 230V/50Hz power supply with "maintained version" emergency kit. In the event of a black-out a single lamp connected to the back-up circuit stays on. Run time 60 minutes. Hard wire, cross section 0.50 sqmm, and high-temperature resistant (up to 90°C) PVC-HT sheath, in accordance with CEI 20-20 standards. 2P+T terminal block (maximum allowed lead cross section 2.5 sqmm.).

**Emergency S.A:** the lamp connected to the emergency circuit remains energised in the event of a "black-out", thereby avoiding inconvenience due to any sudden lack of lighting. The system has an autonomy of 180 minutes



620 LedEm - with LED				
				Lamps
wattage	colour	weight	code	
LED white	white	2.50	112580-00	16 LED colour white.

Complete with "emergency exit" pictogram and inspection LED.

acc. 357 labels art. 620	
left/right out	995227
exit	995228

Self-adhesive pictograms visible up to 26m. UNI EN1838. **2 per pack**

