



**Power cable trunking:** Carrying profile in extruded aluminium and side end caps in die-cast aluminium, without sharp edges and corners. Self-extinguishing cable trunkings, with separations for high and low power supplies.

**Indirect light luminaires and for reading/medical examination:** Housing in extruded aluminium and side end caps in die-cast aluminium, polished aluminium reflector, vandal resistant antiglare plexiglass diffuser. Equipped with linear or compact fluorescent lamps, one or two-lamp versions.

**Night lighting:** 3 cd tubular lamp, can only be inserted into the luminaire for indirect lighting.

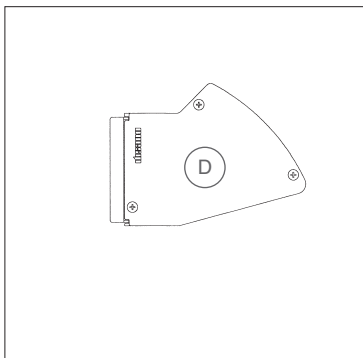
**Medical gases:** Upper channel section designed to mount gas box. Sized according to the number of gas boxes required. Installation at a minimum distance of 50 cm from electric sockets. Disano only supplies a prearranged solution for the installation of medical gas carrier pipes.

**Coating:** White epoxy-polyester powder coating, resistant to corrosive and saline environments (it has passed the UNI ISO 9227 1000 hr test). Available in different RAL colours, on request.

**Mounting:** Installation takes place in two stages:  
 - Fastening of support plates  
 - Positioning of power supply trunking and luminaires.

**Accessories:** The composition of sockets/switch or box can be customised according to the specific needs of the client by using world-class accessories to be chosen by the client.

**Regulations:** products complying with the EN 60598-CEI 34-21; EN 60601-1-CEI62-5, UNI793 CLASSE 1 standards, directive 93/42 EEC. These pages illustrate a number of standard composition proposals for Serena. The standard compositions are offered with only one type of control solution and electric services. Customised solutions can be designed. The lighting fittings used to achieve general indirect lighting and lighting suitable for reading/visiting have been designed as independent lighting units. May be installed directly on a wall, may also be installed on two types of channels, using a simple and quick anchoring system, also after wall mounting and after the channel has been connected electrically.



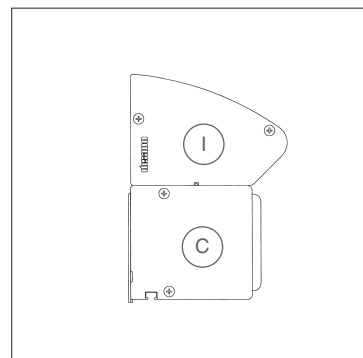
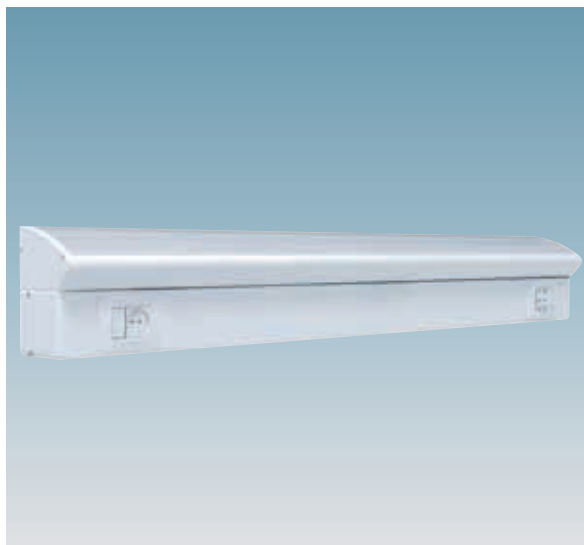
Composition with luminaire for either direct or indirect lighting applications.



409 Wing - direct/indirect light					
		CNR-F		CELL-F	
wattage	colour	weight	code	weight	code
FL1x18	white	2.10	214420-00		
FL2x18	white	2.50	214421-00		
FL1x36	white	2.80	214422-00		
FL2x36	white	3.20	214423-00		
FL1x58	white	3.00	214424-00		
FL2x58	white	3.60	214425-00		
FLC1x55L	white			2.00	214426-00

FLC 1x55L: 4000K - 4800lm - Ra 1b.

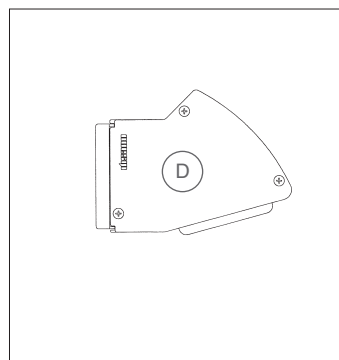
Composition with simple trunking and luminaire with indirect light only. Standard accessories: light control, power sockets, sliding supports.



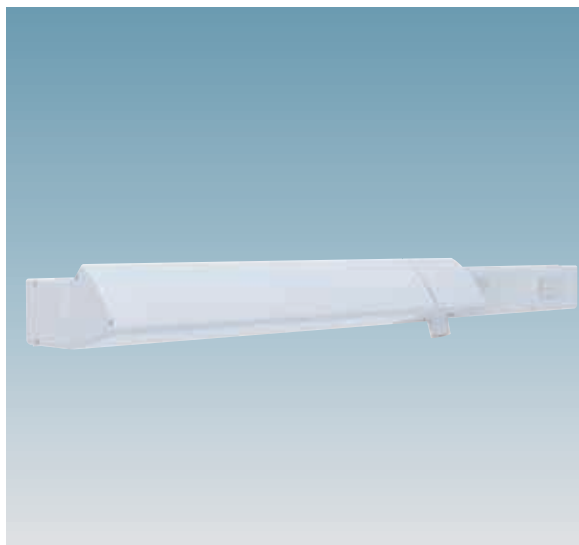
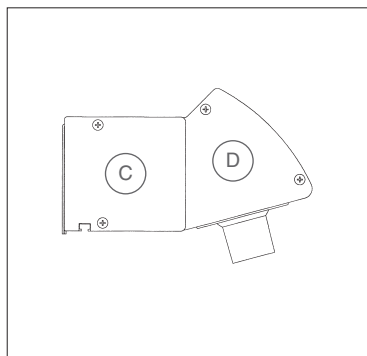
7200 Serena "C+I+F" - indirect light					
		CNR-F		CELL-F	
wattage	colour	weight	code	weight	code
FL1x18 ind.	white	2.10	720010-00		
FL2x18 ind.	white	2.50	720011-00		
FL1x36 ind.	white	2.80	720012-00		
FL2x36 ind.	white	3.20	720013-00		
FL1x58 ind.	white	3.00	720014-00		
FL2x58 ind.	white	3.60	720015-00		
FLC2x55L ind.	white			2.30	720016-00

FLC 1x55L: 4000K - 4800lm - Ra 1b.

Composition with simple trunking and only direct light. Available in two-lamp FL2x18W version only in double circuit. Supplied with switch, light to read, light control, power sockets into free place with end cap.

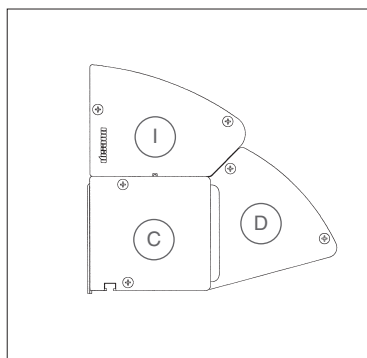


7201 Serena "D+F" - direct light + sockets					
		CNR-F		Lamps	
wattage	colour	weight	code		
FL2x18* direct	white	2.50	720110-00	* double circuit	



Composition with simple trunking and only direct light. Available in one- and two-lamp versions. With provision for installation of swivel spot. Standard accessories: light control, power sockets, sliding supports. The one-lamp version is supplied with an adjustable 20W dichroic spotlight.

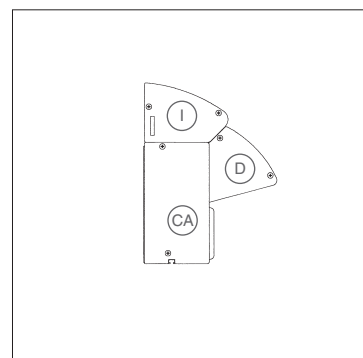
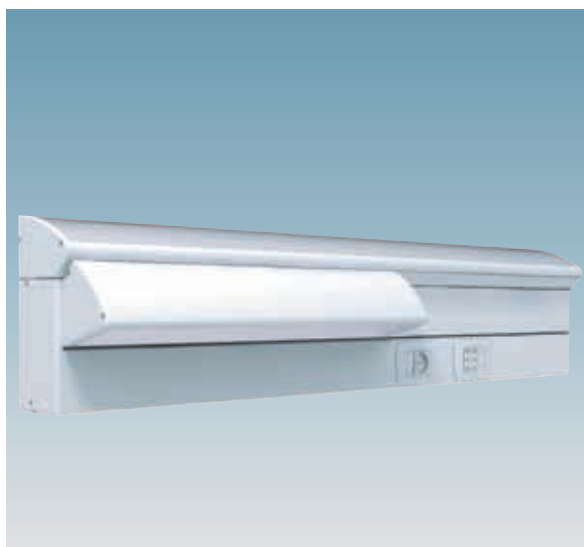
7202 Serena "C+D+F+s" direct light + sockets + spot			
		CNR-F	
wattage	colour	weight	code
FL1x18 + DICR20	white	2.80	720110-00
FL2x18 + DICR20	white	3.10	720211-00



Composition with simple trunking and direct/indirect light luminaire. Available in one- and two-lamp versions. Standard accessories: light control, power sockets, sliding supports.

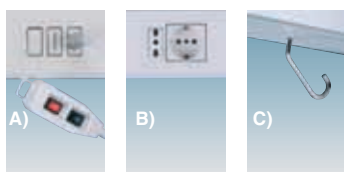
7203 Serena "C+D+I+F" - direct/indirect light + sockets					
		CNR-F		CELL-F	
wattage	colour	weight	code	weight	code
FL1x18 ind.+FL2x18 direct	white	5.10	720310-00		
FL2x18 ind.+FL2x18 direct	white	5.50	720311-00		
FL1x36 ind.+FL2x18 direct	white	5.80	720312-00		
FL2x36 ind.+FL2x18 direct	white	6.20	720313-00		
FL1x58 ind.+FL2x18 direct	white	6.00	720314-00		
FL2x58 ind.+FL2x18 direct	white	6.60	720315-00		
FLC2x55L ind.+FL2x18 direct	white			5.30	720316-00

Composition with high trunking and direct / indirect light luminaire.  
Available in one- and two-lamp versions.  
Standard accessories: light control, power sockets, sliding supports.



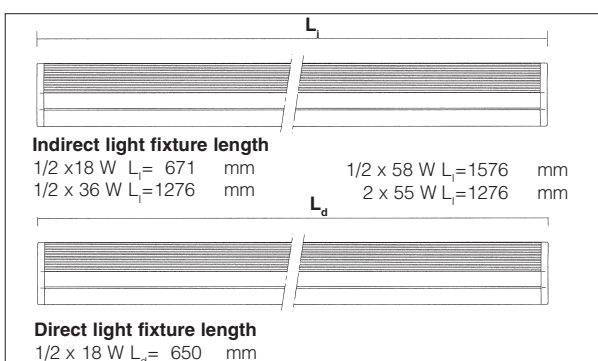
7204 Serena "CA+D+I+F" - direct/indirect light + sockets					
		CNR-F		CELL-F	
wattage	colour	weight	code	weight	code
FL1x18 ind.+FL2x18 direct	white	6.10	720410-00		
FL2x18 ind.+FL2x18 direct	white	6.50	720411-00		
FL1x36 ind.+FL2x18 direct	white	6.80	720412-00		
FL2x36 ind.+FL2x18 direct	white	6.20	720413-00		
FL1x58 ind.+FL2x18 direct	white	6.00	720414-00		
FL2x58 ind.+FL2x18 direct	white	6.60	720415-00		
FLC2x55L ind.+FL2x18 direct	white			6.30	720416-00

**A)** Composition with a push-button pad for calling and for control of reading lighting, switch button for medical examination lighting, free place with plug, ivory resin plate.

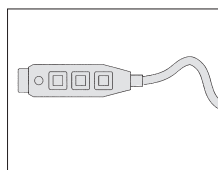
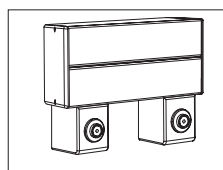
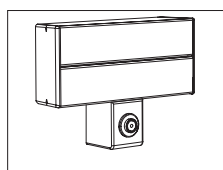


**B)** Composition with a UNEL type two-step socket with protective fuse, ivory resin plate.

**C)** Sliding support in nickel-plated brass for push-button pad or medical apparatus.

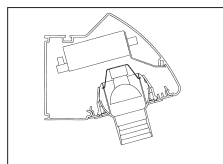


7210 box for gas		
	721005	
	721006	
	721007	
Box for 1 valve		
Box for 2 valves		
Box for 3 valves		



Pendant push-button pad for nurse calling and/or manual control over lighting. Available with connector in the two-/four-pushbutton versions with or without tranquilising pilot light. Only available as a replacement for products already delivered.

7211 adjustable spotlight		
	721001	CTL
Swivel spotlight for localised direct lighting. Complete with safety transformer and 20 W dichroic lamp with protection glass.		



7212 hook for drip-feed		
	721002	
Sliding support in nickel-plated brass for medical apparatus or to hook onto the push-button pad.		

