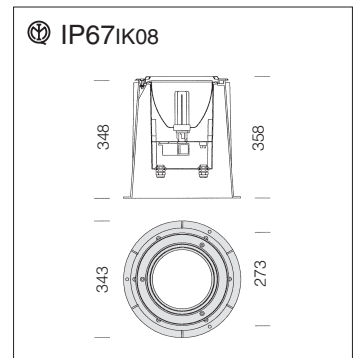
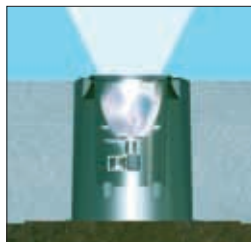
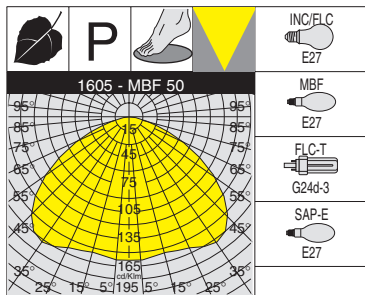


**Housing:** in die-cast aluminium.  
**Frame:** in AISI 316 stainless steel.  
**Reflector:** in hammered aluminium, anodically oxidized and polished, with anti-glare baffle.  
**Standard supply:** recessed mounting box.

1604 Floor - asymmetric in stainless steel AISI 316 and tempered glass										
wattage	colour	S		CNRL		temperature and load				
		weight	code	weight	code	T. max on glass ta 25°C	ta 15°C	Kg max load	walked	trafficable
INC 40/ FLC 15EL	s. steel	3.00	530550-00			*80°C	70°C	4000	OK	OK
SAP-TS 70	s. steel			6.00	530555-00	80°C	70°C	4000	OK	OK
JM-TS 70	s. steel			6.00	530556-00	80°C	70°C	4000	OK	OK
FLC 1x26T	s. steel			5.00	530557-00	65°C	55°C	4000	OK	OK

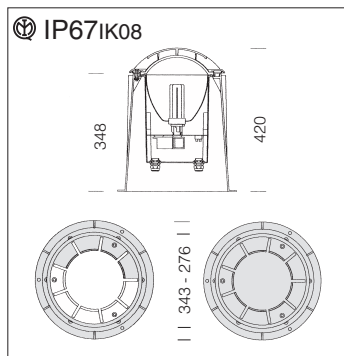
Ideal for installation in port areas.  
 \* temperature referred for the lamp INC 40W.  
 SAP-TS 70: 2000K - 6800lm - Ra 4, JM-TS 70: 4000K - 5700lm - Ra 1b, FLC 1x26T: 4000K - 1800lm - Ra 1b



**Housing:** in die-cast aluminium.  
**Frame:** in AISI 316 stainless steel.  
**Reflector:** in aluminium, anodically oxidized and polished.  
**Standard supply:** recessed mounting box.

1605 Floor - wide beam in stainless steel AISI 316										
wattage	colour	S		CNRL		temperature and load				
		weight	code	weight	code	T. max on glass ta 25°C	ta 15°C	Kg max load	walked	trafficable
INC 40/ FLC 15EL	s. steel	3.00	530560-00			*80°C	70°C	4000	OK	OK
FLC 1x26T	s. steel			5.00	530567-00	65°C	55°C	4000	OK	OK
SAP-E 50	s. steel			5.50	530569-00	110°C	100°C	4000		

Ideal for installation in port areas.  
 \* temperature referred for the lamp INC 40W.  
 FLC 1x26T: 4000K - 1800lm - Ra 1b, SAP-E 50: 2000K - 3500lm - Ra 4

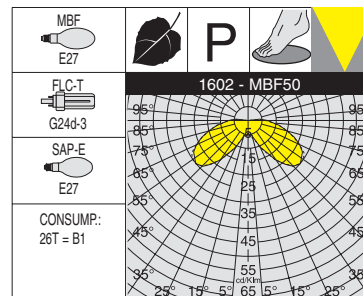


**Housing/frame:** in die-cast aluminium.

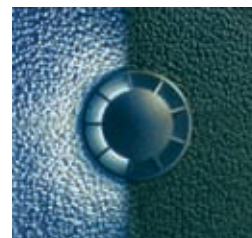
**Reflector:** in aluminium, anodically oxidized and polished.

**Diffuser:** impact and thermal shock resistant hemispherical die-cast aluminium.

**Standard supply:** recessed mounting box.



Art. 1644

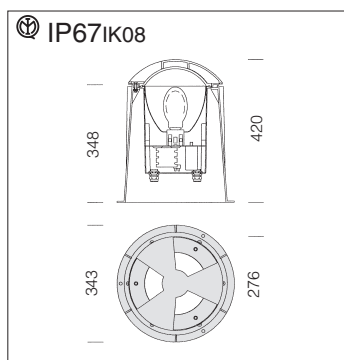


1602 Floor - with convex screen and radial louvre frame								
		CNRL		temperature and load				
wattage	colour	weight	code	T. max on glass		Kg max load	walked	trafficable
				ta 25°C	ta 15°C			
FLC 1x26T	graphite	6.50	530574-00	55°C	45°C	2000	OK	OK
MBF 50	graphite	7.00	530575-00	80°C	70°C	2000	OK	OK
SAP-E 50	graphite	7.00	530576-00	70°C	60°C	2000	OK	OK

1644 Floor - convex screen and radial louvre frame with one side closed								
		CNRL		temperature and load				
wattage	colour	weight	code	T. max on glass		Kg max load	walked	trafficable
				ta 25°C	ta 15°C			
FLC 1x26T	graphite	6.50	530561-00	55°C	45°C	2000	OK	OK
MBF 50	graphite	7.00	530562-00	80°C	70°C	2000	OK	OK
SAP-E 50	graphite	7.00	530563-00	70°C	60°C	2000	OK	OK

FLC 1x26T: 4000K - 1800lm - Ra 1b, MBF 50: 4200K - 2000lm - Ra 3, SAP-E 50: 2000K - 3500lm - Ra 4

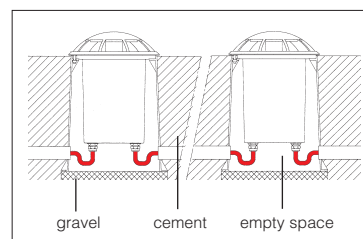
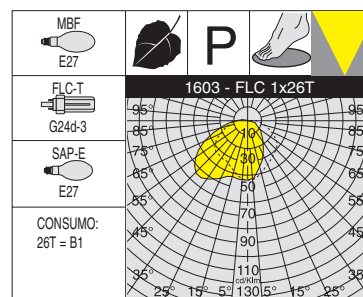


**Housing/frame:** in die-cast aluminium.

**Reflector:** in aluminium, anodically oxidized and polished.

**Diffuser:** impact and thermal shock resistant hemispherical die-cast aluminium.

**Standard supply:** recessed mounting box.



1603 Floor - with convex screen and frame for local lighting								
		CNRL		temperature and load				
wattage	colour	weight	code	T. max on glass		Kg max load	walked	trafficable
				ta 25°	ta 15°			
FLC 1x26T	graphite	6.50	530544-00	60°	50°	2000	OK	OK
MBF 50	graphite	7.00	530545-00	80°	70°	2000	OK	OK
SAP-E 50	graphite	7.00	530546-00	80°	70°	2000	OK	OK

FLC 1x26T: 4000K - 1800lm - Ra 1b, MBF 50: 4200K - 2000lm - Ra 3, SAP-E 50: 2000K - 3500lm - Ra 4

