

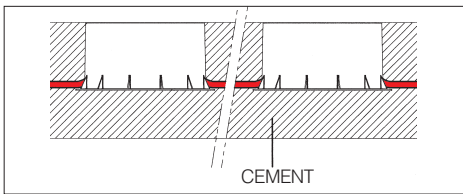


Hotel Loutraki - Greece

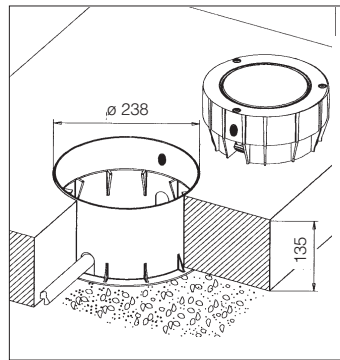
Housing: Fibreglass nylon.
Frame: AISI 316L stainless steel.
Diffuser: Smooth, clear tempered glass protection, thickness 5 mm, resistant to thermal shock, impact, and load.
Electric gear: 230V power supply. Double insulation wire 1 sqmm. 2P terminal block (maximum allowed lead cross-section 4 sqmm.); fitted for continuous line connection.
Standard supply: Standard supply includes recessed mounting box.
Equipment: silicone rubber gasket. Removable gear tray for easy maintenance.



External enclosure for the recessed fixture.



The housing is designed to allow supply cable insertion in two points for continuous line mounting. The wall structure should support a load of 1000kg without strain.



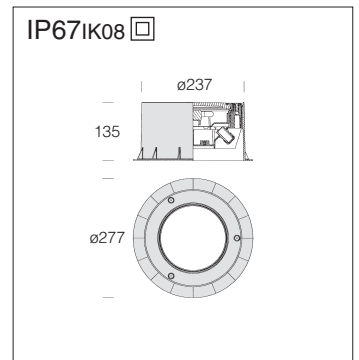
LED LED and powered version: see chapter LED and mutanti.

FLC-S
G23

1642 - FLC2x7S

Enel Sole
L'ENERGIA CHE TI ACCOGLIE.

ø238

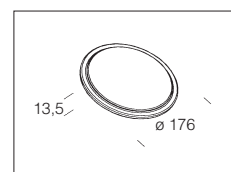


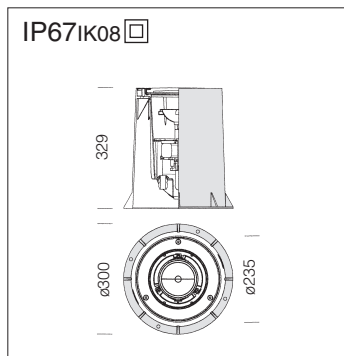
1642 Minifloor - fixed								
		CNRL		temperature and load				
wattage	colour	weight	code	T. max on glass		Kg max load	walked	trafficable
			ta 25°C	ta 15°C				
FLC 2x7S	s. steel	2.50	530740-00	55°C	45°C	1000	OK	

Supplied with lamps 7W-4000K energy saving.

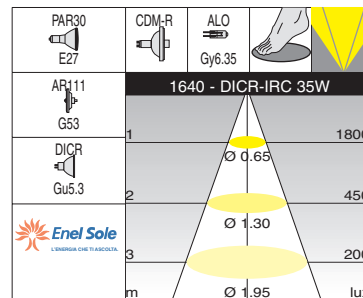
acc. 169 - coloured glass	
red	990105
blue	990106
green	990107

Coloured tempered glass to replace the standard glass in art. 1642.



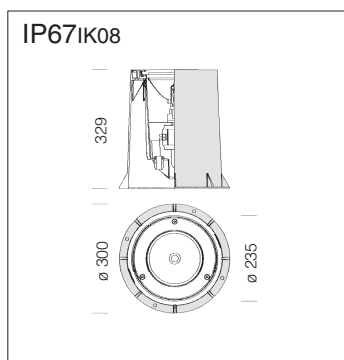


Frame: AISI 316L stainless steel.
Diffuser: smooth, clear tempered glass protection.

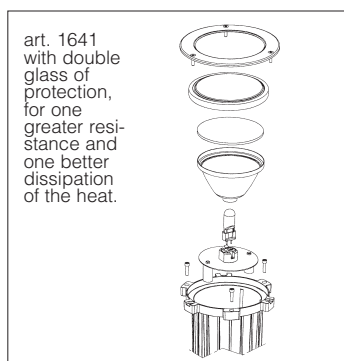
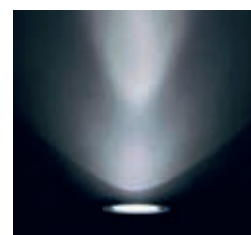
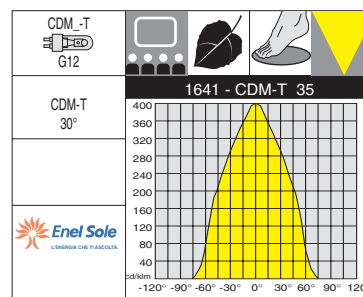


		1640 Minifloor - adjustable										
		S		CTL		CNRL		temperature and load				
wattage	colour	weight	code	weight	code	weight	code	T. max on glass		max kg load	walked	trafficable
								ta 25°C	ta 15°C			
PAR 20/50W	stainless steel	4.50	530720-00					85°C	75°C	2000	OK	
AR 111/50W	stainless steel			5.50	530721-00			100°C	90°C	2000	OK	
ALO 50	stainless steel			5.50	530722-00			75°C	65°C	2000	OK	OK
DICR 35 - IRC	stainless steel			5.50	530723-00			70°C	60°C	2000	OK	OK
CDM-R 111 35	stainless steel					5.50	530733-00			2000		

The CTL version is complete of the ballast.
 CDM-R 111 35: 3000K - 8500cd - 24°



Diffuser: Double protection includes one smooth, clear tempered glass, thickness: 5 mm, and one pressed glass, thickness 8 mm, clear, resistant to thermal shock, impact, and load.



art. 1641 with double glass of protection, for one greater resistance and one better dissipation of the heat.

		1641 Minifloor - fixed									
		CNRL				temperature and load					
wattage	colour	weight	code	T. max on glass		Kg max load	walked	trafficable			
				ta 25°C	ta 15°C						
CDM-T 35	stainless steel	5.80	530732-00	110°C	100°C	2000					

Frame: AISI 316L stainless steel. **Reflector:** anodised and polished aluminium.
 CDM-T 35: 3000K - 3400lm - Ra 1b.

The fixture is composed of a luminaire and a cylindrical nylon outer case for recessed floor installation. The outer casing is fitted to let in the power supply pipe (hole Ø 40) in 2 places. The masonry must be able to support a load of 2000 kg without strain. As the bottom is open to allow for draining, a gravel bed should be prepared at the time of installation. The electric gear is inside the luminaire.

