

Athens, olympic city - Greece



Housing: in vandal resistant and V2 self-extinguishing polycarbonate, UV-stabilised, anti-yellowing.

Coating: in several stages. First stage: epoxy cationic electrocoating, resistant to corrosive and saline environments. Second stage: UV-stabiliser priming, and final stage rough finish with graphite acrylic coating.

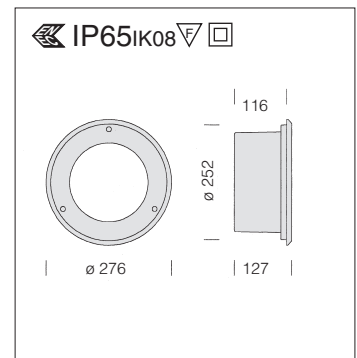
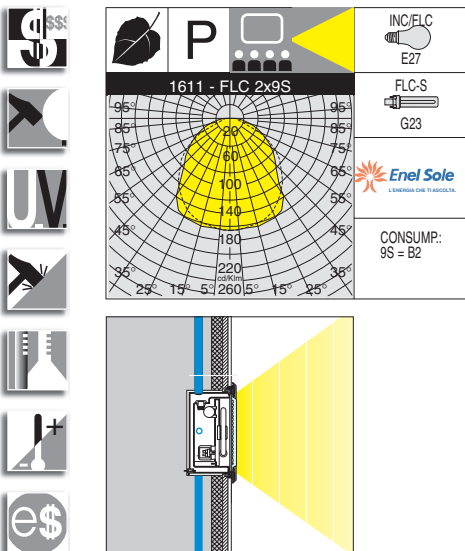
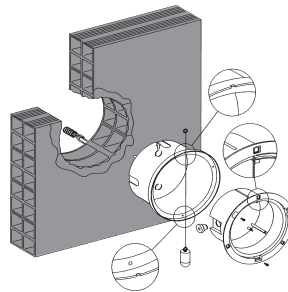
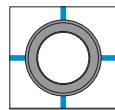
Electric gear: 230V/50 Hz power supply.

Standard supply: standard recess box. Removable electric gear tray. Rubber cable gland.

Equipment: rubber gasket. Removable electric gear tray.



Recessed mounting box, fitted for input of power supply tube on the bottom or from the sides, with references for proper positioning.



Frame: in die-cast aluminium.

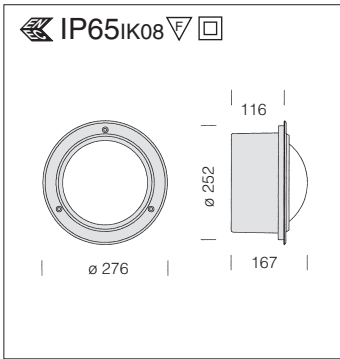
Reflector: INC/FLC version in high-gloss aluminium; FLC2x9S version in white polycarbonate.

Diffuser: tempered glass.

1611 Wall - with flat glass

		S		CNRL		Lamps (Ta=25°C)
wattage	colour	weight	code	weight	code	Kelvin - l/m - Ra
INC 40 / FLC 15EL	graphite	2.00	530622-00			
FLC 2x9S	graphite			2.50	530623-00	4000K - 565lm - Ra 1b

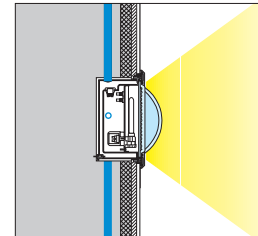
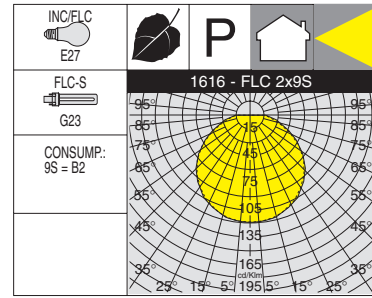
INC 40/FLC 15EL version, Class I



Frame: in stainless steel.

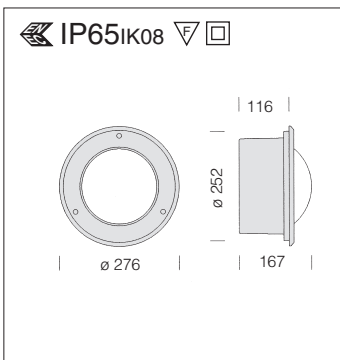
Reflector: INC/FLC version in high-gloss aluminium; FLC2x9S version in white polycarbonate.

Diffuser: impact-resistant hemispherical glass



1616 Wall - with convex glass, stainless steel frame						
		S		CNRL		Lamps (Ta=25°C)
wattage	colour	weight	code	weight	code	Kelvin - ølm - Ra
INC 40 / FLC 15EL	graphite	2.50	530680-00			
FLC 2x9S	graphite			2.90	530681-00	4000K - 565lm - Ra 1b

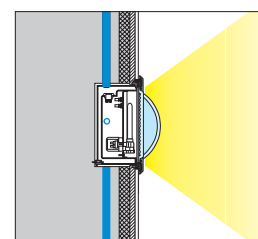
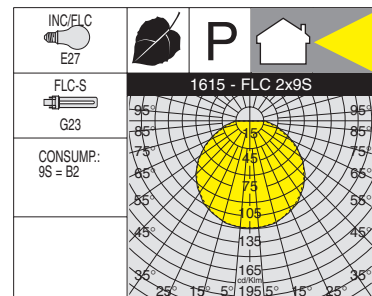
Ideal for ceiling mounting. Resistant to humid and salty environments.
INC 40/FLC 15EL version, Class I



Frame: in die-cast aluminium.

Reflector: INC/FLC version in high-gloss aluminium; FLC2x9S version in white polycarbonate.

Diffuser: impact-resistant hemispherical glass



1615 Wall - with convex glass						
		S		CNRL		Lamps (Ta=25°C)
wattage	colour	weight	code	weight	code	Kelvin - ølm - Ra
INC 40 / FLC 15EL	graphite	2.50	530662-00			
FLC 2x9S	graphite			2.90	530663-00	4000K - 565lm - Ra 1b

INC 40/FLC 15EL version, Class I

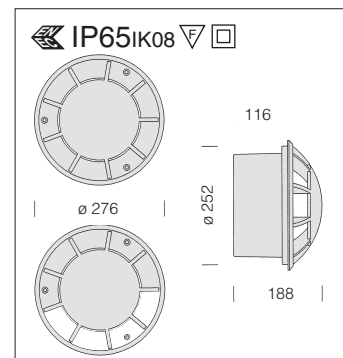
1612 - FLC 2x9S

INC
E27

FLC-S
G23

CONSUMP:
9S = B2

Art. 1624



Frame: in die-cast aluminium.

Reflector: INC/FLC version in high-gloss aluminium; FLC2x9S version in white polycarbonate.

Diffuser: impact-resistant hemispherical glass

1612 Wall - radial louvre frame						
		S		CNRL		Lamps (Ta=25°C)
wattage	colour	weight	code	weight	code	Kelvin - ølm - Ra
INC 40 / FLC 15EL	graphite	3.00	530635-00			
FLC 2x9S	graphite			3.50	530636-00	4000K - 565lm - Ra 1b

INC 40/FLC 15EL version, Class I

1624 Wall - radial louvre frame with one side closed						
		S		CNRL		Lamps (Ta=25°C)
wattage	colour	weight	code	weight	code	Kelvin - ølm - Ra
INC 40 / FLC 15EL	graphite	3.00	530624-00			
FLC 2x9S	graphite			3.00	530625-00	4000K - 565lm - Ra 1b

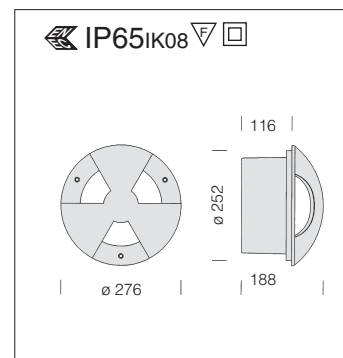
INC 40/FLC 15EL version, Class I

1613 - FLC 2x9S

INC/FLC
E27

FLC-S
G23

CONSUMP:
9S = B2



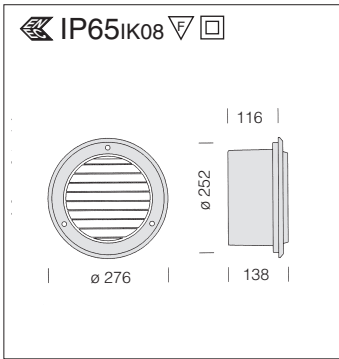
Frame: in die-cast aluminium.

Reflector: INC/FLC version in high-gloss aluminium; FLC2x9S version in white polycarbonate.

Diffuser: impact-resistant hemispherical glass

1613 Wall - with frame for localized light						
		S		CNRL		Lamps (Ta=25°C)
wattage	colour	weight	code	weight	code	Kelvin - ølm - Ra
INC 40 / FLC 15EL	graphite	3.00	530643-00			
FLC 2x9S	graphite			3.50	530644-00	4000K - 565lm - Ra 1b

INC 40/FLC 15EL version, Class I



Frame: in die-cast aluminium.
Reflector: INC/FLC version in high-gloss aluminium; FLC2x9S version in white polycarbonate.
Diffuser: in polycarbonate, vandal resistant and V2 self-extinguishing, UV-stabilised.

1610 Wall - with louvre						
		S		CNRL		Lamps (Ta=25°C)
wattage	colour	weight	code	weight	code	Kelvin - oIm - Ra
INC 40 / FLC 15EL	graphite	2.80	530612-00			
FLC 2x9S	graphite			3.20	530613-00	4000K - 565lm - Ra 1b

INC 40/FLC 15EL version, Class I



Frame: in die-cast aluminium.
Reflector: INC/FLC version in high-gloss aluminium; FLC2x9S version in white polycarbonate.
Diffuser: in polycarbonate, vandal resistant and V2 self-extinguishing, UV-stabilised.

1614 Wall - with eyelid screen								
		S		CNRL		coloured Lamps		Lamps
wattage	colour	weight	code	weight	code	weight	code	
INC 40/FLC 15EL	graphite	2.50	530652-00					
FLC 2x9S	graphite			3.00	530653-00			
FLC 2x9S	graphite					3.00	530653-96	blue
FLC 2x9S	graphite					3.00	530653-97	green
FLC 2x9S	graphite					3.00	530653-98	magenta

INC 40/FLC 15EL version, Class I