



**Housing/frame:** made of extruded aluminium and die-cast aluminium end caps with graphite aluminium frame.

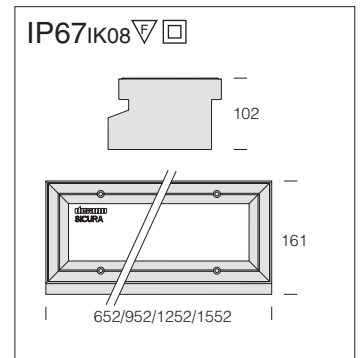
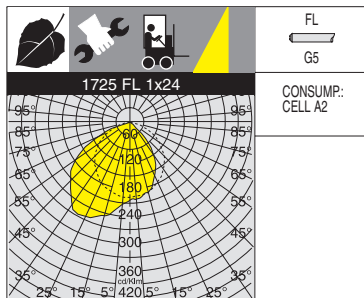
**Housing 1740/41:** made of extruded aluminium and die-cast aluminium end caps. Stainless steel version with AISI 316L steel frame.

**Coating:** With graphite grey polyester powder, resistant to corrosive and saline environments.

**Electric gear:** 230-240V 50/60 Hz power supply with electronic ballast.

**Equipment:** Snap-lock optic unit secured with safety screws.

**Standard supply:** in steel outer shell.

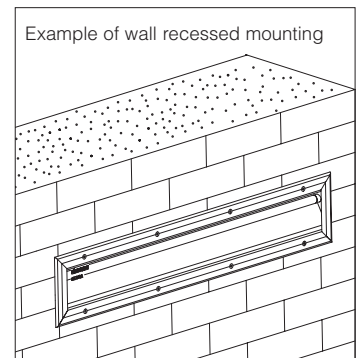


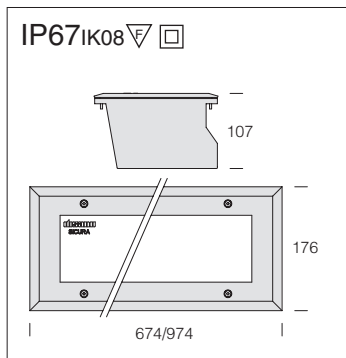
**Reflector:** asymmetrical in high-gloss anodised aluminium.

**Diffuser:** 4 mm thick matt and tempered glass.

1725 Sicura - asymmetric recessed				
wattage	colour	CELL		Lamps (Ta=25°C)
		weight	code	Kelvin - ølm - Ra
FL 1x24	graphite	3.40	414320-00	4000K - 1750lm - Ra 1b
FL 1x39	graphite	4.50	414321-00	4000K - 3100lm - Ra 1b
FL 1x49	graphite	7.00	414322-00	4000K - 4300lm - Ra 1b
FL 1x54	graphite	5.80	414323-00	4000K - 4450lm - Ra 1b

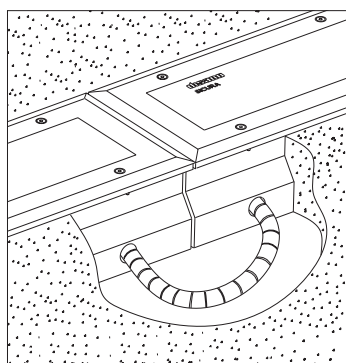
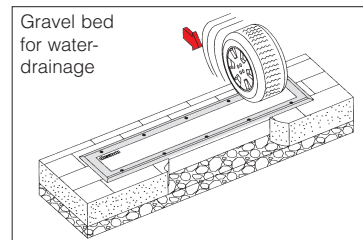
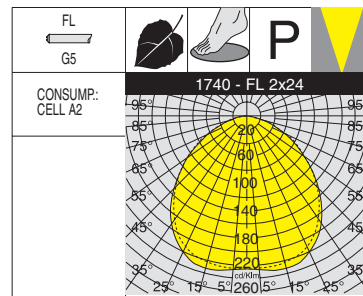
To install only wall mounting or trafficable.





**Reflector:** symmetrical in high-gloss anodised aluminium.

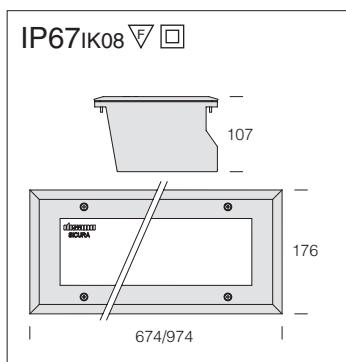
**Diffuser:** 12 mm thick matt and tempered glass, resistant to impact and thermal shock and max load 2000 kg.



1740 Sicura stainless steel - trafficable symmetric recessed								
		CELL		temperature and load				
wattage	colour	weight	code	T. max on glass		max load kg	walked	trafficable
				ta 25°	ta 15°			
FL 1x24	stainless steel	3.40	414250-00	55°C	45°C	2000	OK	OK
FL 1x39	stainless steel	4.50	414251-00	55°C	45°C	2000	OK	OK

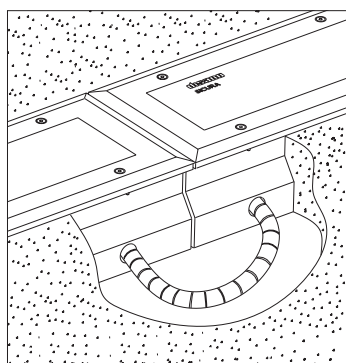
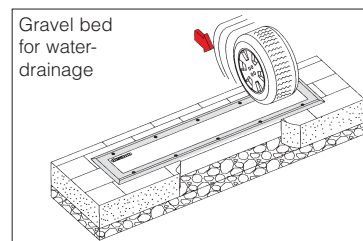
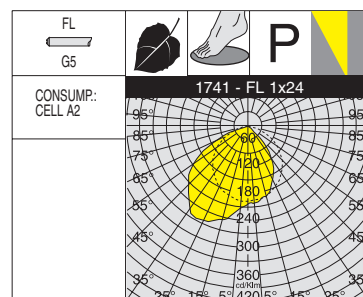
In stainless steel **AISI 316L** frame.  
 FL 1x24: 4000K - 1750lm - Ra 1b, FL 1x39: 4000K - 3100lm - Ra 1b

Example of mounting in continuous line



**Reflector:** asymmetrical in high-gloss anodised aluminium.

**Diffuser:** 12 mm thick matt and tempered glass, resistant to impact and thermal shock and max load 2000 kg.



1741 Sicura stainless steel - trafficable asymmetric recessed								
		CELL		temperature and load				
wattage	colour	weight	code	T. max on glass		max load kg	walked	trafficable
				ta 25°	ta 15°			
FL 1x24	stainless steel	3.40	414350-00	55°C	45°C	2000	OK	OK
FL 1x39	stainless steel	4.50	414351-00	50°C	45°C	2000	OK	OK

In stainless steel **AISI 316L** frame.  
 FL 1x24: 4000K - 1750lm - Ra 1b, FL 1x39: 4000K - 3100lm - Ra 1b

Example of mounting in continuous line