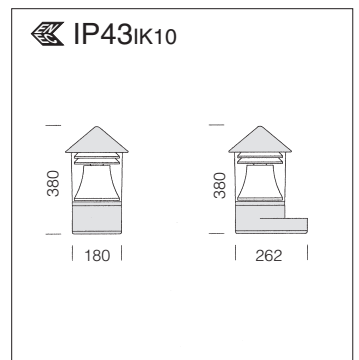
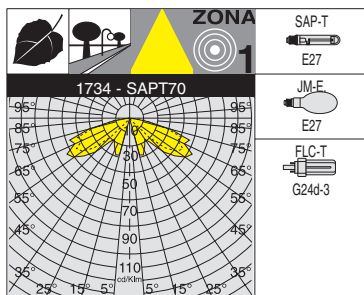


Housing: in extruded aluminium, cylindrical section.
Louvre: light pollution preventing system aluminium.
Cap: die-cast aluminium.
Diffuser: in polycarbonate, clear vandal resistant and V2 self-extinguishing, UV-stabilised.
Coating: in several stages. First stage: epoxy cationic electrocoating, resistant to corrosive and saline environments. Second stage: UV-stabilising primer, and final stage rough finish with graphite acrylic coating (it has passed the UNI ISO 9227 1000 hr test).
Standard supply: With steel flange to be embedded in the ground.
Electric gear: 230V/50 Hz power supply. Hard wire 0.50 sqmm cross-section. 2P+T terminal block with maximum allowed lead cross-section of 4 sqmm.

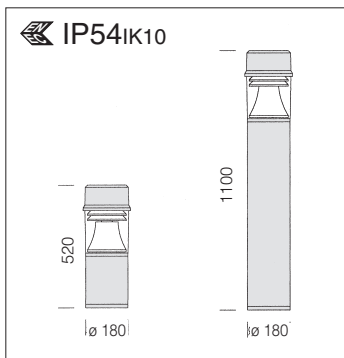
1730 Faro 3 - high version				
		CNRL		Lamps (Ta=25°C)
wattage	colour	weight	code	Kelvin - ølm - Ra
FLC 1x26T	graphite	6.30	510020-00	4000K - 1800lm - Ra 1b
SAP-T 70	graphite	7.10	510021-00	2000K - 6000lm - Ra 4
JM-E 70	graphite	7.10	510022-00	3700K - 5300lm

1731 Faro 3 - short version				
		CNRL		Lamps (Ta=25°C)
wattage	colour	weight	code	Kelvin - ølm - Ra
FLC 1x26T	graphite	4.30	510010-00	4000K - 1800lm - Ra 1
SAP-T 70	graphite	4.80	510011-00	2000K - 6000lm - Ra 4
JM-E 70	graphite	4.80	510012-00	3700K - 5300lm



Louvre: light pollution preventing system aluminium.

1734 Faro 3 - wall version				
		CNRL		Lamps (Ta=25°C)
wattage	colour	weight	code	Kelvin - ølm - Ra
FLC 1x26T	graphite	4.20	510110-00	4000K - 1800lm - Ra 1b
SAP-T 70	graphite	4.20	510111-00	2000K - 6000lm - Ra 4
JM-E 70	graphite	4.20	510112-00	3200K - 4700lm



Housing: in extruded aluminium, cylindrical section.

Louvre: light pollution preventing system aluminium.

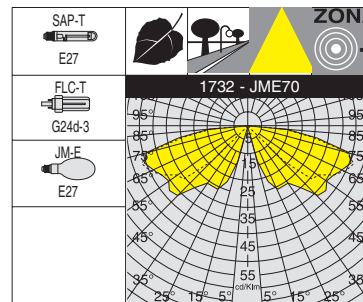
Cap: die-cast aluminium.

Diffuser: in polycarbonate, clear vandal resistant and V2 self-extinguishing, UV-stabilised.

Coating: in several stages. First stage: epoxy cationic electrocoating, resistant to corrosive and saline environments. Second stage: UV-stabilising primer, and final stage rough finish with graphite acrylic coating (it has passed the UNI ISO 9227 1000 hr test).

Standard supply: With steel flange to be embedded in the ground.

Electric gear: 230V/50 Hz power supply. Hard wire 0.50 sqmm cross-section. 2P+T terminal block with maximum allowed lead cross-section of 4 sqmm.

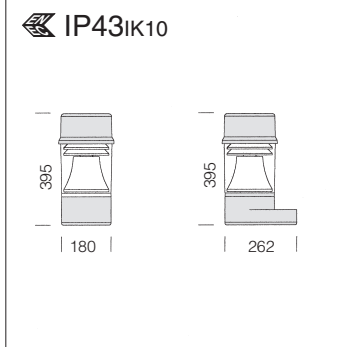


1732 Faro 4 - high version

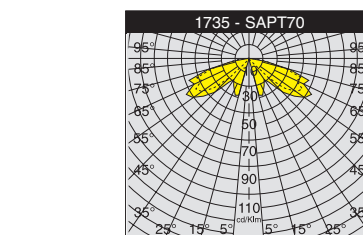
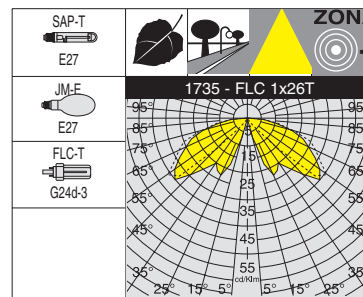
		CNRL		Lamps (Ta=25°C)
wattage	colour	weight	code	Kelvin - ølm - Ra
FLC 1x26T	graphite	6.30	511020-00	4000K - 1800lm - Ra 1b
SAP-T 70	graphite	7.10	511021-00	2000K - 6000lm - Ra 4
JM-E 70	graphite	7.10	511022-00	3700K - 5300lm

1733 Faro 4 - short version

		CNRL		Lamps (Ta=25°C)
wattage	colour	weight	code	Kelvin - ølm - Ra
FLC 1x26T	graphite	4.30	511010-00	4000 K - 1800 lm - Ra 1b
SAP-T 70	graphite	4.80	511011-00	2000 K - 6000 lm - Ra 4
JM-E 70	graphite	4.80	511012-00	3700 K - 5300 lm



Louvre: light pollution preventing system aluminium.



1735 Faro 4 - wall version

		CNRL		Lamps (Ta=25°C)
wattage	colour	weight	code	Kelvin - ølm - Ra
FLC 1x26T	graphite	4.20	511110-00	4000K - 1800lm - Ra 1b
SAP-T 70	graphite	4.20	511111-00	2000K - 6000 m - Ra 4
JM-E 70	graphite	4.20	511112-00	3200K - 4700lm

