



**Housing/frame:** Made of die-cast aluminium.

**Reflector:** asymmetric version in 99.85 aluminium natural polished. In bright polished wide beam 99.90 aluminium version.

**Diffuser:** tempered 4mm thick glass, resistant to impact and thermal shock (test UNI EN 12150-1: 2001).

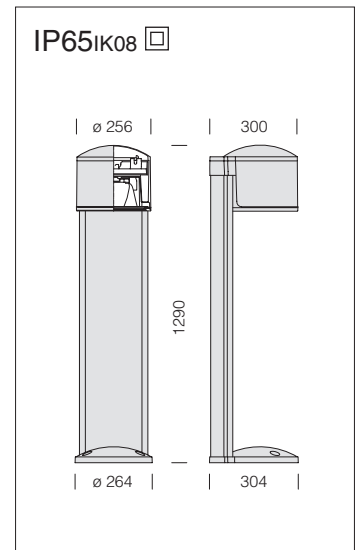
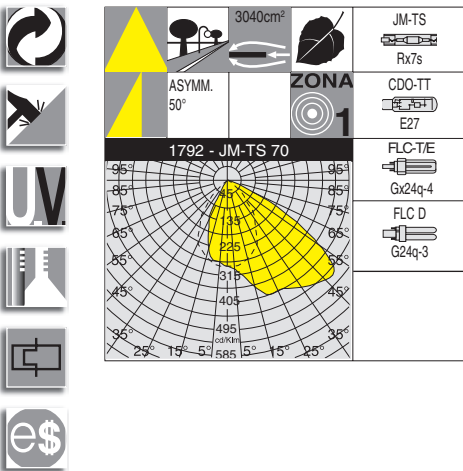
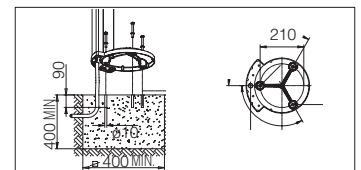
**Coating:** in several stages: epoxy cationic electrocoating; second coat of rough finish stage with frosted silver and grap. acrylic paint.

**Electric gear:** 230V-50Hz power supply with heat protection. Flexible wire terminated with quick-connect admiralty brass clamps; silicone insulation; cross-section: 1 sqmm . 2P nylon terminal block (maximum allowed lead cross-section: 2.5 sqmm).

**Equipment:** during maintenance the frame stays attached on hinges against accidental opening.



**LED** LED mutanti version: see chapter LED and mutanti.



**1792 Musa - asymmetric with column**

		CNRL		Lamps (Ta=25°C)	
wattage	colour	weight	code	Kelvin - ølm - Ra	
JM-TS 70	sil. + grap.	12.30	423511-00	4000K - 5700lm - 76 lm/W - Ra 1b	

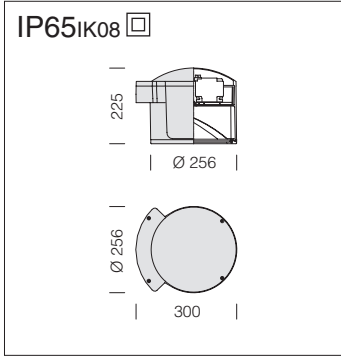
Supplied with extruded aluminium column and die-cast aluminium base and three log bolts for fixing it into the ground.

**1793 Musa - wide beam with column**

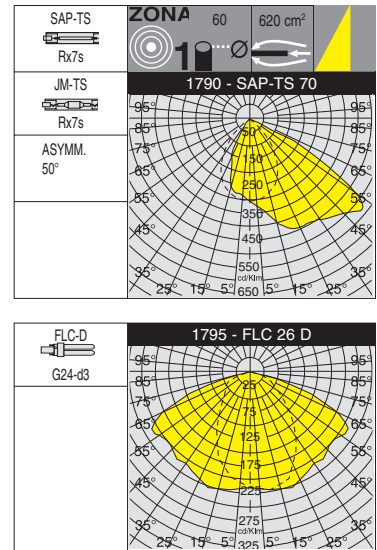
		CNRL		CELL		Lamps (Ta=25°C)	
wattage	colour	weight	code	weight	code	Kelvin - ølm - Ra	
CDO-TT 70	sil. + grap.	12.30	423531-00			2800K - 6400lm - Ra 1b	
FLC 1x26 D	sil. + grap.	11.00	423532-00			4000K - 1800lm - Ra 1b	
FLC1x42 T/E	sil. + grap.			11.00	423533-00	4000K - 3200lm - Ra 1b	

Supplied with extruded aluminium column and die-cast aluminium base and three log bolts for fixing it into the ground.



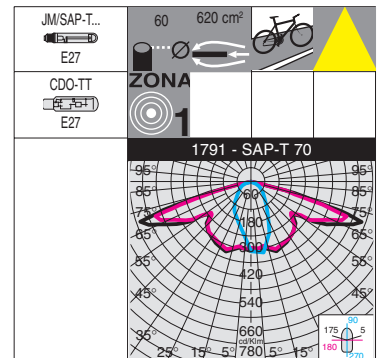
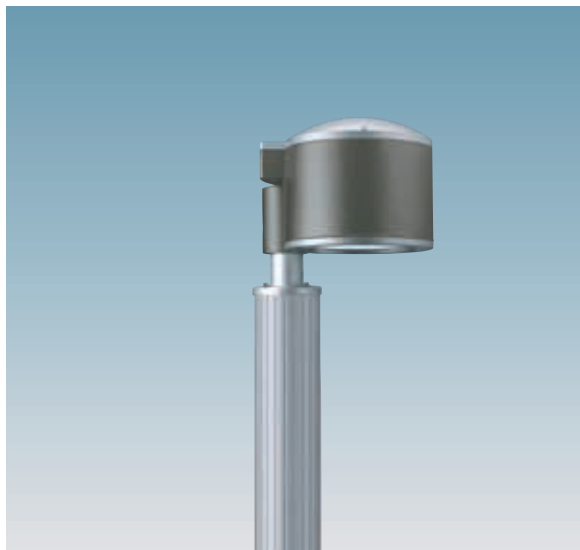
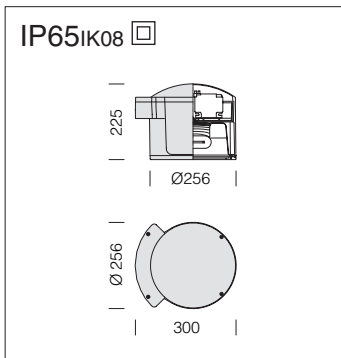


**Reflector:** asymmetric version in 99.85 aluminium natural polished. In polished wide beam 99.90 aluminium version.



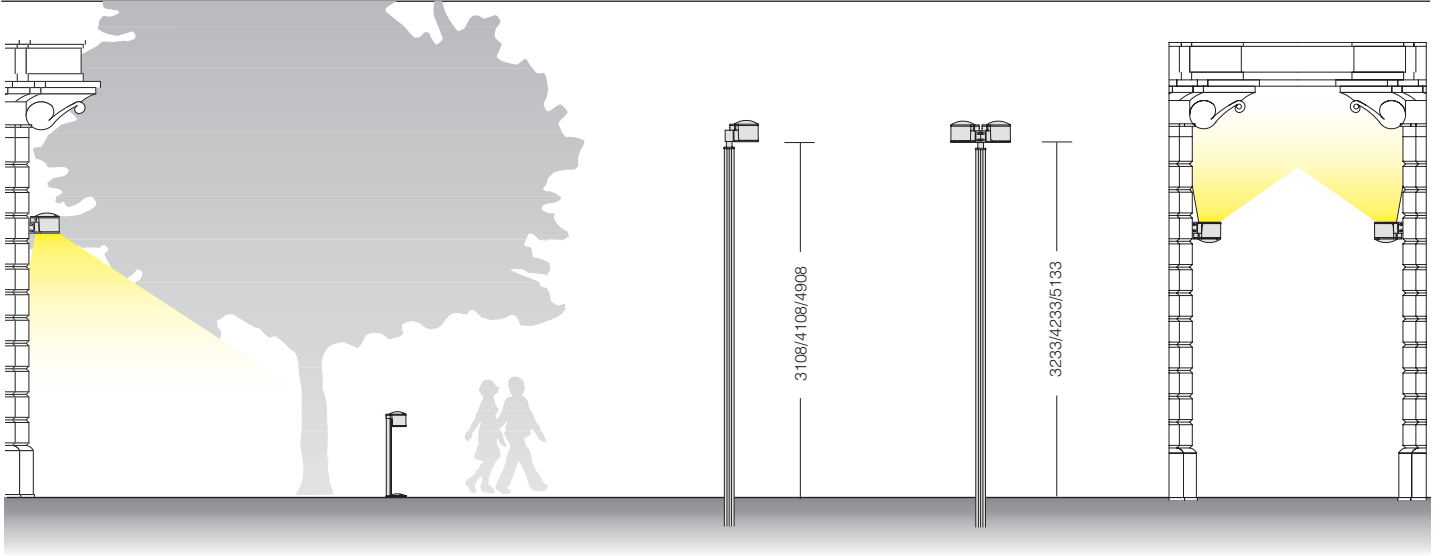
1790 Musa - asymmetric					
		CNRL		Lamps (Ta=25°C)	
wattage	colour	weight	code	Kelvin - ølm - Ra	
SAP-TS 70	sil. + grap.	6.50	423310-00	2000K - 6800lm - Ra 4	
SAP-TS 150	sil. + grap.	7.35	423311-00	2000K - 15000lm - Ra 4	
JM-TS 70	sil. + grap.	6.50	423312-00	4000K - 5700lm - Ra 1b	
JM-TS 150	sil. + grap.	7.35	423313-00	4200K - 12000lm - Ra 1b	

1795 Musa - wide beam					
		CNRL		Lamps (Ta=25°C)	
wattage	colour	weight	code	Kelvin - ølm - Ra	
FLC 1x26 D	sil. + grap.	6.00	423420-00	4000 K - 1800 lm - Ra 1b	



1791 Musa - bicycle pathways						
		CNRL		CELL		Lamps (Ta=25°C)
wattage	colour	weight	code	weight	code	Kelvin - ølm - Ra
SAP-T 70	sil. + grap.	6.50	423410-00			2000K - 6000lm - Ra 4
CDO-TT 70	sil. + grap.	6.50	423411-00			2800K - 6400lm - Ra 1b
JM-T 150	sil. + grap.	7.35	423412-00			4000K - 14000lm - Ra 1b1a
FLC 1x42T/E	sil. + grap.			5.50	423413-00	4000K - 3200lm - Ra 1b

Use acc. 364 for single lamp pole installation or acc. 365 for the two lamp version. Please refer to the chapter on poles for the selection of poles.



<b>ES. a10 - 1 Musa</b>	
Components:	
1 Musa	
1 pole to be selected between acc. 1408/9*	
1 pole connector acc. 364	998020
* Pole height can be specified as desired.	

1408/1409	ACC 364
Example of project with 1 art. 1790 - JM-TS 150. Area 30x20 m; h=5 m	

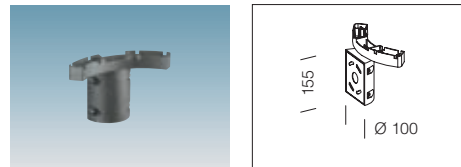
| 307 |

<b>ES. a12 - 2 Musa</b>	
Components:	
2 Musa	
1 pole to be selected between acc. 1408/9*	
1 pole connector acc. 365	998022
* Pole height can be specified as desired.	

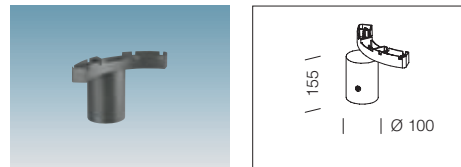
1408/1409	ACC 365
Example of project with 2 art. 1790 - JM-TS 150. Area 30x20 m; h=5 m	

| 630 |

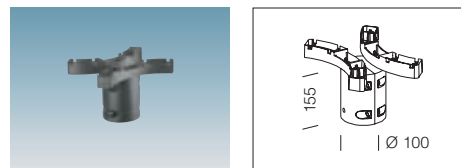
<b>acc. 366 wall connection</b>	
graphite	998024
In die-cast aluminium. for wall mounting.	

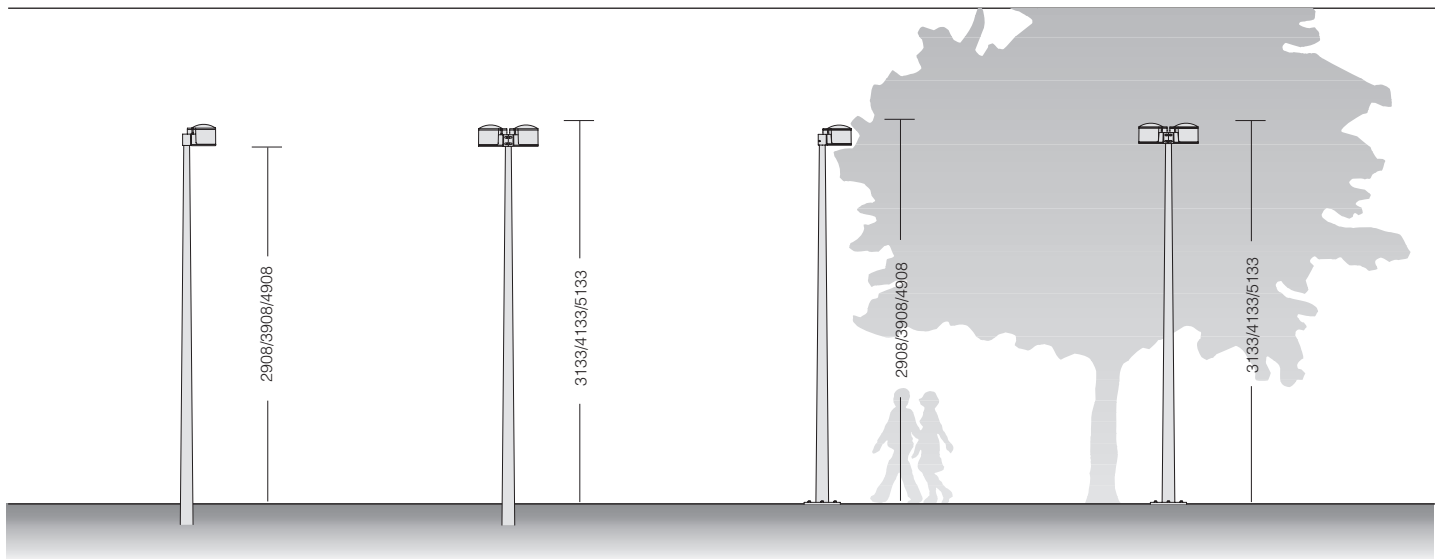


<b>acc. 364 single pole connector</b>	
graphite	998020
In die-cast aluminium. For installation on a dia. 60 lighting pole in the single lamp version.	



<b>acc. 365 double pole connector</b>	
graphite	998022
In die-cast aluminium. For installation on a dia. 60 lighting pole in the two-lamp version.	





<p>  307  </p>	<p>ACC 364</p>	
	<p>1480/1481</p> <p>Example of project with 1 art. 1791 - SAP-T 70. Area 30x20 m; h=5 m</p>	

<b>ES. ac41 - 1 Musa with conical pole</b>	
Components:	
1 1791 Musa	
1 pole to be selected between acc. 1480/81*	
1 pole attachment acc.364	998020
* Pole height can be specified as desired.	

<p>  630  </p>	<p>ACC 365</p>	
	<p>1480/1481</p> <p>Example of project with 2 art. 1790 - JM-TS 150. Area 30x20 m; h=5 m</p>	

<b>ES. ac42 - 2 Musa with conical pole</b>	
Components:	
2 Musa	
1 pole to be selected between acc. 1480/81*	
1 double pole attachment acc.365	998022
* Pole height can be specified as desired.	

<p>  315  </p>	<p>ACC 366</p>	

<b>ES. c10 - 1 Musa wall version</b>	
Components:	
1 1790 Musa	
1 wall connector acc. 366	998024
<b>Indirect lighting is recommended for indoor use only.</b>	

<p>  305  </p>	<p>ACC 364</p>	

<b>ES. ac41</b>	
Components:	
1 1792 Musa	