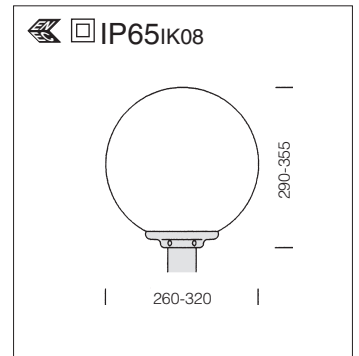


Opal (OP)



Smooth cognac (CL)

Clear (TR)

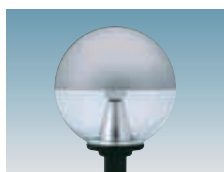
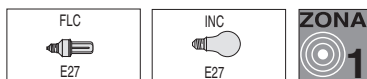


Housing: in fibreglass UV-stabilised nylon.

Diffuser: vandal resistant, V2 self-extinguishing, UV-stabilised polycarbonate.

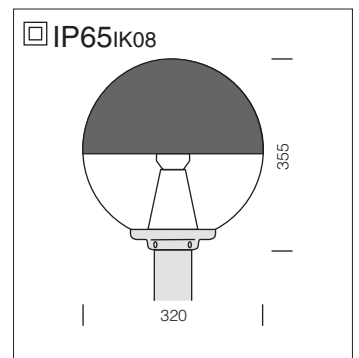
| 1350 Sferico | | | | | |
|--------------|----------|--------|-----------|---|--|
| | | | S | Finish | |
| wattage | diameter | colour | code | | |
| Max 40 | ø 260 | TR | 426700-00 | TR = Clear OP = Opal CL = Smooth Cognac | |
| Max 40 | ø 260 | OP | 426701-00 | | |
| Max 40 | ø 260 | CL | 426702-00 | | |
| Max 60 | ø 320 | TR | 426704-00 | | |
| Max 60 | ø 320 | OP | 426705-00 | | |
| Max 60 | ø 320 | CL | 426706-00 | | |

For poles: see chapter under "Fibreglass poles".



Smooth silver

Black



Housing: in fibreglass UV-stabilised nylon.

Diffuser: vandal resistant, V2 self-extinguishing, UV-stabilised polycarbonate; smooth.

Coating: polyurethane resin liquid/spray coating.

| 1355 Sferico - painted | | | | | |
|------------------------|----------|-------------|-----------|---|--|
| | | | S | Light pollution preventing system | |
| wattage | diameter | colour | code | | |
| FLC 23 EL | ø 320 | black | 426716-00 | On request with sub-code -0016: internal version with painted black. | |
| FLC 23 EL | ø 320 | smooth sil. | 426717-00 | | |

For poles: see chapter under "Fibreglass poles".



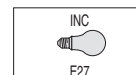
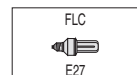
Housing: in fibreglass UV-stabilised nylon.

Diffuser: in clear methacrylate, grooved inside and smooth outside, dust-proof.



Scored clear

Scored opal

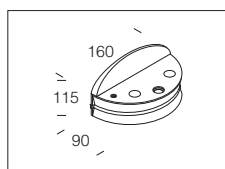


| 1356 Globe - clear scored | | | | |
|---------------------------|----------|--------|-----------|---|
| | | | S | Finish |
| wattage | diameter | colour | code | |
| Max 60 | ø 260 | clear | 426720-00 | In clear methacrylate, grooved inside and smooth outside, dust-proof. |
| Max 60 | ø 320 | clear | 426721-00 | |

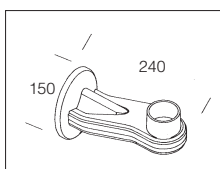
For poles: see chapter under "Fibreglass poles".

| 1357 Globe - opal scored | | | | |
|--------------------------|----------|--------|-----------|---|
| | | | S | Finish |
| wattage | diameter | colour | code | |
| Max 60 | ø 260 | Opal | 426730-00 | In clear methacrylate, grooved inside and smooth outside, dust-proof. |
| Max 60 | ø 320 | Opal | 426731-00 | |

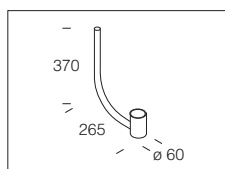
For poles: see chapter under "Fibreglass poles".



| acc. 1372 - wall mounting unit | |
|--|--------|
| black | 433100 |
| In aluminium, painted by epoxy cationic electrocoating. For wall mounting of arms acc. 1370. | |



| acc. 1377 - nylon arm | |
|---|--------|
| black | 991605 |
| In fibreglass nylon. For wall mounting Globes 1350/6/7. | |



| acc. 1370 - arm | |
|--|--------|
| black | 441210 |
| Tropicalised cationic-electrocoated steel. Use in combination with base acc. 1372. | |