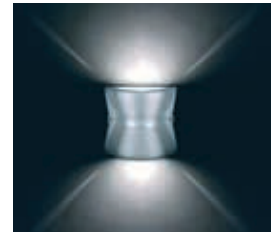
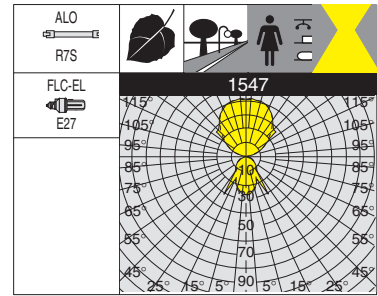
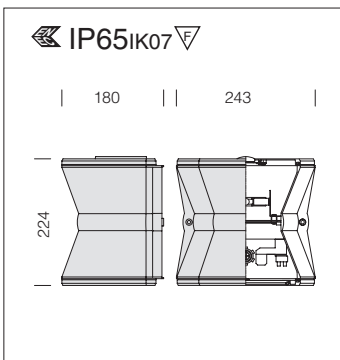


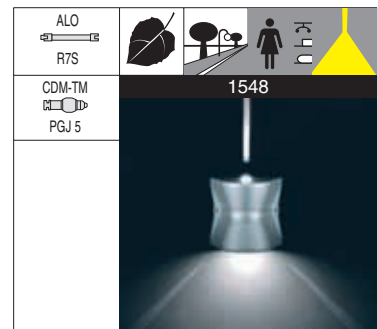
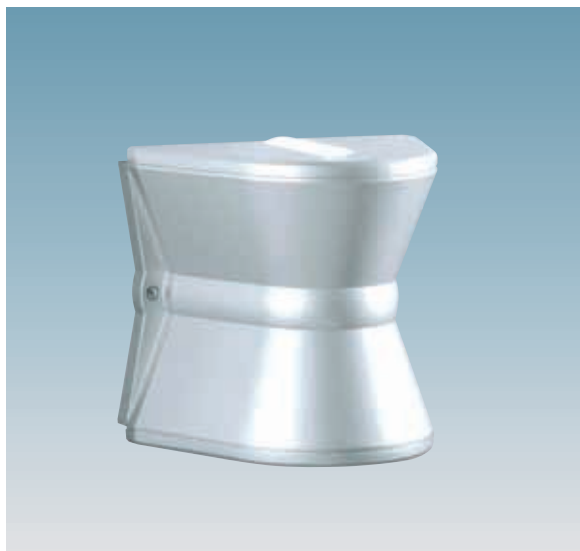
Diffuser: tempered, thermal shock and impact resistant glass.



1547 Clessidra 1 - direct/indirect light				
		S+L		Lamps (Ta=25°C)
wattage	colour	weight	code	Kelvin - ølm - Ra
ALO 100	s. silver	2.00	420560-00	3000K - 1600lm - Ra 1a
FLC 2x16 EL	s. silver	2.00	420561-00	2700K - 900lm - Ra 1b



Diffuser: tempered, thermal shock and impact resistant glass. With glass lens to create lighting effects.



1548 Clessidra 2 - direct/indirect with lens						
		S+L		CELL		Lamps (Ta=25°C)
wattage	colour	weight	code	weight	code	Kelvin - ølm - Ra
ALO 100	s. silver	2.00	420570-00			3000K - 1600lm - Ra 1a
CDM-TM 20	s. silver			2.00	420571-00	3000K - 1650lm - Ra 1b