

Simulation

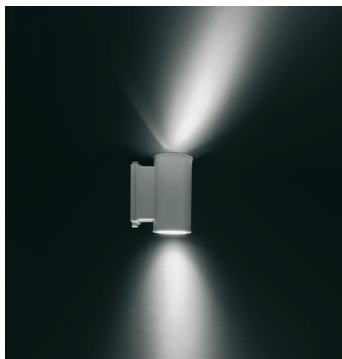


Housing/Frame: Die cast aluminium.

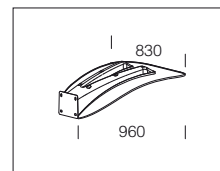
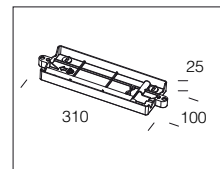
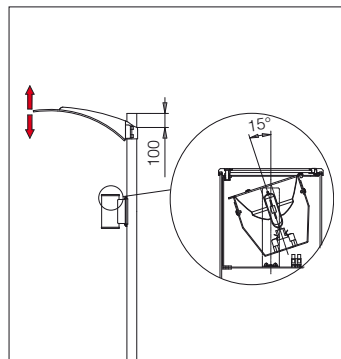
Painting: In various phases. The first phase involves immersion in grey epoxy cathaphoresis, withstands corrosion and salt mists. The second phase applies an undercoat to stabilise against UV rays and the last phase provides a pressed metal finish using silver acrylic paint.

Electric gear: 230V/50Hz power supply with heat protection. Flexible cable, terminated with quick connector, tin-plated brass tips, Silicon insulation with glass braid. 3P terminal strip with 4 mm² maximum permitted cross-section of conductors.

Pegaso: please refer to the chapter Urban Décor for Information on Pegaso.



Art. 1290: Adjustable light beam.

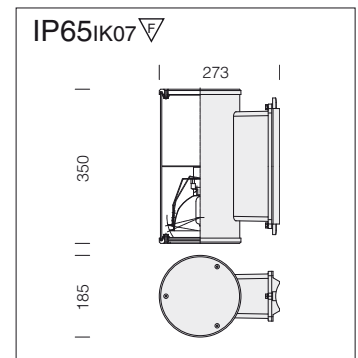


acc. 401 wall mounting	
s. silver	420450
Wall mounting for Cilindro.	

389 Pegaso wall version	
s. silver	991393
Indirect light double aluminium for wall mounting.	

CDM-T G12

FLC-T G24d-3

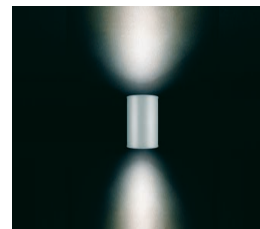
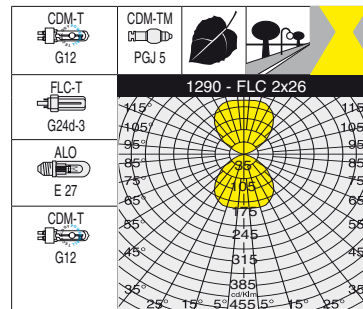
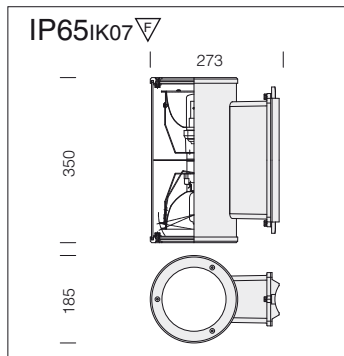


Reflector: pressed and polished aluminium. Adjustable in direct light version.

Diffuser: 4 mm thick toughened glass, thermal shock and impact resistant.

1292 Cilindro 3 - direct light				
wattage	colour	CNRL		Lamps (Ta=25°C)
		weight	code	Kelvin - ølm - Ra
CDM-T 70	s. silver	6.90	420432-00	3000K - 6600lm - Ra 1b
CDM-T 150	s. silver	6.90	420433-00	3000K - 14000lm - Ra 1b
FLC-1x26T	s. silver	6.90	420434-00	4000K - 1800lm - Ra 1b

For wall installation always use acc. 401



Reflector: pressed, polished aluminium or turned anodically oxidised aluminium. Adjustable in direct and indirect light version.

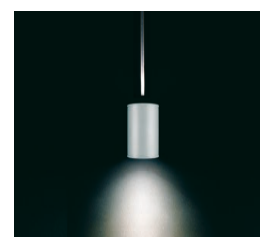
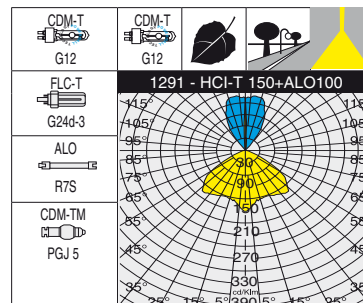
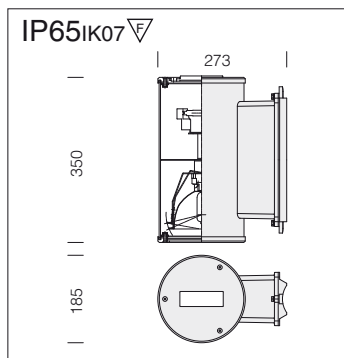
Diffuser: 4 mm thick tempered glass, thermal shock and impact resistant.

1290 Cilindro 1 - direct/indirect light

		CNRL		CELL		Lamps (Ta=25°C)
wattage	colour	weight	code	weight	code	Kelvin - ølm - Ra
CDM-T 70 + ALO 100	s. silver	6.90	420415-00			3000K - 6600lm - Ra 1b
CDM-T 150 + ALO 100	s. silver	6.90	420416-00			3000K - 14000lm - Ra 1b
FLC-26T + FLC-26T	s. silver	6.90	420417-00			4000K - 1800lm - Ra 1b
CDM-T 2x35	s. silver			6.90	420418-00	3000K - 3300lm - Ra 1b

For wall installation always use acc. 401. Standard version includes double switching, which allows switching off the upper light in compliance with the regulations provided for by law 17.

Lamps: the versions with HCI lamps are complete with a narrow-beam and shielding reflector.



Reflector: pressed and polished aluminium. Adjustable in direct light version.

Diffuser: 4 mm thick tempered glass, thermal shock and impact resistant. With glass lens to create lighting effects.

1291 Cilindro 2 - direct/indirect with lens

		CNRL		CELL		Lamps (Ta=25°C)
wattage	colour	weight	code	weight	code	Kelvin - ølm - Ra
CDM-T 70 + ALO 100	s. silver	6.90	420422-00			3000K - 6600lm - Ra 1b
CDM-T 150 + ALO 100	s. silver	6.90	420423-00			3000K - 14000lm - Ra 1b
FLC-26T + ALO 100	s. silver	6.90	420424-00			4000K - 1800lm - Ra 1b
CDM-TM 20+ CDM-T 35	s. silver			6.90	420425-00	3000K - 1650lm + 3000K - 3300lm - Ra 1b

For wall installation always use acc. 401. Standard version includes double switching.

Lamps: the versions with HCI lamps are complete with a narrow-beam and shielding reflector.

