



Housing/Frame: in die-cast aluminium.

Diffuser: in tempered glass, 8 mm thick, resistant to impact and thermal shock.

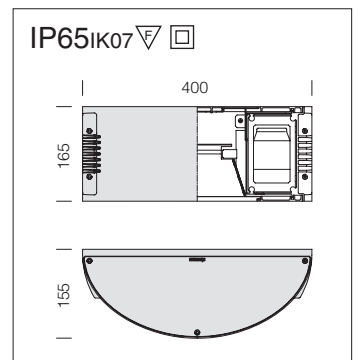
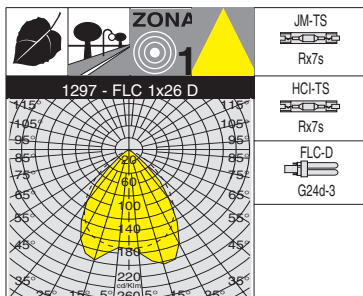
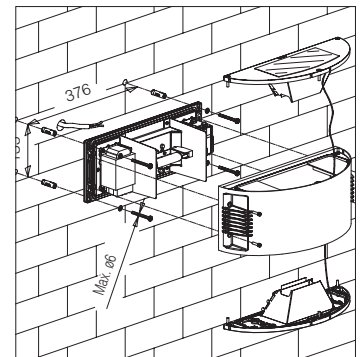
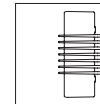
Coating: in several stages. Stage one: epoxy cationic electrocoating, resistant to corrosion and saline environments. Stage two: UV stabilising priming, followed by a sandblasted silver or white acrylic coating.

Electric gear: 230V/50Hz power supply with heat protection.

Standard supply: when replacing the lamp, the frame remains attached to the fixture through steel safety straps.



Supplied with a standard asymmetric reflector that directs the luminous beam towards the street or the pavement.

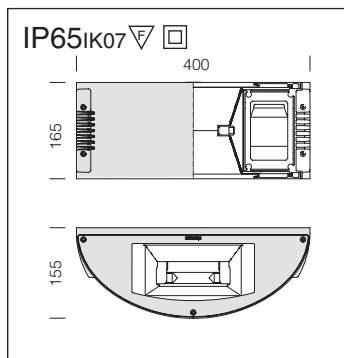


Reflector: in hammered 99.85 aluminium, anodically oxidised and polished.

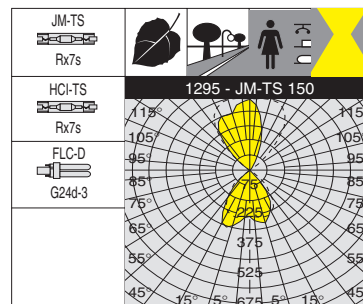
1297 Onda 3 - direct light

wattage	colour	CNRL		Lamps (Ta=25°C)
		weight	code	Kelvin - ølm - Ra
JM-TS 70	s. silver	5.40	420340-00	4000K - 5700lm - Ra 1b
JM-TS 70	white	5.40	420347-00	
JM-TS 150	s. silver	6.80	420341-00	4000K - 12000lm - Ra 1b
JM-TS 150	white	6.80	420348-00	
HCI-TS 70	s. silver	5.40	420342-00	3000 K - 6900lm - Ra 1b (ideal for indoors installations)
HCI-TS 70	white	5.40	420349-00	
HCI-TS 150	s. silver	6.80	420343-00	3000K - 14800lm - Ra 1b (ideal for indoors installations)
HCI-TS 150	white	6.80	420350-00	
FLC 1x26 D	s. silver	5.10	420346-00	4200K - 1800lm - 80lm/W - Ra 1b
FLC 1x26 D	white	5.10	420353-00	

On request: versions with lamps SAP-TS 70/150.

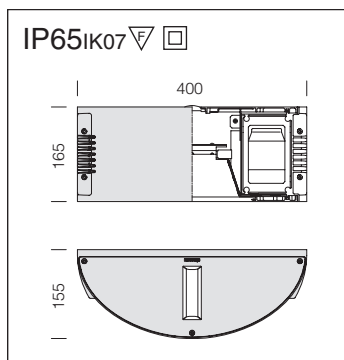


Reflector: in hammered 99.85 aluminium, anodically oxidised and polished.

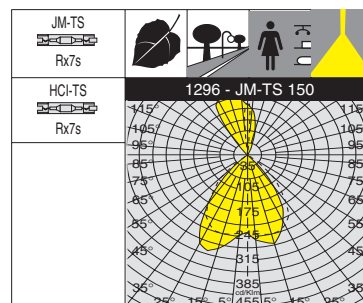


1295 Onda 1 - direct/indirect light				
		CNRL		Lamps (Ta=25°C)
wattage	colour	weight	code	Kelvin - ølm - Ra
JM-TS 70	s. silver	5,90	420310-00	4000K - 5700lm - Ra 1b
JM-TS 70	white	5,90	420317-00	
JM-TS 150	s. silver	6,80	420311-00	4000K - 12000lm - Ra 1b
JM-TS 150	white	6,80	420318-00	
HCI-TS 70	s. silver	5,90	420312-00	3000K - 6900lm - Ra 1b
HCI-TS 70	white	5,90	420319-00	(ideal for indoors installations)
HCI-TS 150	s. silver	6,80	420313-00	3000K - 14800lm - Ra 1b
HCI-TS 150	white	6,80	420320-00	(ideal for indoors installations)
FLC 1x26 D	s. silver	5.40	420316-00	4200K - 1800lm - 80 - Ra 1b
FLC 1x26 D	white	5.40	420323-00	

On request: versions with lamps SAP-TS 70/150.



Reflector: in hammered 99.85 aluminium, anodically oxidised and polished. With glass lens to create lighting effects.



1296 Onda 2 - direct/indirect with lens				
		CNRL		Lamps (Ta=25°C)
wattage	colour	weight	code	Kelvin - ølm - Ra
JM-TS 70	s. silver	5.60	420330-00	4000K - 5700lm - Ra 1b
JM-TS 70	white	5.60	420334-00	
JM-TS 150	s. silver	6.50	420331-00	4000K - 12000lm - Ra 1b
JM-TS 150	white	6.50	420335-00	
HCI-TS 70	s. silver	5.60	420332-00	3000K - 6900lm - Ra 1b
HCI-TS 70	white	5.60	420336-00	(ideal for indoors installations)
HCI-TS 150	s. silver	6.50	420333-00	3000K - 14800lm - Ra 1b
HCI-TS 150	white	6.50	420337-00	(ideal for indoors installations)

On request: versions with lamps SAP-TS 70/150.