

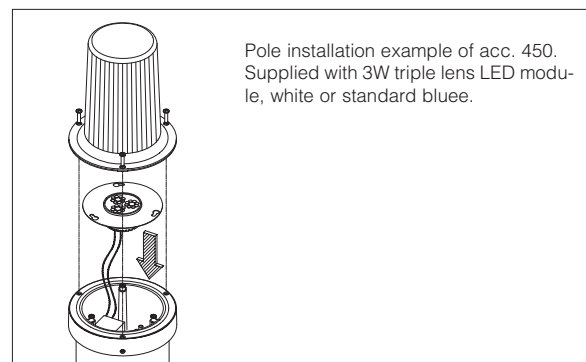


Hot galvanised steel poles. Complete with inspection window (239x64mm), with 4-pole and 16mm² maximum cross section removable terminal strip. With 2 16A rated protection fuses. Arranged with the power cable entry hole.

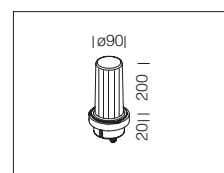
The version with base comes complete with a plinth, with 4 tie rods to be buried, bolts, nuts and caps.

Class II insulation as a standard feature. Attention is required when using fixtures with class I insulation since earthing connections must be foreseen.

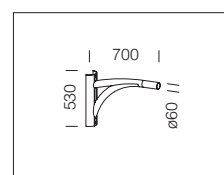
N.B.: The possibility of combining a composition to the pole is subordinated to verifying the ability to withstand the wind force in the areas foreseen by the ENV 1991-2-4 standards. In accordance with the load assumptions foreseen in the EN 40-3-1 standards.



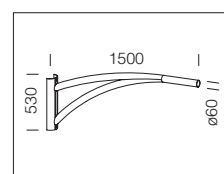
Pole installation example of acc. 450. Supplied with 3W triple lens LED module, white or standard blue.



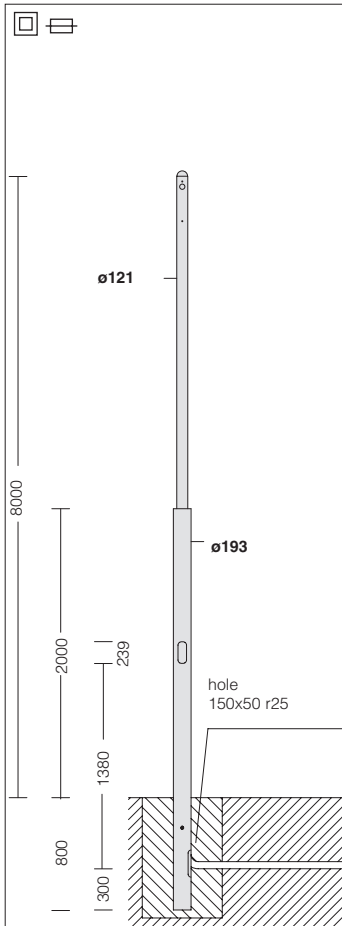
acc. 450 LED head CTL	
LED whi	991395
LED blue	991395-71
To be installed on pole to give an aesthetic finish.	



acc. 406 Aliante arm	
s. silver	991387
graphite	991388
In steel. It permits the pole application acc. 1475/1476.	



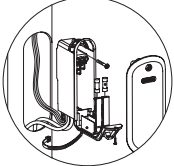
acc. 407 Aliante arm	
s. silver	991389
graphite	991390
In steel. It permits the pole application acc. 1475/1476.	



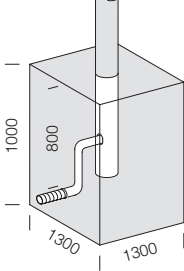
ON REQUEST

Possibility of supplying poles with the following colour paint finishes:
RAL 3003, 5011, 7026, 9011, 8015, 5002 7024, 7016, 9006, 7037, 6004, 8019, 6011, 7022, 1015, 9010.

Inspection door with easily removable terminal board for quick connection.

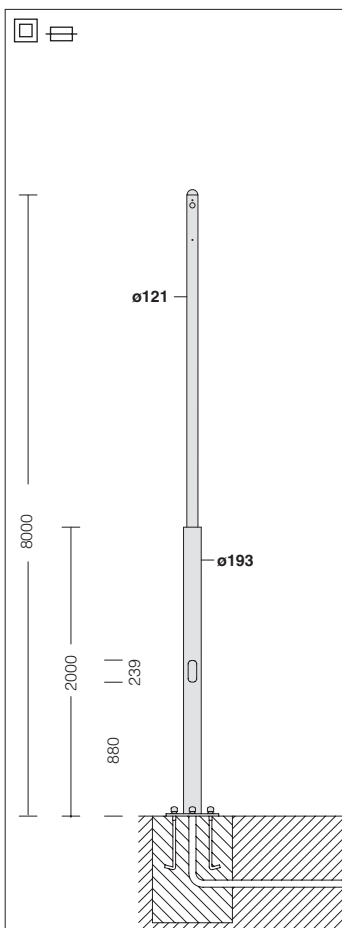
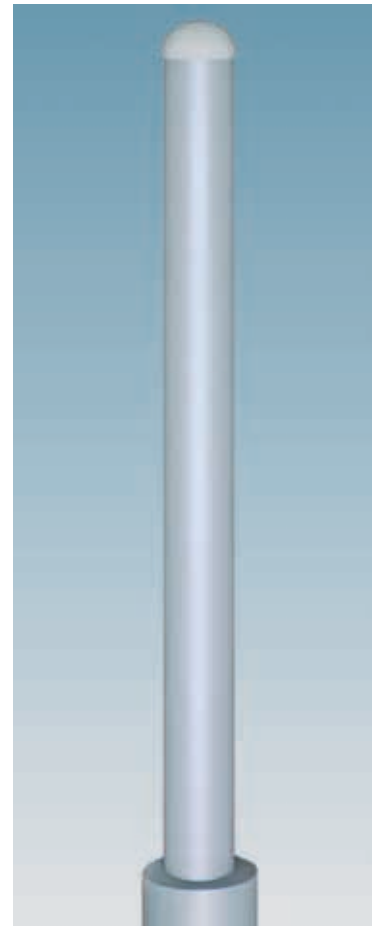


Concrete base dimensions (subject to soil variations)



acc 1475 Aliante pole to be buried			
h a. 8000	h u. 800	silver	426180

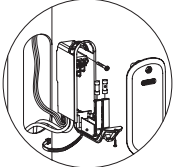
Supplied with end cap and holes to let the cables through. The painted version is with RAL selected colour as indicated. Cycle pathway versions are available on request.



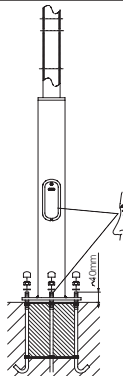
ON REQUEST

Possibility of supplying poles with the following colour paint finishes:
RAL 3003, 5011, 7026, 9011, 8015, 5002 7024, 7016, 9006, 7037, 6004, 8019, 6011, 7022, 1015, 9010.

Inspection door with easily removable terminal board for quick connection.

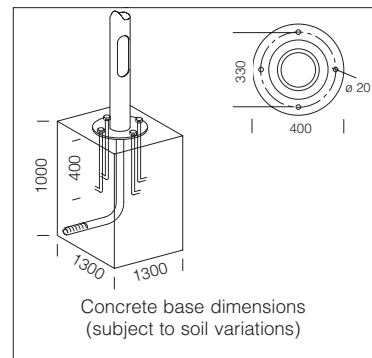


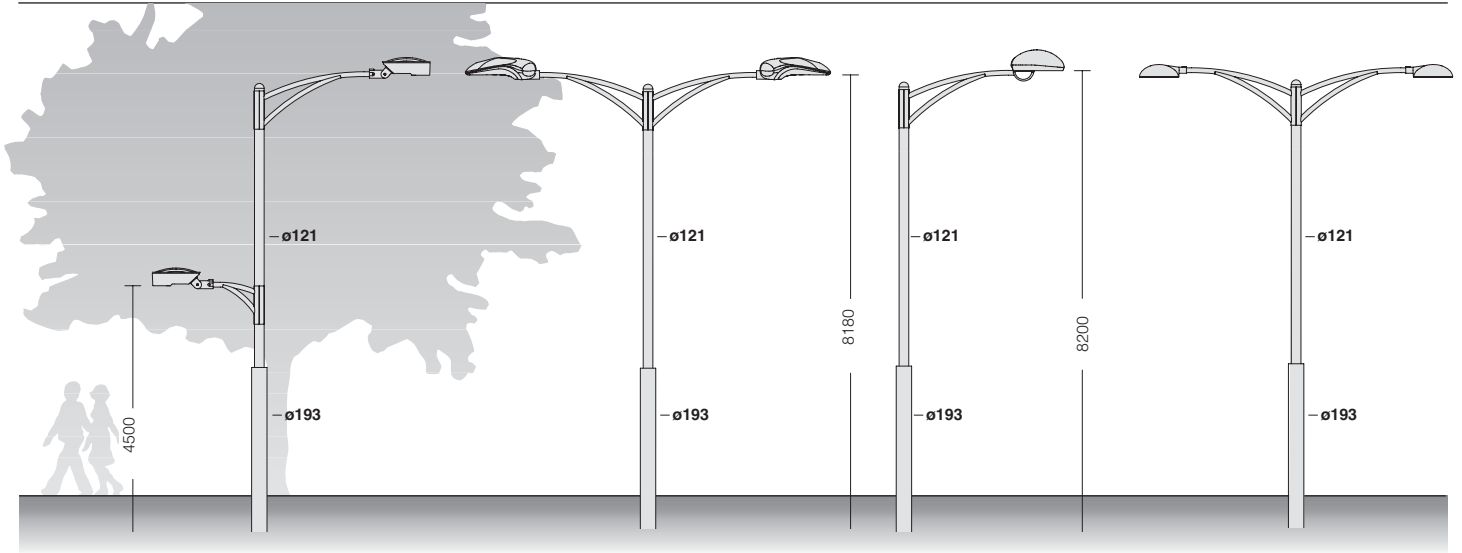
For correct installation of pole and base, the ceiling cap should be fitted as shown in the assembly drawing featured opposite



acc 1476 Aliante pole with base		
h a. 8000	silver	426190

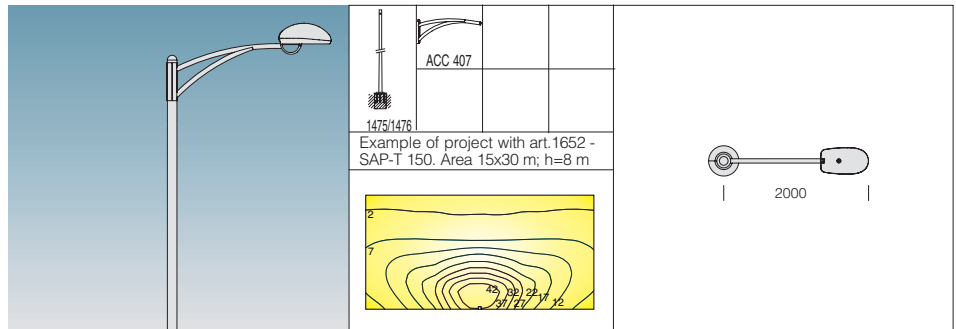
Supplied with end cap and holes to let the cables through. The painted version is with RAL selected colour as indicated. Cycle pathway versions are available on request.





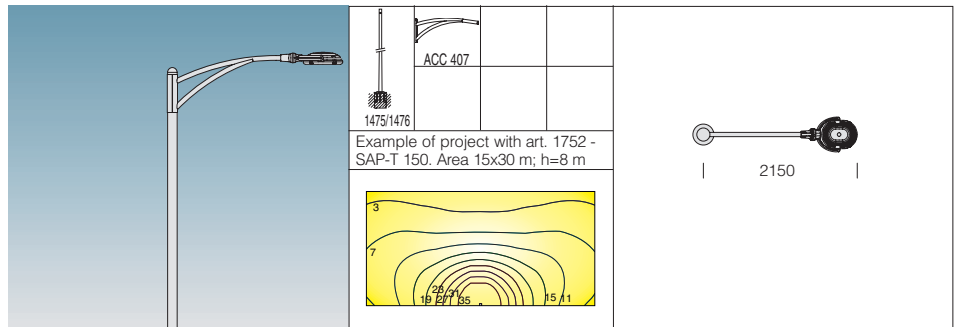
ES. ac 91 - 1 Giovi

Components:	
1 Giovi	
1 pole to be selected between acc. 1475/76*	
1 arm acc. 407	991389/90
*Pole height can be specified as desired	



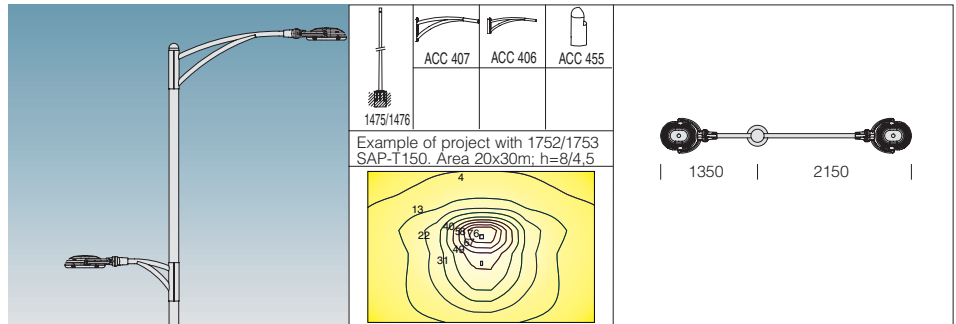
ES. ac 71 - 1 Metropolis

Components:	
1 Metropolis	
1 pole to be selected between acc. 1475/76*	
1 arm acc. 407	991389/90
*Pole height can be specified as desired	



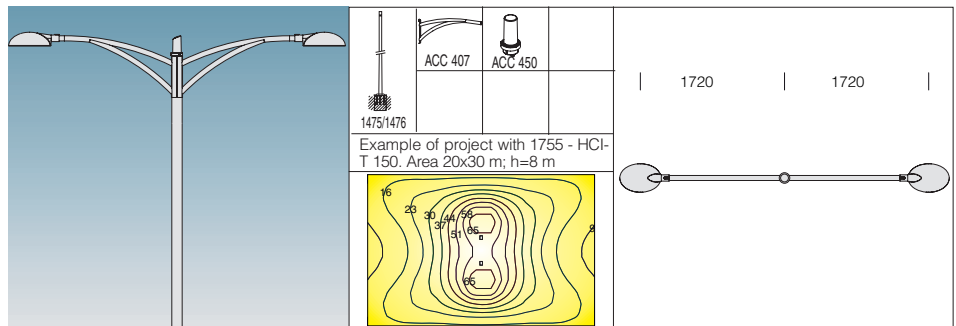
ES. ac 76 - 2 Metropolis

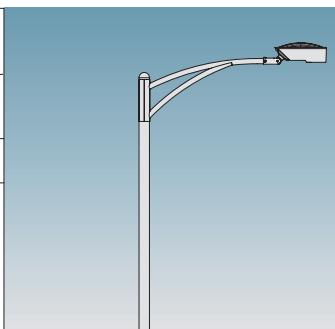
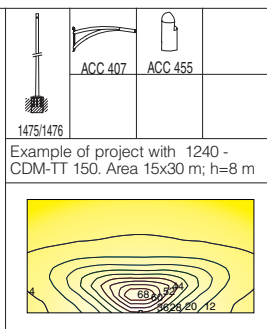
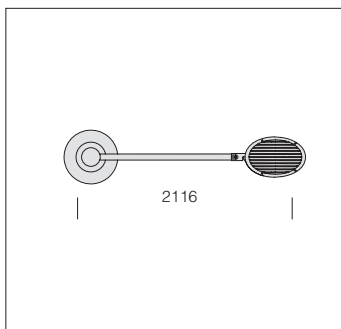
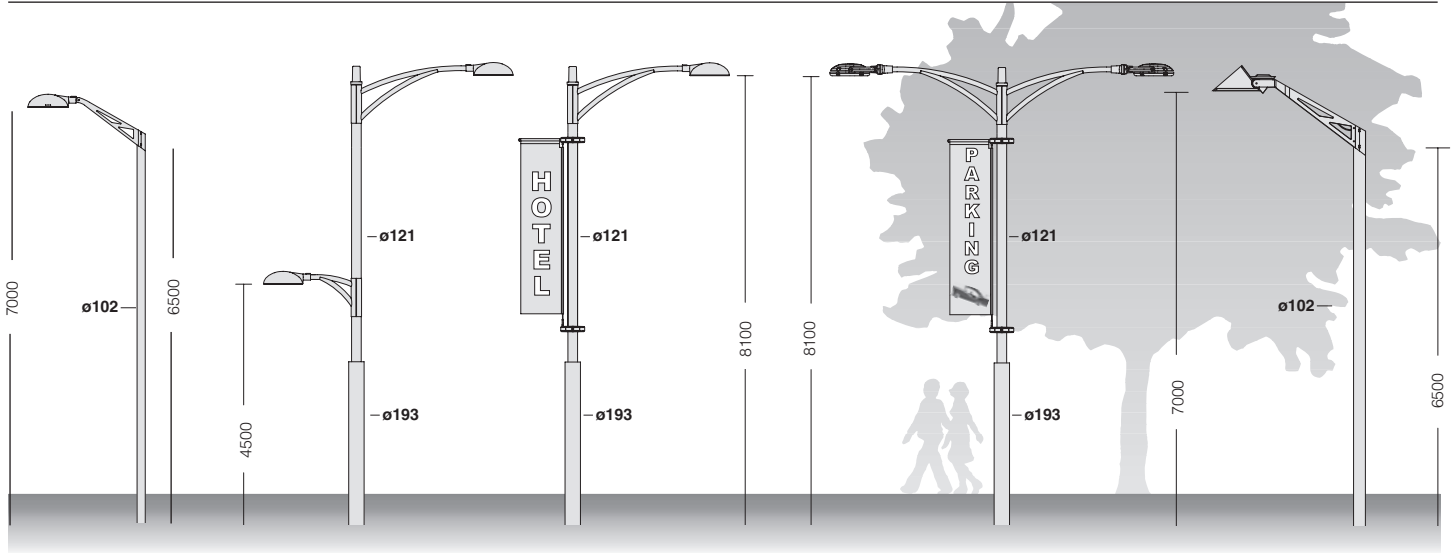
Components:	
2 Metropolis	
1 pole to be selected between acc. 1475/76*	
1 arm acc. 407	991389/90
1 arm acc. 406	991387/88
*Pole height can be specified as desired	



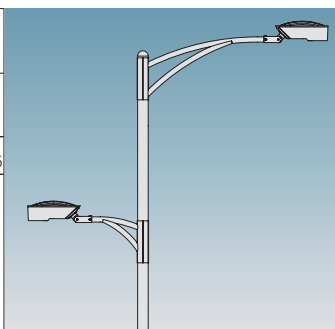
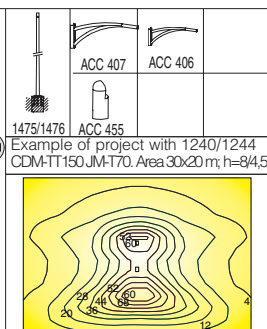
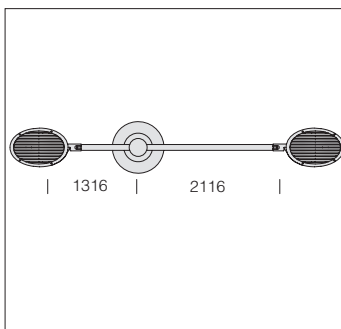
ES. ac 23 - 2 Monza

Components:	
2 Monza	
1 pole to be selected between acc. 1475/76*	
2 arms acc. 407	991389/90
1 led head acc. 450	991395
*Pole height can be specified as desired	

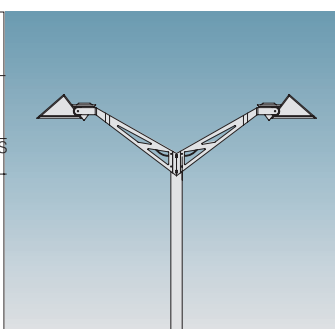
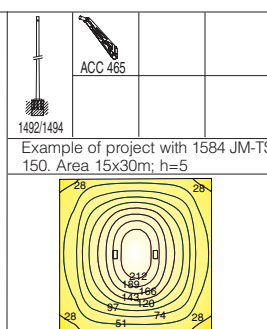
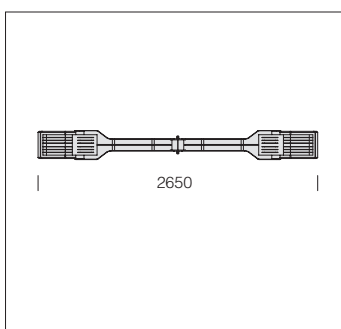




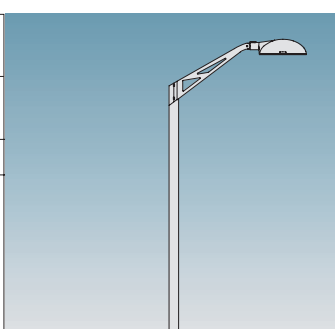
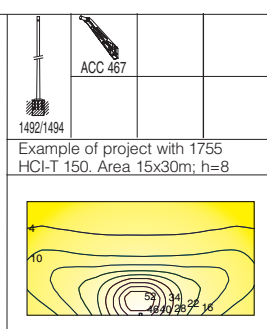
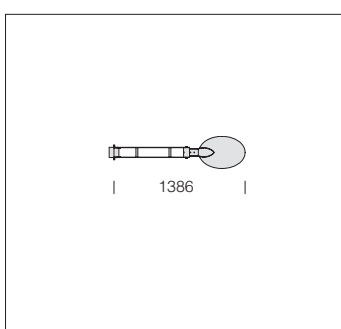
ES. ac 15 - 1 Torpedo	
Components:	
1 Torpedo	
1 pole to be selected between acc. 1475/76*	
1 arm acc. 407	991389/90
1 attachment acc. 455	991400/01
*Pole height can be specified as desired	



ES. ac 17 - 2 Torpedo	
Components:	
2 Torpedo	
1 pole to be selected between acc. 1475/76*	
1 arm acc. 407	991389/90
1 arm acc. 406	991387/88
2 attachments acc. 455	991400/01
*Pole height can be specified as desired	



ES. ac 26 - 2 Agadir	
Components:	
2 Agadir	
1 pole to be selected between acc. 1492/1494*	
2 arms acc. 465	991411
*Pole height can be specified as desired	



ES. ac 25 - 1 Monza	
Components:	
1 Monza	
1 pole to be selected between acc. 1492/1494*	
1 arm acc. 467	991413
*Pole height can be specified as desired	