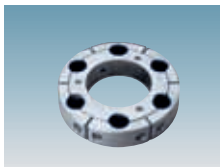
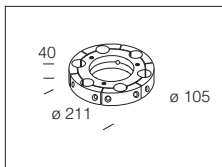
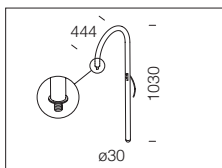


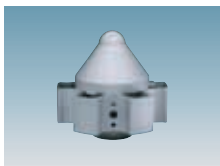
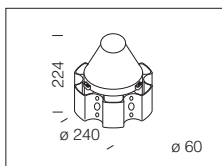
acc. 1364 Corona	
black	426981
s. silver	426988
Die-cast alum. For max 6 arms acc 1362 or 1363. Complete with terminal block.	



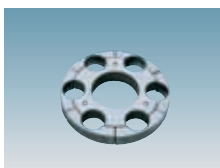
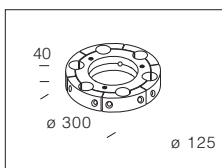
acc. 1365 Corona flange	
black	426982
s. silver	426989
Die-cast alum. Complete with 6 arm-stop devices to reinforce the assembly.	



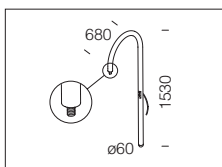
1373 curved arm	
black	426905
s. silver	426920
In tropicalized steel. Apply to acc. 1364/65 and pole acc. 1408/1409.	



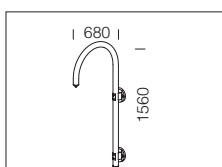
acc. 1464 Corona	
s. silver	426990
black	426984
Die-cast alum. For max 6 arms acc 181. Complete with terminal block.	



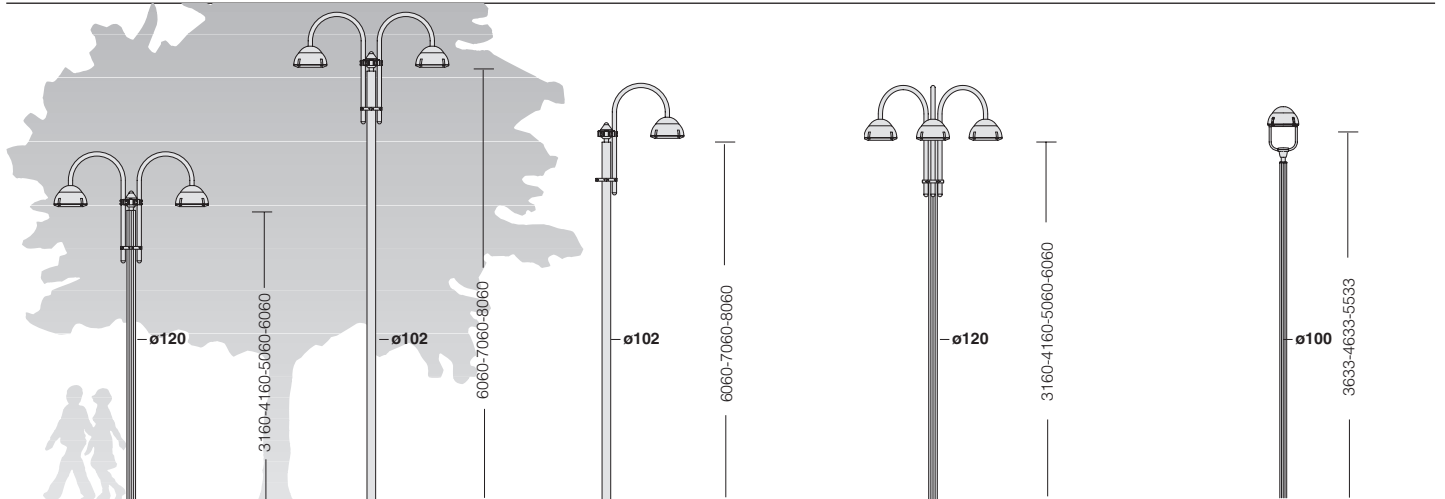
acc. 1465 Corona flange	
s. silver	426991
black	426985
Die-cast alum. Complete with 6 arm-stop devices to reinforce the assembly.	



acc. 1473 curved arm	
black	426915
s. silver	426921
In tropicalized steel. Apply to acc. 1464/1465 and pole acc. 1508/1509.	



acc. 1474 curved arm for a wall	
graphite	426927
Complete with 2 bases in die-cast aluminium for wall mounting application.	

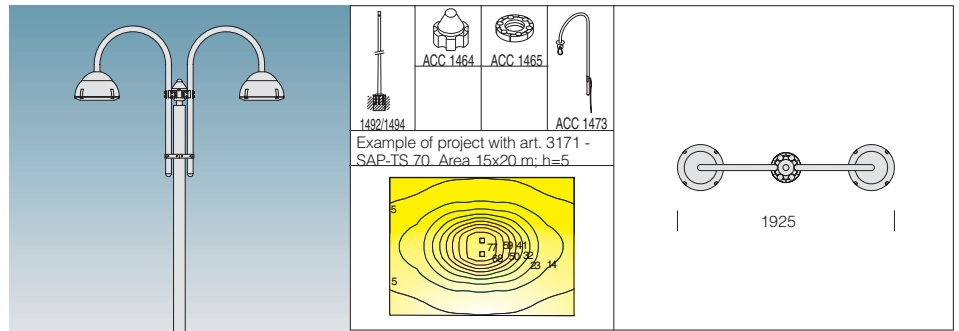


ES. ac 32 - Montecarlo

Components:

2 Montecarlo art. 3171/72/73	
1 pole to be chosen between acc. 1492/94*	
1 Corona acc. 1464	426984/90
1 flange acc. 1465	426985/91
2 arms acc. 1473	426915/21

*pole height can be specified as desired

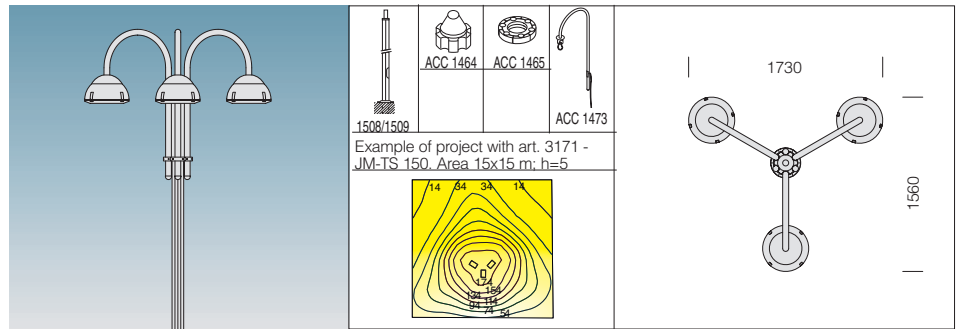


ES. b 33 - Montecarlo

Components:

3 Montecarlo art. 3171/72/73	
1 pole to be chosen between acc. 1508/09*	
1 Corona acc. 1464	426984/90
1 flange acc. 1465	426985/91
3 arms acc. 1473	426915/21

*pole height can be specified as desired

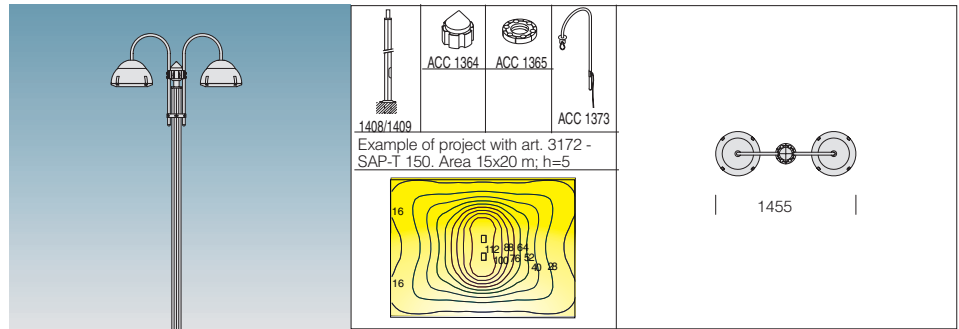


ES. a 25 - Montecarlo

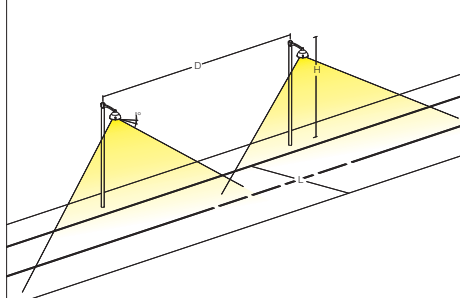
Components:

2 Montecarlo art. 3171/72/73	
1 pole to be chosen between acc. 1408/09*	
1 Corona acc. 1364	426981/88
1 flange acc. 1365	426982/89
2 arms acc. 1373	426905/20

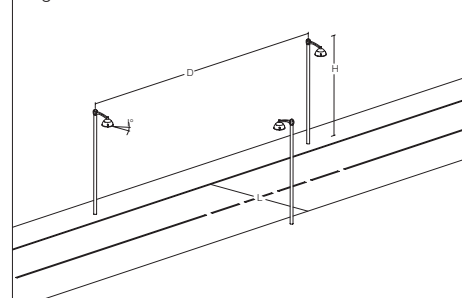
*pole height can be specified as desired



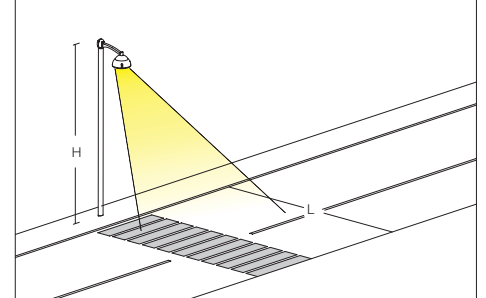
E.g. Installation art. 3172 unilateral road version

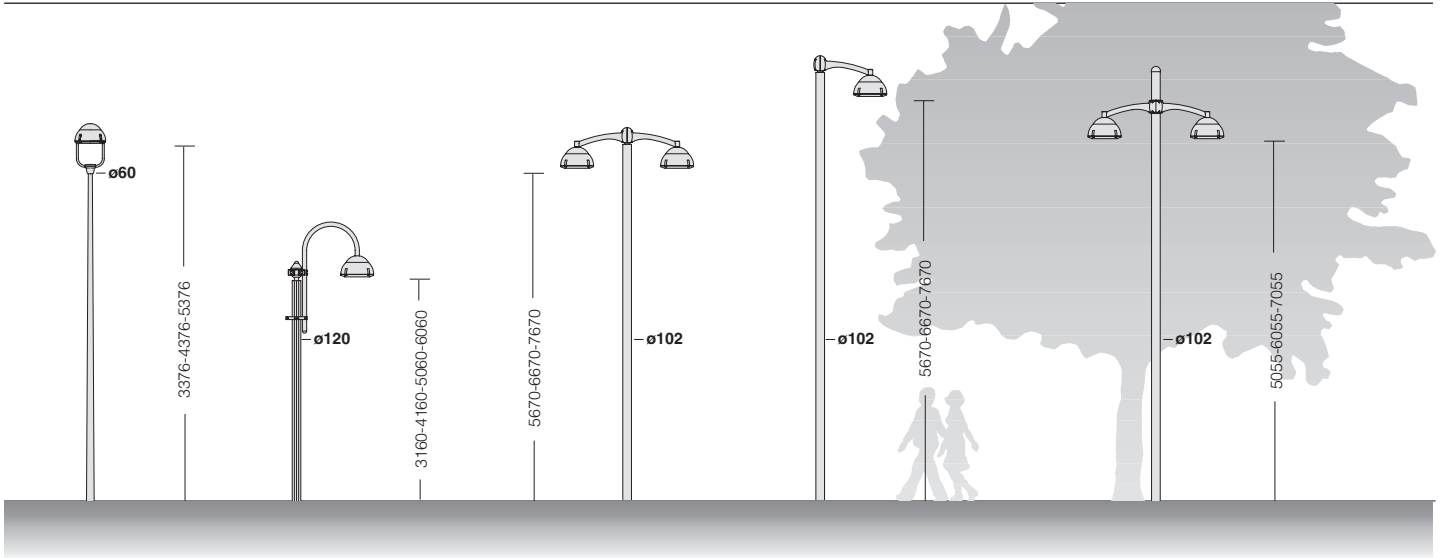


E.g. Installation art. 3172 bilateral road version



Installation example art. 3171





1860

ACC 300	ACC 301	ACC 304
---------	---------	---------

1492/1494

Example of project with art. 3171 - JM-TS 150. Area 15x20 m; h=5

ES. ac 34 - Montecarlo	
Components:	
2 Montecarlo art. 3171/72/73	
1 pole to be chosen between acc. 1492/94*	
1 Oliva acc. 300	426970/71
2 Oliva arms 301	426972/73
2 threaded connec. acc. 304	426978
*a pole height can be specified as desired	

948

ACC 211	ACC 301	ACC 304
---------	---------	---------

1493/1494

Example of project with art. 3171 - JM-TS 150. Area 15x10 m; h=6

ES. ac 35 - Montecarlo	
Components:	
1 Montecarlo art. 3171/72/73	
1 pole to be chosen between acc. 1493/94*	
1 sector acc. 211	426952/53
1 Oliva arm acc. 301	426972/73
1 threaded connec. acc. 304	426978
*pole height can be specified as desired	

1045

ACC 1474

Example of project with art. 3171 - SAP-TS 150. Area 15x10 m; h=6

ES. c 13 - Montecarlo short arm	
Components:	
1 Montecarlo art. 3171/72/73	
1 curved arm acc. 1474	426927

lighting results art. 3172 Montecarlo											
Source	Flux	Disp.	S	H	L	D	I	Lm	Uo	UI	TI
SAP-T 150W	15000	Unilat.	0	8	8	22	0°	1.55	0.42	0.73	3.49
CDM-TT 150W	13500	Unilat.	0	6	7	21	0°	1.0	0.69	0.65	3.16
SAP-T 150W	15000	Bil.	0	8	8	38	0°	1.84	0.59	0.60	3.13

lighting results art. 3171 Montecarlo			
Source	Flux	H	L
SAP-TS 70W	6800	3.4	6
SAP-TS 70W	6800	4.4	6
SAP-TS 150W	15000	5.4	7