



Housing: Made of die-cast aluminium.

Cover: Made of aluminium plate.

Coating: In several stages. First stage: grey epoxy cationic electro-coating, resistant to corrosive and saline environments. Second stage: UV stabilising priming; final stage: a rough finish with graphite or sand-silver acrylic paint.

Electric gear: Supply at 230V/50Hz with termic protection.

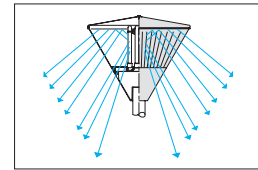
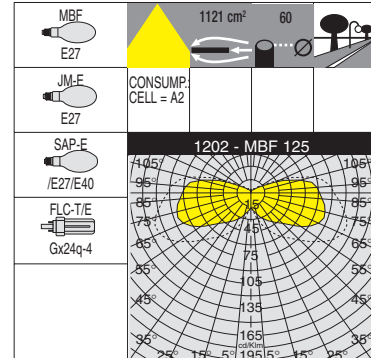
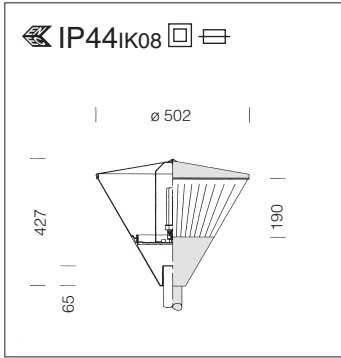
Equipment: 6.3A protection fuse. Rubber cable gland, Ø 1/2 gas thread.

Milan



Puerto Montt - Chile

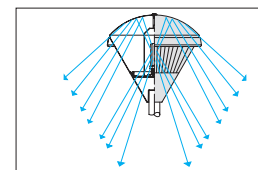
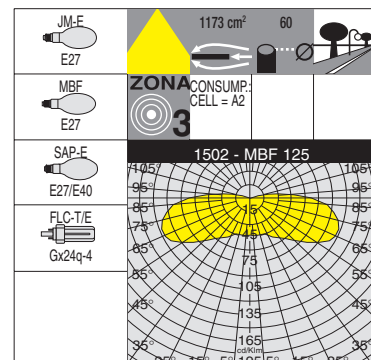
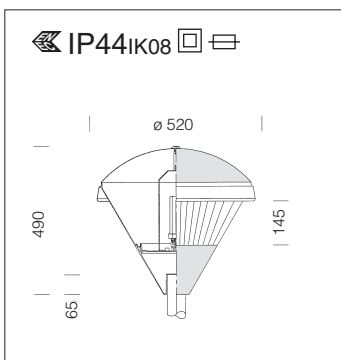




Diffuser: In vandal resistant and V2 self-extinguishing polycarbonate, UV stabilized, smooth outside, scored inside.

1202 Polar									
		S		CNR-F		CELL-F		CNRL-F	
wattage	colour	weight	code	weight	code	weight	code	weight	code
Max 60	graphite	3.20	422134-00						
MBF 125	graphite			4.40	422135-00				
SAP-E 70*	graphite			4.75	422136-00				
SAP-E 100	graphite			4.85	422137-00				
FLC 42 T/E	graphite					4.10	422138-00		
JM-E 100	graphite							4.80	422139-00

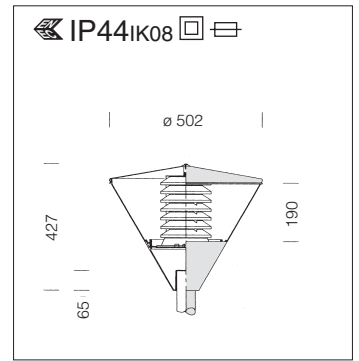
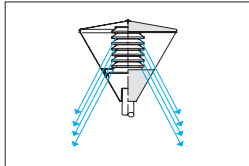
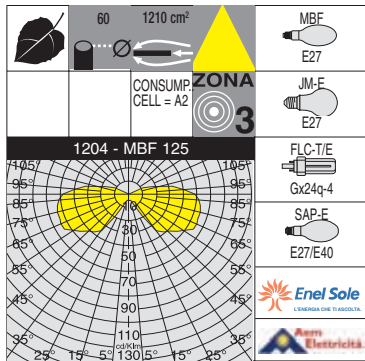
* use lamp with built-in igniter
Lamps: FLC 42T/E 4000K 3200 lm ; JM-E 100 3200K 9000 lm



Diffuser: In vandal resistant and V2 self-extinguishing polycarbonate, UV stabilized, smooth outside, scored inside.

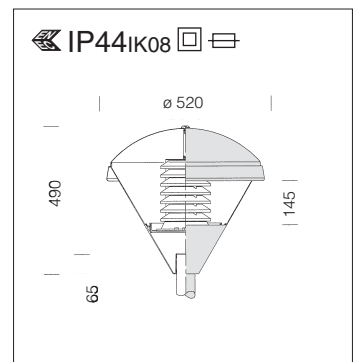
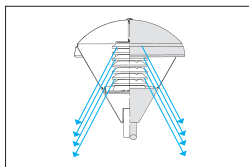
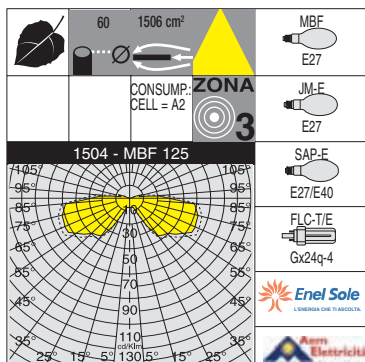
1502 Polar									
		S		CNR-F		CELL-F		CNRL-F	
wattage	colour	weight	code	weight	code	weight	code	weight	code
Max 60	graphite	3.30	422128-00						
MBF 125	graphite			4.60	422129-00				
MBF 125	s. silver			4.60	422112-00				
SAP-E 70*	graphite			4.75	422130-00				
SAP-E 70*	s. silver			4.75	422113-00				
SAP-E 100	graphite			4.85	422131-00				
SAP-E 100	s. silver			4.85	422114-00				
FLC 42 T/E	graphite					4.50	422132-00		
JM-E 100	graphite							4.60	422133-00

* use lamp with built-in igniter
Lamps: FLC 42T/E 4000K 3200 lm ; JM-E 100 3200K 9000 lm



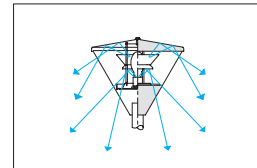
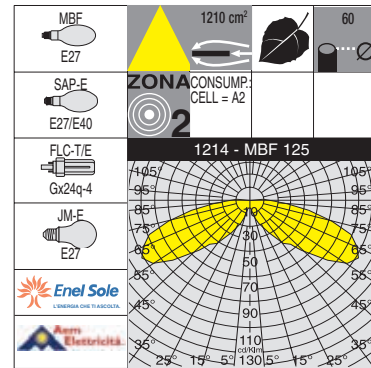
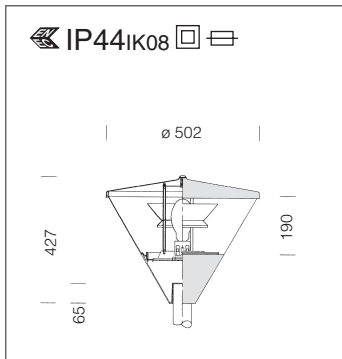
Reflector: Matt aluminium louvre.
Diffuser: In vandal resistant polycarbonate and self-extinguishing V2, stabilized for UV rays.

1204 Clima								
		CNR-F		CELL-F		CNRL-F		Lamps (Ta=25°C)
wattage	colour	weight	code	weight	code	weight	code	Kelvin - ølm - Ra
MBF 125	graphite	5.10	422285-00					
MBF 125	s. silver	5.10	422209-00					
SAP-E 70	graphite	5.40	422286-00					
SAP-E 70	s. silver	5.40	422210-00					
SAP-E 100	graphite	5.40	422287-00					
SAP-E 100	s. silver	5.40	422211-00					
FLC 42T/E	graphite			4.10	422288-00			4000K - 3200lm - Ra 1b
JM-E 100	graphite					4.80	422289-00	3200K - 9000lm - Ra 2a



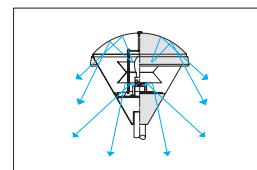
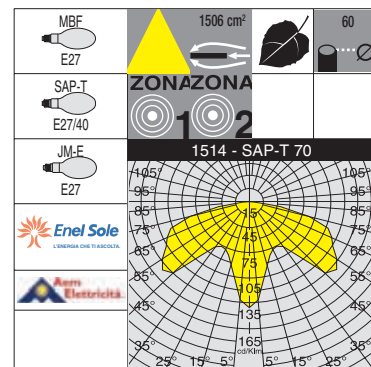
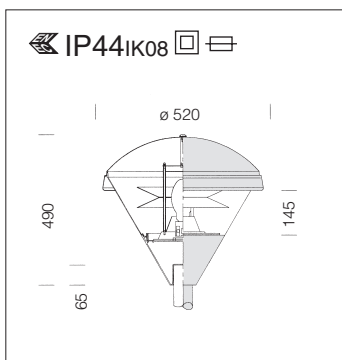
Reflector: Matt aluminium louvre.
Diffuser: In vandal resistant polycarbonate and self-extinguishing V2, stabilized for UV rays.

1504 Clima								
		CNR-F		CELL-F		CNRL-F		Lamps (Ta=25°C)
wattage	colour	weight	code	weight	code	weight	code	Kelvin - ølm - Ra
MBF 125	graphite	5.10	422340-00					
MBF 125	s. silver	5.10	422216-00					
SAP-E 70	graphite	5.40	422341-00					
SAP-E 70	s. silver	5.40	422215-00					
SAP-E 100	graphite	5.40	422342-00					
SAP-E 100	s. silver	5.40	422214-00					
FLC 42T/E	graphite			4.10	422343-00			4000K - 3200lm - Ra 1b
JM-E 100	graphite					4.80	422344-00	3200K - 9000lm - Ra 2a



Reflector: Matt aluminium louvre.
Diffuser: In vandal resistant polycarbonate and self-extinguishing V2, stabilized for UV rays.

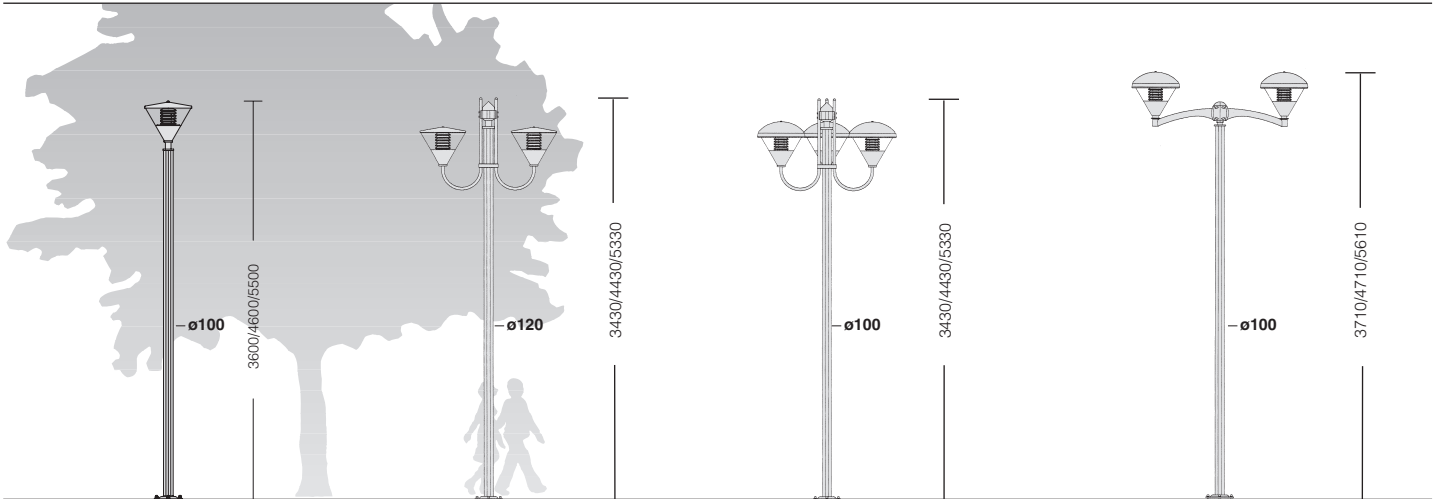
1214 Clima								
		CNR-F		CELL-F		CNRL-F		Lamps (Ta=25°C)
wattage	colour	weight	code	weight	code	weight	code	Kelvin - ølm - Ra
MBF 125	graphite	5.10	422350-00					
SAP-E 70	graphite	5.40	422351-00					
SAP-E 100	graphite	5.40	422352-00					
FLC 42T/E	graphite			4.10	422353-00			4000K - 3200lm - Ra 1b
JM-E 100	graphite					5.80	422354-00	3200K - 9000lm - Ra 2a



Reflector: Black aluminium louvre.
1514 Zona 1 with black alum. louvre.
1514 Zona 2 with aluminium louvre.
Diffuser: In vandal resistant polycarbonate and self-extinguishing V2, stabilized for UV rays.

1514 Clima - zona 2			
		CNR-F	
wattage	colour	weight	code
MBF 125	graphite	5.70	422360-00
MBF 125	s. silver	5.70	422279-00

1514 Clima - zona 1							
		CNRL-F		Lamps (Ta=25°C)			
wattage	colour	weight	code	Kelvin - ølm - Ra			
SAP-T 70	graphite	5.30	422361-00	2000K - 6000lm - Ra 4			
SAP-T 70	s. silver	5.30	422331-00	2000K - 9000lm - Ra 4			
SAP-T 100	graphite	5.40	422362-00	4000K - 5000lm - Ra 2a			
SAP-T 100	s. silver	5.40	422333-00	3200K - 9000lm - Ra 2a			
JM-E 70	graphite	5.30	422363-00				
JM-E 70	s. silver	5.30	422335-00				
JM-E 100	graphite	5.40	422364-00				
JM-E 100	s. silver	5.40	422337-00				



ES. a 90 - with pole Ø100 - 1 Clima

Components:

1 Clima (choose 1 among the art.)

1 pole to be chosen between acc 1408 e 1409*

*pole height can be specified as desired

1408/1409			
-----------	--	--	--

Example of project with art.1204 - JM-E100. Area 8x8 m; h=3,1m

LEGENDA

- 1
- 2
- 3
- 4
- 5
- 6
- 7

502

ES. a 92 - with pole Ø100 - 3 Clima

Components:

3 Clima (choose 3 art.)

1 pole to be chosen between acc 1408 e 1409*

3 curved arms acc. 1362 (choose the size)

1 corona acc. 1364	426981
1 flange acc. 1365	426982

*pole height can be specified as desired

1408/1409	ACC 1362	ACC 1364	ACC 1365
-----------	----------	----------	----------

Example of project with art.1504 - JM-E100. Area 10x10 m; h=3,1m

LEGENDA

- 6
- 9
- 12
- 15
- 18
- 21
- 24
- 27

498

ES. a 93 - with pole Ø100 - 2 Clima

Components:

2 Clima (choose 2 art.)

1 pole to be chosen between acc 1408 e 1409*

2 arms oliva acc. 301	426972/73
1 oliva acc. 300	426970/71
1 attachment ø60 acc. 303	426976/77

*pole height can be specified as desired

1408/1409	ACC 300	ACC 301	ACC 303
-----------	---------	---------	---------

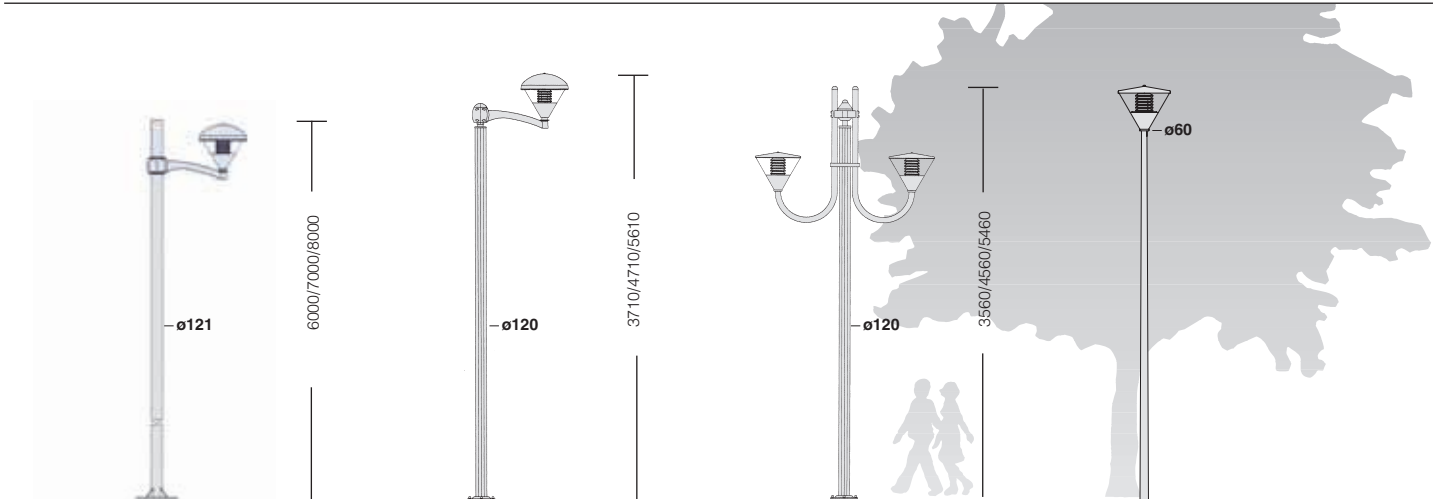
Example of project with art.1504 - MBF125. Area 12x6 m; h=3,1m

LEGENDA

- 5
- 7
- 9
- 11
- 13
- 15
- 17
- 19
- 21

1400





<p>700</p>	<p>1508/1509</p>	<p>ACC 300</p>	<p>ACC 301</p>	<p>ACC 303</p>	
	<p>Example of project with art.1504 - SAP-E100. Area 8x8 m; h=3,1m</p>				
		<p>LEGENDA</p> <ul style="list-style-type: none"> 5 7 9 11 13 15 17 			

ES. b 90 - with pole Ø120 - 1 Clima	
Components:	
1 Clima (choose 1 among the art.)	
1 pole to be chosen between acc 1508 e 1509*	
1 oliva acc. 300	426970/71
1 Oliva arm acc. 301	426972/73
1 attachment Ø60 acc. 303	426976/77
*pole height can be specified as desired	

<p>1470</p>	<p>1508/1509</p>	<p>ACC 129</p>	<p>ACC 1462</p>	<p>ACC 1464</p>	<p>ACC 1465</p>	
	<p>Example of project with art.1204 - SAP-E100. Area 12x6 m; h=4,1m</p>					
		<p>LEGENDA</p> <ul style="list-style-type: none"> 5 7 9 11 13 15 17 				

ES. b 91 - with pole Ø120 - 2 Clima	
Components:	
2 Clima (choose 2 art.)	
1 pole to be chosen between acc 1508 e 1509*	
2 curved arms acc. 1462 (choose the size) or arm acc. 129 cod. 991328	
1 corona acc. 1464	426984
1 flange acc. 1465	426985
*pole height can be specified as desired	

<p>502</p>	<p>1480/81</p>					
	<p>Example of project with art.1204 - SAP-E100. Area 10x10 m; h=5m</p>					
		<p>LEGENDA</p> <ul style="list-style-type: none"> 5 7 9 11 13 15 17 				

ES. b 94 - with conic pole - 1 Clima	
Components:	
1 Clima (choose 1 among the art.)	
1 pole to be chosen between acc 1480 e 1481*	
*pole height can be specified as desired	

