

Housing: 6 mm. thick fibreglass reinforced polyester

Support: Die-cast aluminium with pole connection also made of die-cast aluminium.

Pole designed for Pegaso: \varnothing 102 silver colour steel. Complete with inspection window with removable terminal strip. The version with base comes complete with a plinth, 4 tie rods to be buried, bolts, nuts and caps

Single or double polyester plate to create indirect lighting effects. To be used mounted directly on the pole together with the fittings of the various products to install Pegaso on the poles - access. 1492/1494.

RECOMMENDED FLOODLIGHTS

Use of the most appropriate floodlight according to the environment where installed is recommended.

Cilindro
Elfo
LED - Mutanti

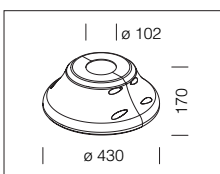
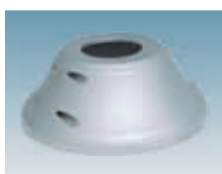
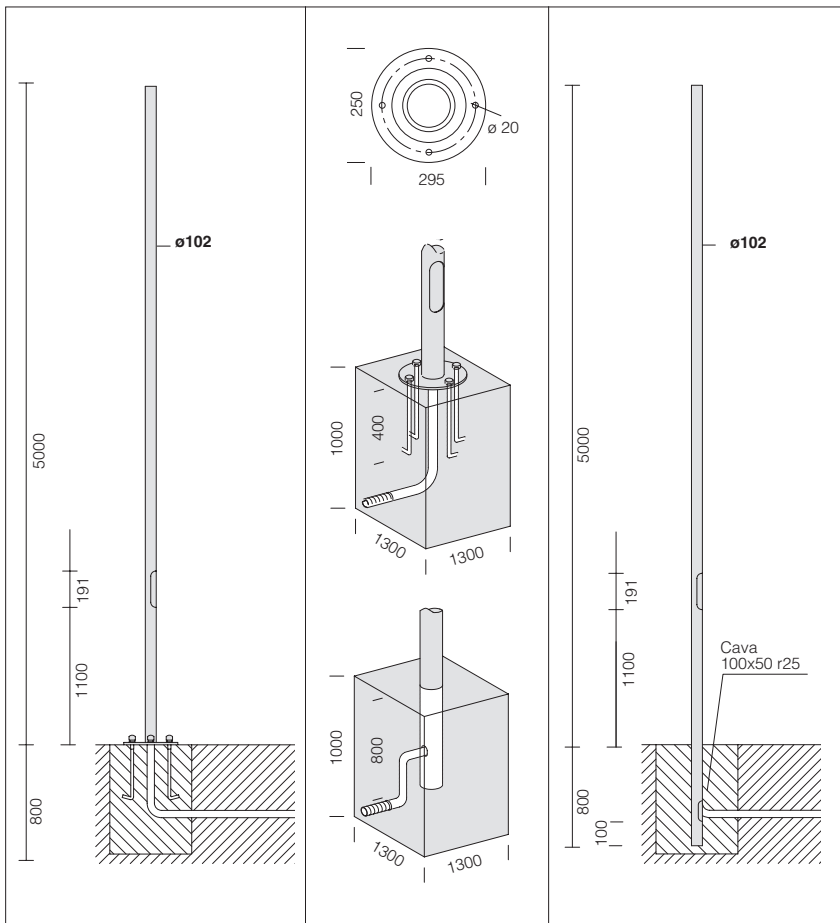
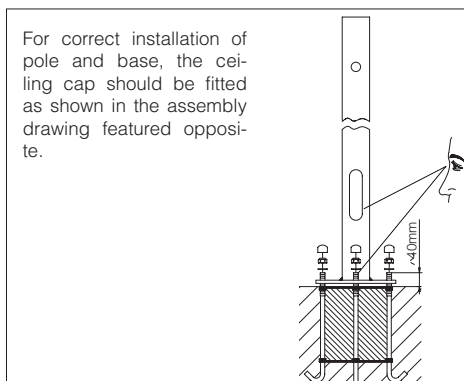


Simulation

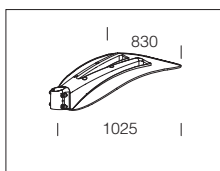
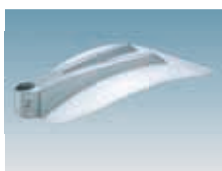


acc. 1492 pole to be buried in the ground	
5000+800	s. silver 425060

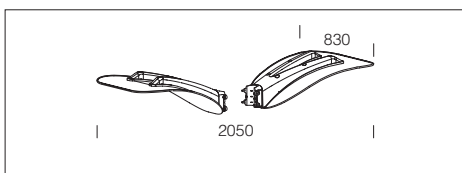
acc. 1494 pole with base	
5000	s. silver 425070



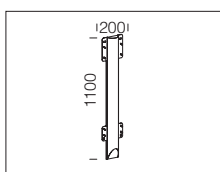
acc. 222 Pole base ø 102	
s. silver	991399
To be used as pole base cover acc. 1492/1494	



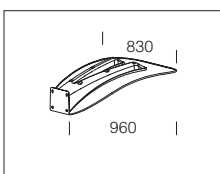
acc. 387 Pegaso single	
s. silver	991391
Indirect light plate to be mounted directly on the pole - access.1492/1494.	



acc. 388 Pegaso double	
s. silver	991392
Indirect light plate to be mounted directly on the pole - access.1492/1494.	



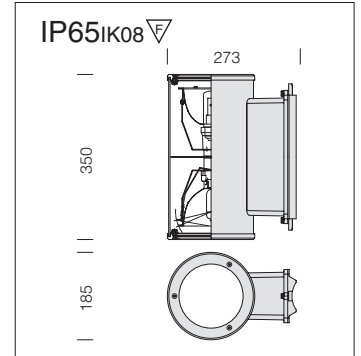
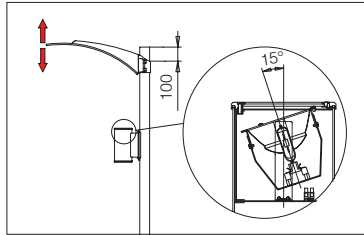
acc. 460 wall mounting	
s. silver	991398
Wall mounting for Pegaso plus Elfo.	



acc. 389 Pegaso wall mount.	
s. silver	991393
Indirect light plate to be mounted directly on the wall.	



	HCI-T G12
	FLC-T G24d-3
	ALO E 27
	CDM-T G12



Housing: In die-cast aluminium.
Reflector: In pressed polished alum. or in turned allum. anodically oxidized. Adjustable in direct light version.
Diffuser: In tempered glass 4 mm thermal shock and impacts resistant.

1290 Cilindro 1 - direct/indirect light

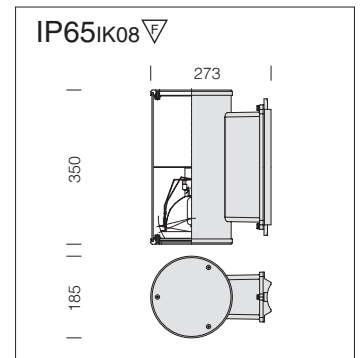
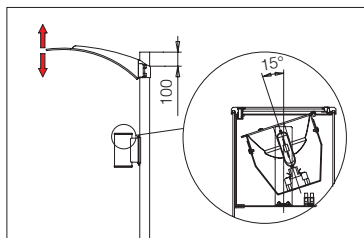
		CNRL		CELL		Lamps (Ta=25°C)
wattage	colour	weight	code	weight	code	Kelvin - ølm - Ra
HCI-T 70 + ALO E27 100W	s. silver	6.90	420415-00			3000K - 7000lm - Ra 1a
HCI-T 150 + ALO E27 100W	s. silver	6.90	420416-00			3000K - 15500lm - Ra 1b
FLC-26T + FLC-26T	s. silver	6.90	420417-00			4000K - 1800lm - Ra 1b
CDM-T 2x35	s. silver			6.90	420418-00	3000K - 3300lm - Ra 1a

Acc. 460 must be used for wall mounting. Double standard switch. The upper light can be turned off using the double switch option in compliance with the regulations provided for by law 17.

Lamps: Lamps HCI versions are completed with wide beam directional reflector.



	HCI-T G12
	FLC-T G24d-3

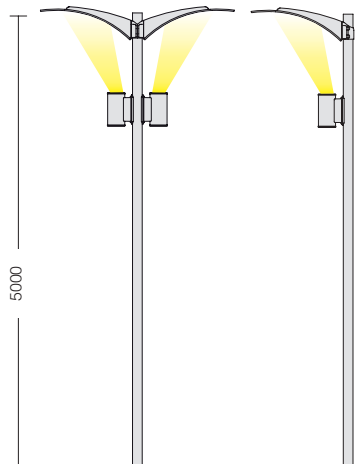


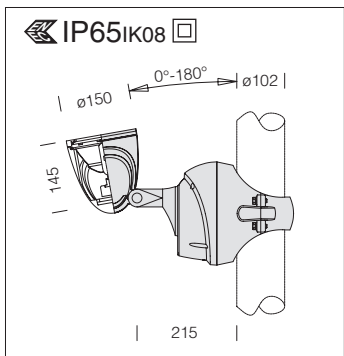
Available

1292 Cilindro 3 - direct light

		CNRL		Lamps (Ta=25°C)
wattage	colour	weight	code	Kelvin - ølm - Ra
HCI-T 70	s. silver	6.90	420432-00	3000K - 7000lm - Ra 1a
HCI-T 150	s. silver	6.90	420433-00	3000K - 15500lm - Ra 1b
FLC 1x26T	s. silver	6.90	420434-00	4000K - 1800lm - Ra 1b

For the wall installation always use acc. 460.





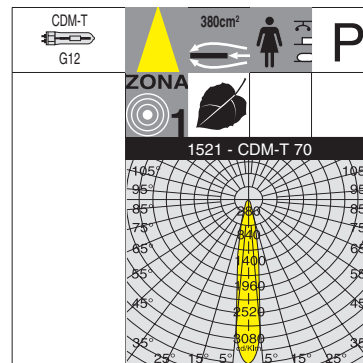
Housing: In die-cast aluminium with wide cooling fins.

Reflector: In turned alum., anodically oxidized and polished with anti-glare reflector.

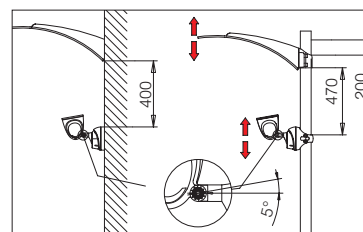
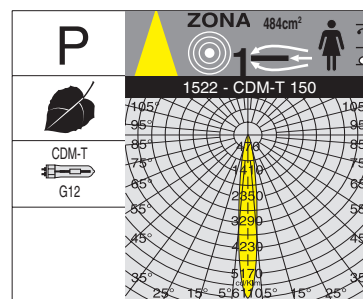
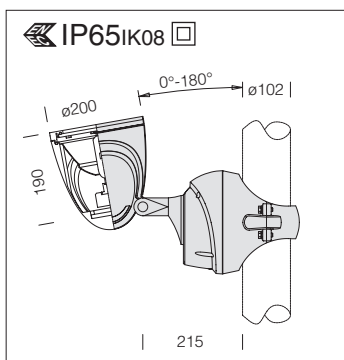
Diffuser: Tempered glass 4 mm thermal shock and impacts resistant.

Coating: In several stages. Epoxy cationic electrocoating, grey, resistant to corrosive and saline environments. Second stage: U.V-stabilising primer; final stage rough finish with acrylic coating.

Electric gear: Supplied at 230V with termic protection. Terminal block 2P with max lead cross section allowed 2,5 mm².



1521 Elfo - wide beam				
		CNRL		Lamps (Ta=25°C)
wattage	colour	weight	code	Kelvin - ølm - Ra
CDM-T 70	s. silver	4.30	432030-00	4200K - 6600lm - Ra 1a
For pole installation acc. 1492/1494.				



1522 Elfo - wide beam				
		CNRL		Lamps (Ta=25°C)
wattage	colour	weight	code	Kelvin - ølm - Ra
CDM-T 150	s. silver	6.50	433030-00	4200K - 12700lm - Ra 1a
For pole installation acc. 1492/1494.				

