



Bardejov - Slovakia (UNESCO's Patrimony)

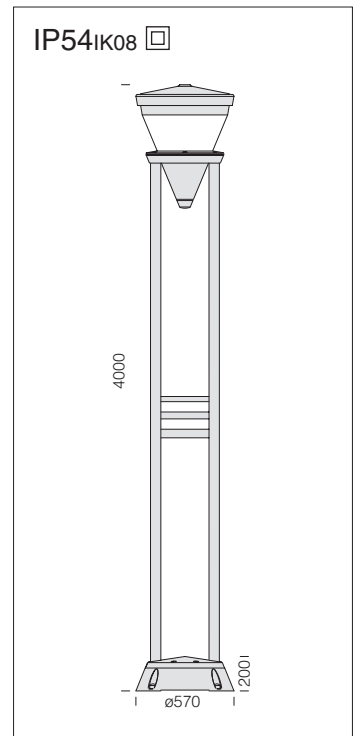
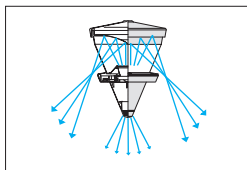
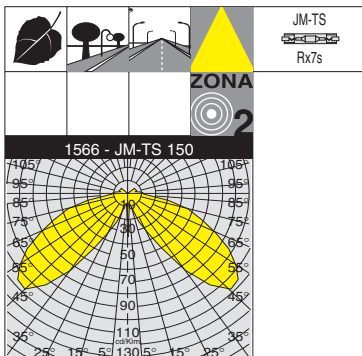
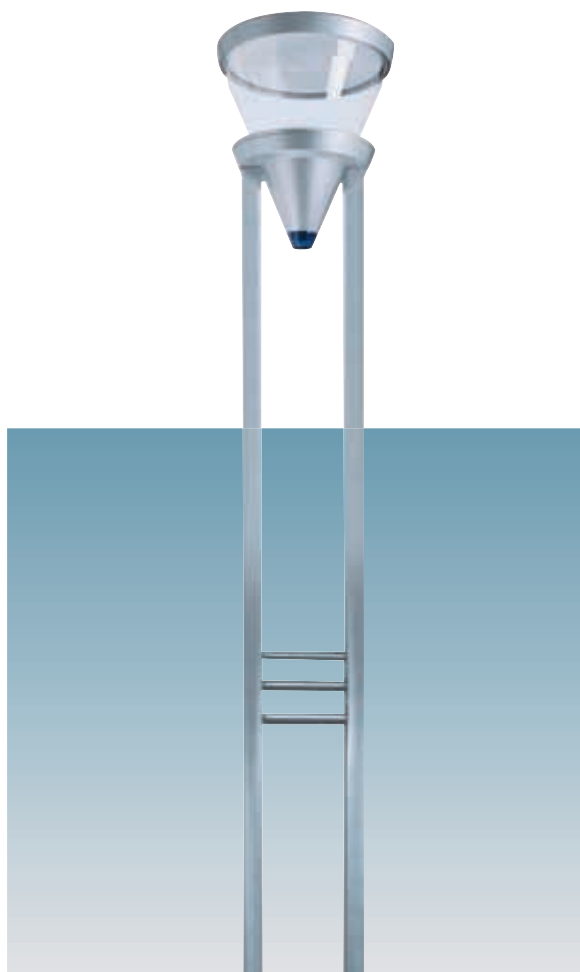
Housing: In die-cast aluminium

Diffuser: In vandal-resistant, V2 self-extinguishing clear polycarbonate.

Coating: In several stages: epoxy cationic electrocoating; rough finish consisting of a grey or sanded silver acrylic coating.

Electric gear: 230V/50Hz power supply with traditional ballast and heat protection. Silicone terminated wires with admiralty brass clamps, fibreglass braid 1.0 sqmm. 2P terminal block with maximum allowed lead cross section of 2,5 sqmm.

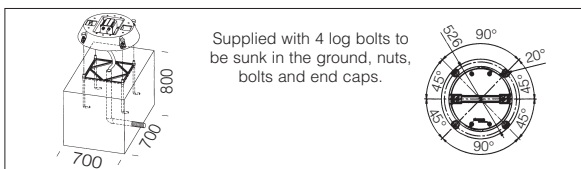
Design: arch.
Annalisa
Bombonato



1566 Morgana - with a pole

		CNRL		Lamps (Ta=25°C)
wattage	colour	weight	code	Kelvin - ølm - Ra
JM-TS 150	sil.+blue	90.00	423040-00	4200K - 12000lm - Ra 1b

Complete with blue or other colour lens (see acc. 149)

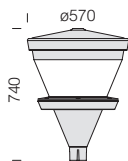


Housing: In die-cast alum.with a coloured filter in polycarbonate.

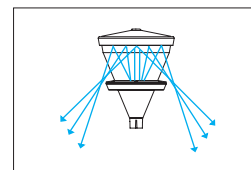
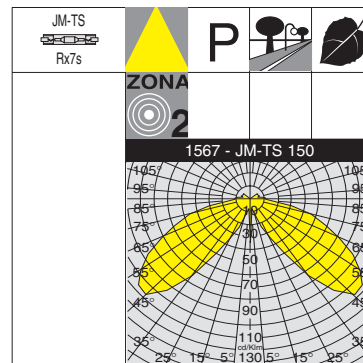
Complete with an s. steel matt pole sec. 60x60.

Base: In cast-iron.

IP54IK08

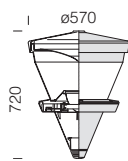


Housing: In die-cast alum. ready for pole or arm attachment Ø 60.

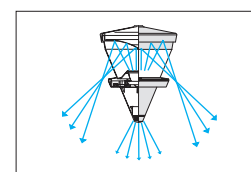
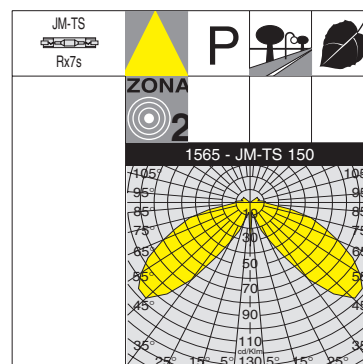


1567 Morgana - without lens				
		CNRL		Lamps (Ta=25°C)
wattage	colour	weight	code	Kelvin - ølm - Ra
JM-TS 150	s. silver	15.70	424030-00	4200K - 12000lm - Ra 1b
For pole use with attachment ø 60.				

IP54IK08



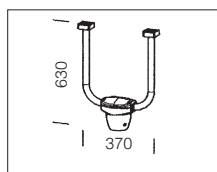
Housing: In die-cast alum. with a coloured filter in polycarbonate.



1565 Morgana - with lens				
		CNRL		Lamps (Ta=25°C)
wattage	colour	weight	code	Kelvin - ølm - Ra
JM-TS 150	sil.+ blue	15.70	423030-00	4200K - 12000lm - Ra 1b
Blue or other coloured lens included(see acc. 149). To be used with the acc. 137 for the installation on pole ø 60.				



acc. 149 lens	
red	991352
green	991353
neutral	991354
At the time of ordering please specify desired lens colour and relevant code number.	



acc. 137 upward arm	
s. silver	991346
For column Ø 60 mounting of art. 1565.	