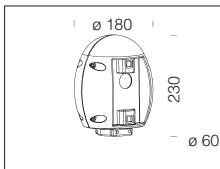
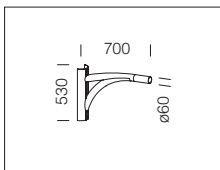


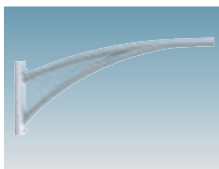
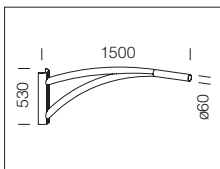
acc. 368 mast-top pole connect.	
galvan.	426996
In galvan. steel. To be used as a mast-top connect. on poles acc. 1491/1493/1505/1503.	



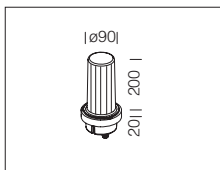
acc. 300 Oliva	
s. silver	426970
graphite	426971
In alum. For pole installations ø60 of arms acc. 210 o 301.	



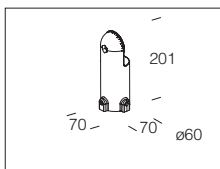
acc. 406 Aliante arm	
s. silver	991387
graphite	991388
In steel. Permits the pole application for art. 1475/1476.	



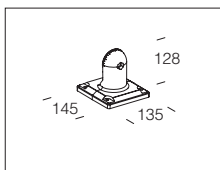
acc. 407 Aliante arm	
s. silver	991389
graphite	991390
In steel. Permits the pole application for art. 1475/1476.	



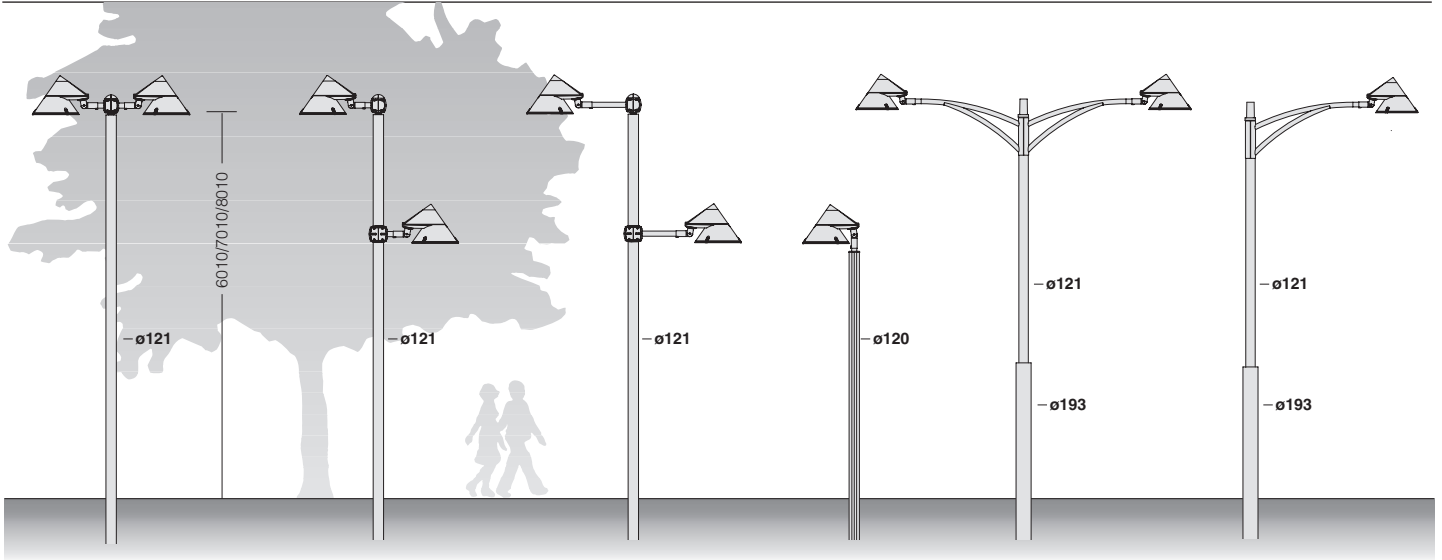
acc. 450 LED head	
LED white	991395
LED blue	991395-71
Die-cast alum. connection. To be installed on ø120 pole to give an aesthetic finish.	



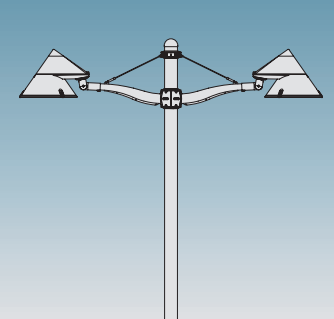
acc. 455 small pole connect.	
graphite	991400
s. silver	991401
To be used to install art. Volo on Ø60 pole. Adjustable connection.	



acc. 456 small wall connection	
graphite	991402
s. silver	991403
To be used to install art. Volo on a wall or on 'Lione' cube. With anti-slip rack. Adjustable connection.	



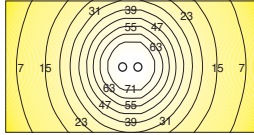
ES. ac1 - 2 Volo	
Components:	
2 Volo art. (choose one among art. 1580/81/82/72)	
1 pole to be chosen between acc. 1491/93/1503/1505*	
1 Sector acc. 211	426952/53
1 ring acc. 212	426954/55
1 attachment acc. 455	991400/01
* pole height can be specified as desired	




ACC 211	ACC 212	ACC 455

1491/3/1503/5

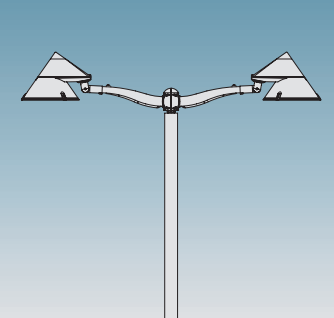
Example of project with art.1581 - SAP-T100. Area 16x8 m; h=5m



| 1150 | 1150 |



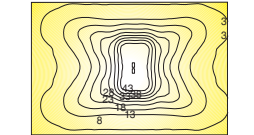
ES. ac2 - 2 Volo	
Components:	
2 Volo art. (choose one among art. 1580/81/82/72)	
1 pole to be chosen between acc. 1491/93/1503/1505*	
1 oliva acc. 300	426970/71
2 Sector arms acc. 210	426950/51
2 connect. acc. 455	991400/01
* pole height can be specified as desired	




ACC 300	ACC 210	ACC 455

1491/3/1503/5

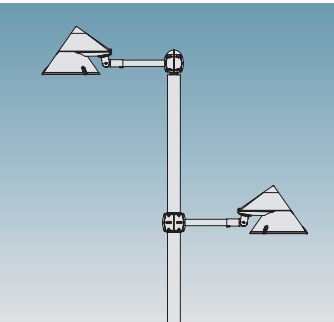
Example of project with art.1581 - SAP-T70. Area 30x20 m; h=7m



| 1135 | 1135 |



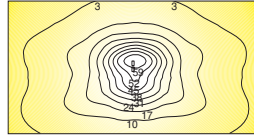
ES. ac3 - 2 Volo	
Components:	
2 Volo art. (choose one among art. 1580/81/82/72)	
1 pole to be chosen between acc. 1491/93/1503/1505*	
1 Oliva acc. 300	426970/71
2 arms acc. 328	426944/45
1 Sector acc. 211	426952/53
2 acc. 455	991400/01
* pole height can be specified as desired	



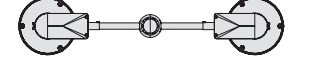
ACC 328	ACC 300	ACC 211
ACC 455		

1491/3/1503/5

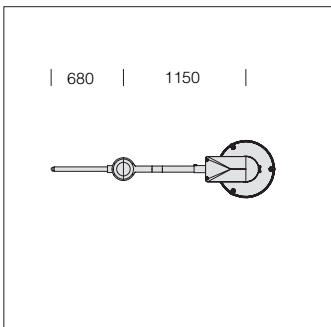
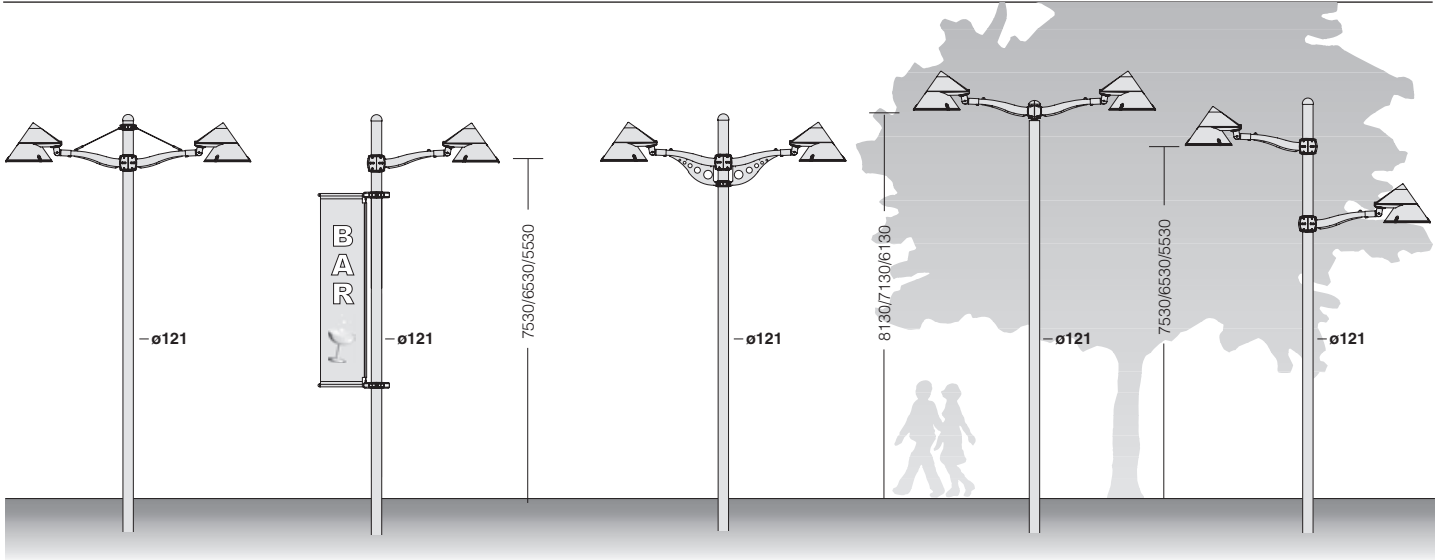
Example of project with art.1581/1572 SAP-T70/100. Area 40x20 m; h=8/6m



| 970 | 985 |



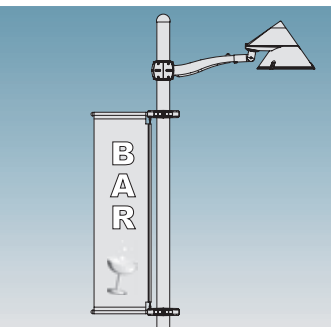




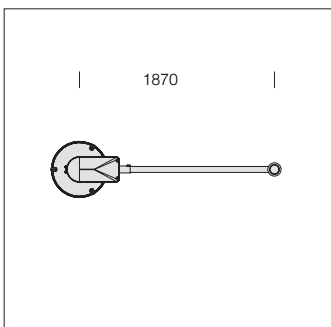
ACC 211	ACC 210	ACC 213
ACC 455		

1491/3/1503/5

Example of project with art. 1582 - SAP-T 100. Area 10x7 m; h=5m



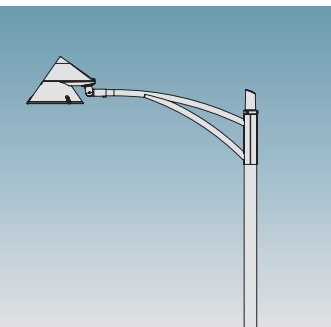
ES. ac5 - 1 Volo	
Components:	
1 Volo art. (choose one among art. 1580/81/82/72)	
1 pole to be chosen between acc. 1491/93/1503/1505*	
1 Sector acc. 211	426952/53
1 Sector arm acc. 210	426950/51
1 attachment acc. 213	426956/57
1 attachment acc. 455	991400/01
* pole height can be specified as desired	



ACC 407	ACC 450	ACC 455

1475/1476

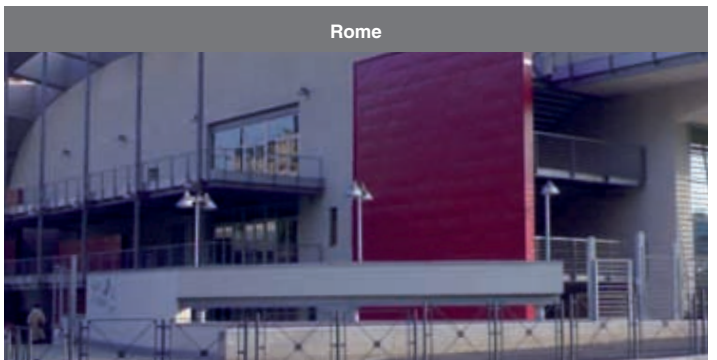
Example of project with art. 1581 - HCI-TT 150. Area 15x30 m; h=8m



ES. ac6 - 1 Volo	
Components:	
1 Volo art. (choose one among art. 1580)	
1 pole to be chosen between acc. 1475/1476*	
1 connect. acc. 455	991400/01
1 led acc. 450	991395
1 arm acc. 407	991389/90
* pole height can be specified as desired	



Milan



Rome