



Housing including frame: Die-cast aluminium with locking latches.

Diffuser: 5mm thick tempered glass, resistant to impact and thermal shock (UNI7142 tests, British standard 3193).

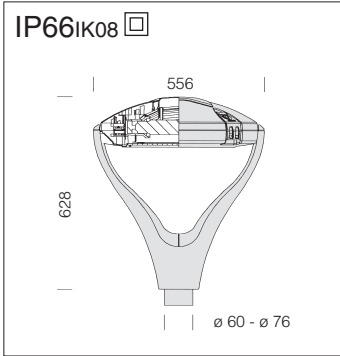
Coating: In several stages: epoxy cationic electrocoating; second coat of rough finish stage with frosted silver and grap. acrylic paint

Electric gear: 230V/50HzHz power supply with heat protection. Flexible wire terminated with admiralty brass clamps; silicone insulation; cross-section: 1 sqmm . 2P terminal block (maximum allowed lead cross-section: 2.5 sqmm).

Equipment: During maintenance the cover stays attached by means of a device that prevents accidental closing. Gasket made of environment-friendly material. Supplied with socket-plug connector. Cable gland with inlet cable sized: min. \varnothing 9 max \varnothing 12 mm, fitted with locking ring nut.


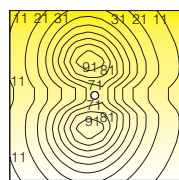
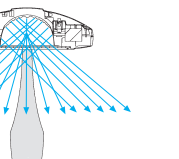
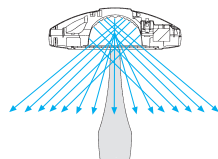
Thermi - Greece

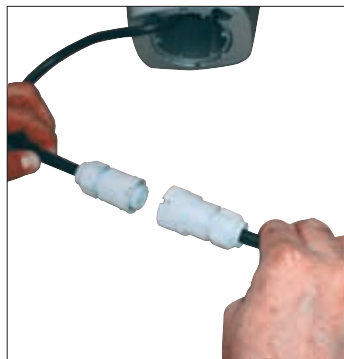




Optic unit: LIGHT POLLUTION PREVENTING OPTICAL SYSTEM. In pressed 99.85 aluminium, anodically oxidized, 3 µ thick, polished.

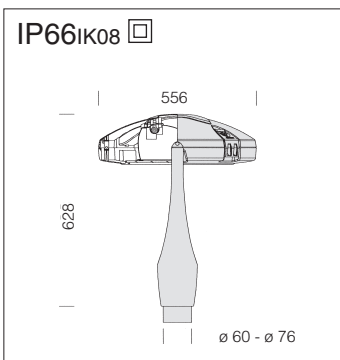


SAP-T E40		
CDO-TT E40		
1780 - SAP-T 150		
		
		




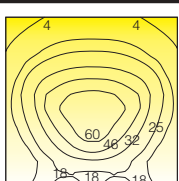
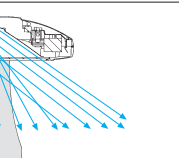
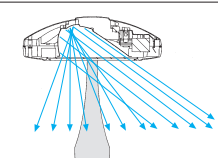
1780 Discovery - wide beam				
		CNRL-F		Lamps (Ta=25°C)
wattage	colour	weight	code	Kelvin - ølm - lm/W - Ra
SAP-T 150	sil. + grap.	13.50	423210-00	2000K - 15000lm - Ra 4
CDO-TT 150	sil. + grap.	13.50	423211-00	2800K - 13500lm - Ra 1b

Supplied with socket-plug connector.
Cable gland with inlet cable sized: min. ø 9 max ø12 mm, fitted with locking ring nut.



Optic unit: LIGHT POLLUTION PREVENTING OPTICAL SYSTEM. In pressed and hammered asymmetric 99.85 aluminium, anodically oxidized, 3 µ thick, polished.



JM-TS Rx7s		
SAP-TS Rx7s		
1781 - JM-TS 150		
		
		



1781 Discovery - asymmetric				
		CNRL-F		Lamps (Ta=25°C)
wattage	colour	weight	code	Kelvin - ølm - lm/W - Ra
JM-TS 150	sil. + grap.	13.50	423212-00	4200K - 12000lm - Ra 1b
SAP-TS 150	sil. + grap.	13.50	423213-00	2000K - 15000lm - Ra 4

Anney - France

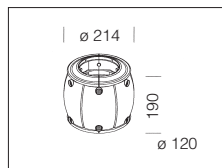


Anney - France



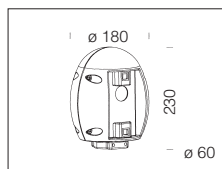
acc. 211 Sector connector

s. silver	426952
graphite	426953
In aluminium. To be used with acc. 210 for pole mounting \varnothing 120.	



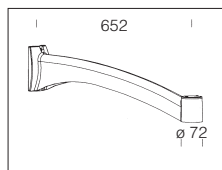
acc. 300 Oliva

s. silver	426970
graphite	426971
In aluminium. For pole mounting \varnothing 60 of arms acc. 301.	



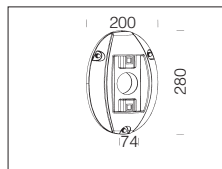
acc. 301 Oliva arm

s. silver	426972
graphite	426973
In aluminium. To be used with acc. 300 e 309 for pole or with acc.302/309 for wall mounting.	



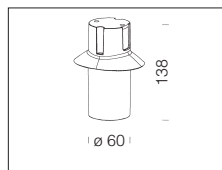
acc. 302 Wall mounting bracket

s. silver	426974
graphite	426975
In aluminium. For wall mounting of the arm acc. 301.	



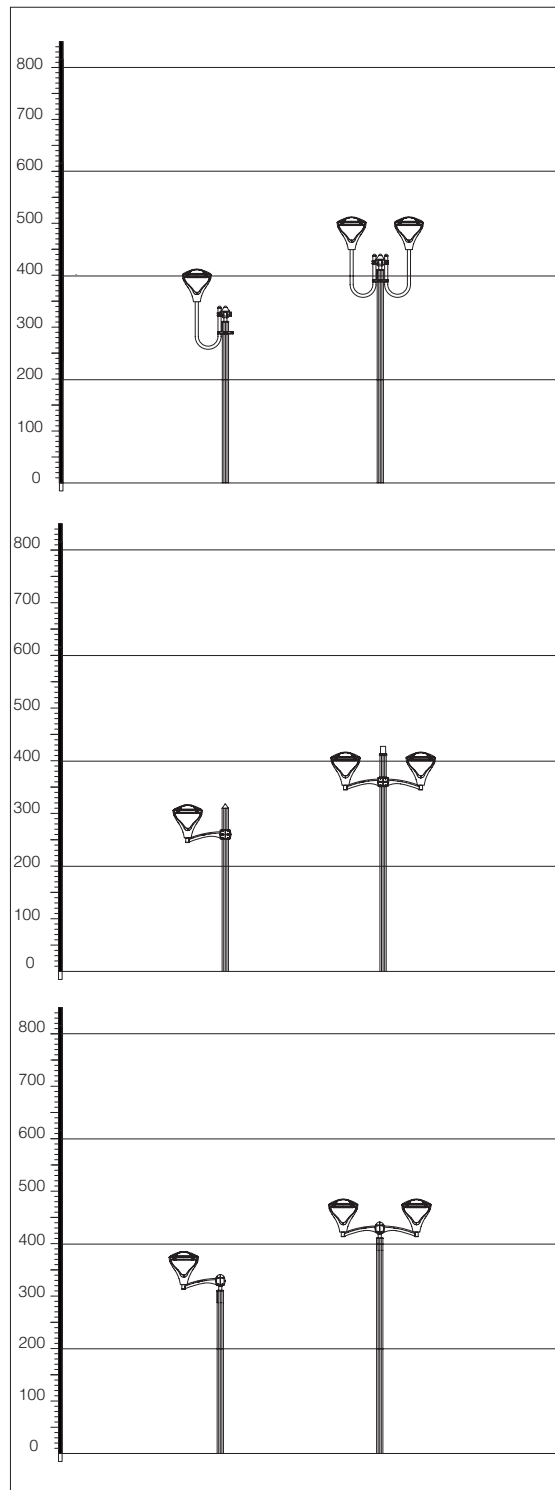
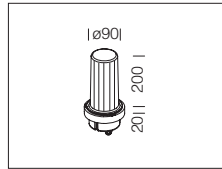
acc. 309 \varnothing 60 connection

s. silver	426993
In aluminium. To be always used with acc. 301 for Discovery mounting on the arm.	



acc. 450 LED head

LED white	991395
LED blue	991395-71
Die-cast aluminium connection. To be installed on pole to give an aesthetic finish \varnothing 120.	



Knife switch provided in standard supply to cut off the utility line in case of maintenance. Electric gear on a removable tray for easier maintenance.

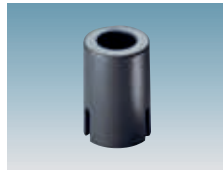
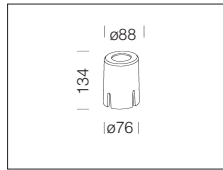
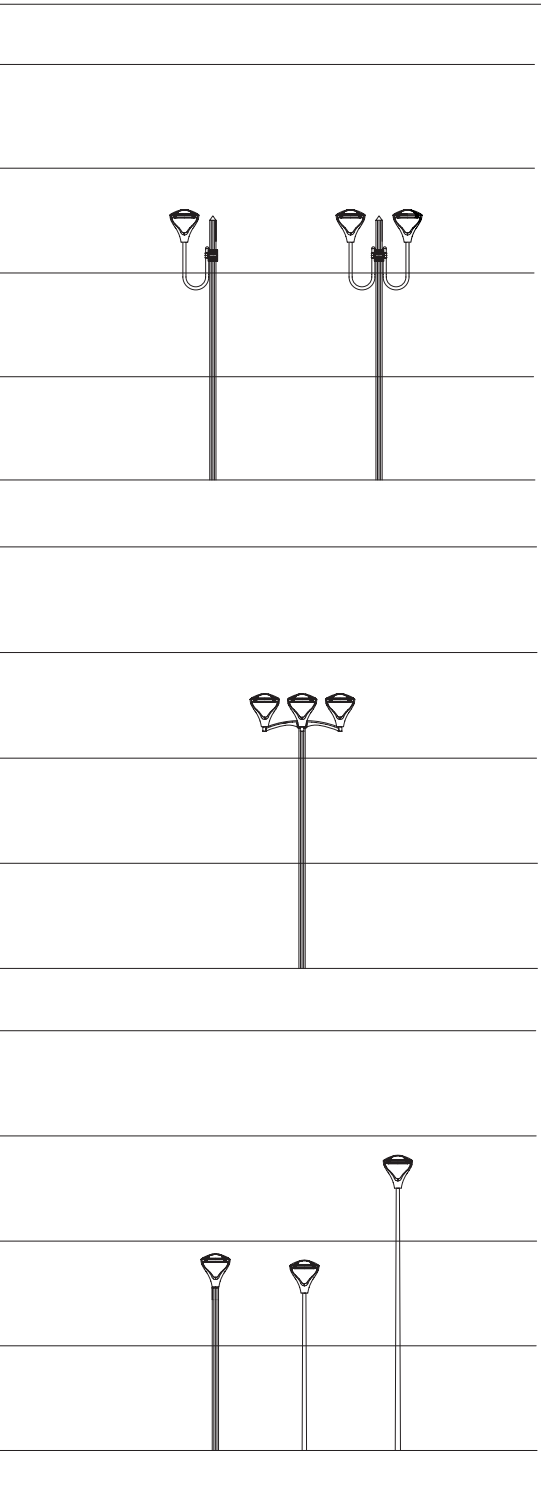
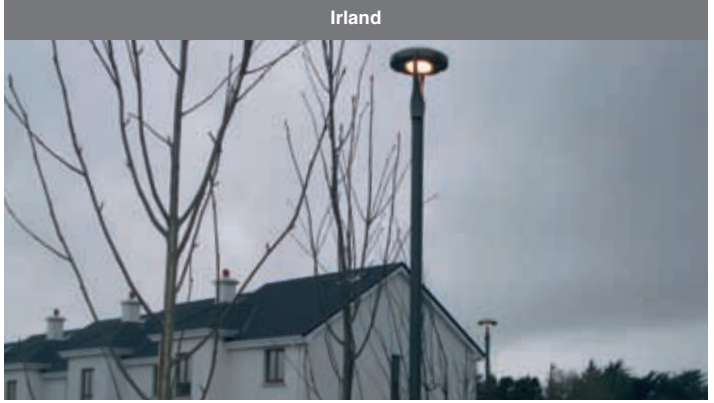
During maintenance the cover stays attached by means of a device that prevents accidental closing.



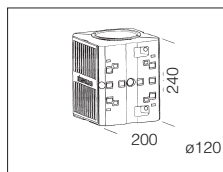
Anney - France



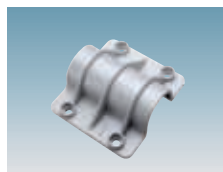
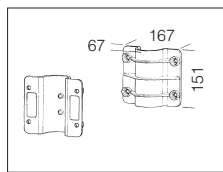
Ireland



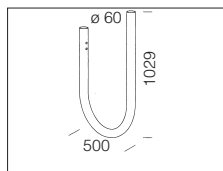
acc. 130 Ø76 pole adapter	
0,50	991230
Made of aluminium. To be used to apply the fixture on a Ø76 pole.	



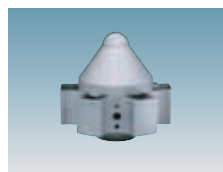
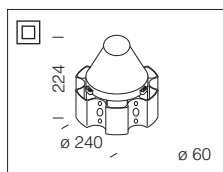
acc. 151 Lione cub	
black	991356
s. silver	991365
Made of die-cast aluminium. To be used when installing the products on poles Ø120.	



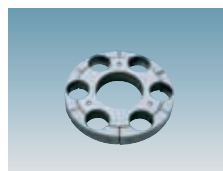
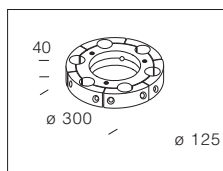
acc. 153 Arm connection	
black	991358
s. silver	991359
Made of die-cast aluminium. To be used with acc. 151 when installing curved arms on poles.	



acc. 129 bent arm	
black	991328
s. silver	991329
Tropicalised steel. Apply to accessories 1464/1465 and poles acc. 1508/1509.	



acc. 1464 Corona Ø120	
black	426984
s. silver	426990
In die-cast aluminium. Permits arm mounting acc. 129. Complete with terminal block.	

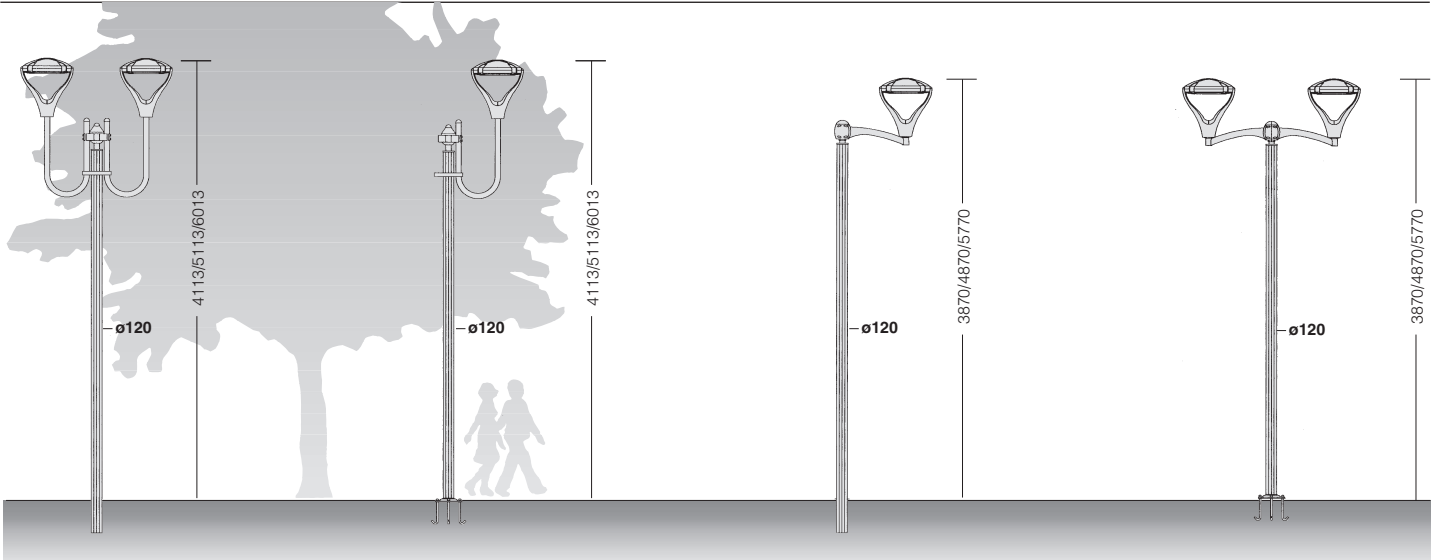


acc. 1465 Corona flange	
black	426985
s. silver	426991
In die-cast aluminium. 6 arm device to reinforce the composition.	

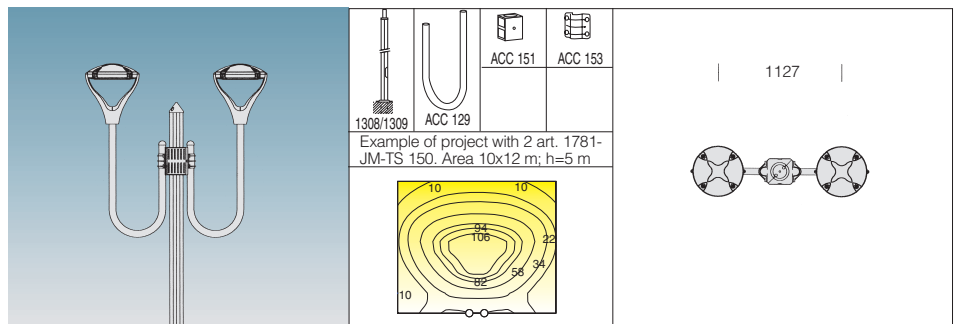


Anti-condensation system with relief valve to allow air circulation without changing the degree of protection ensuring a longer working life for the components.

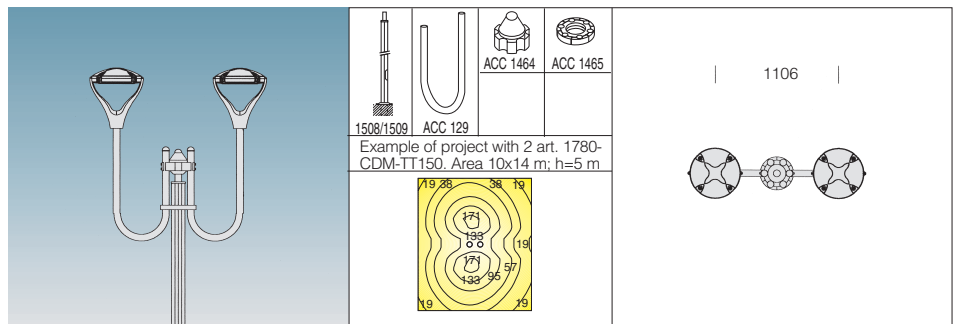
POST-TOP AMENITIES



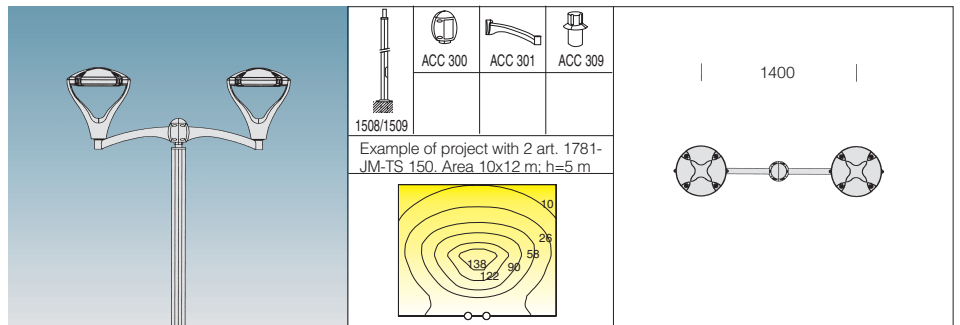
ES. ab81 - Discovery	
Components:	
2 Discovery	
1 pole to be selected between acc. 1308/9*	
1 Lione cub acc. 151	991356/65
2 arms acc. 129	991328/29
1 arm connection acc.153	991358/59
*Pole height can be specified as desired.	

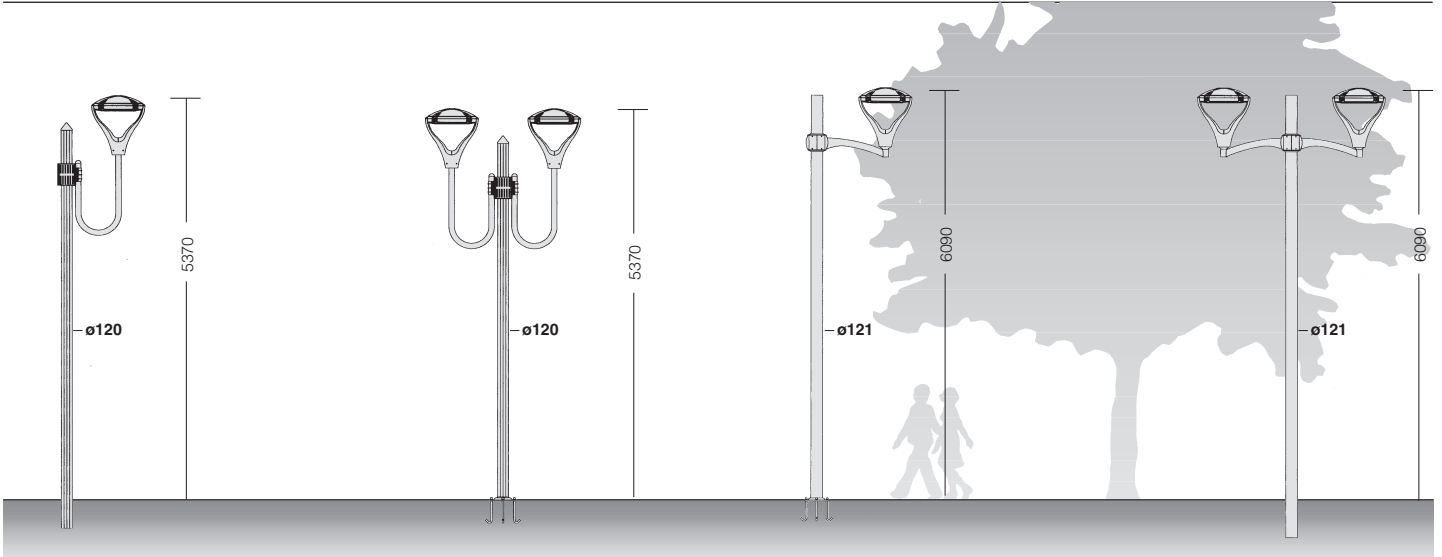


ES. b82 - Discovery	
Components:	
2 Discovery	
1 pole to be selected between acc. 1508/9*	
1 corona acc. 1464	426990/84
1 flange acc. 1465	426991/85
2 arms acc. 129	991328/29
*Pole height can be specified as desired.	



ES. b83 - Discovery	
Components:	
2 Discovery	
1 pole to be selected between acc. 1508/9*	
1 oliva acc. 300	426970/71
2 arms acc. 301	426972/73
2 connect. acc. 309	426993/94
*Pole height can be specified as desired.	





		ACC 211	ACC 301	ACC 309
		ACC 368		
Example of project with 3 art. 1780-CDM-TT150. Area 14x12 m; h=6 m				

ES. ac83 - Discovery	
Components:	
3 Discovery	
1 pole to be selected between acc. 1491/93/1503/05*	
1 connect. acc.368	426996
1 Sector connect. acc. 211	426952/53
3 arms acc. 301	426972/73
*Pole height can be specified as desired.	

		ACC 211	ACC 301	ACC 309
		ACC 368		
Example of project with 2 art. 1780-CDM-TT150. Area 14x12 m; h=6 m				

ES. ac80 - Discovery	
Components:	
2 Discovery	
1 pole to be selected between acc. 1491/93/1503/05*	
1 Sector connect. acc.211	426952/53
2 arms acc. 301	426972/73
2 connect. Ø 60 acc. 309	426993/94
*Pole height can be specified as desired.	

		ACC 301	ACC 302	ACC 303
		ACC 368		
Example of project with 2 art.. 1781 JM-TS150. Area 10x10 m; h=3 m				

ES. c 13 - 1 Discovery	
Components:	
1 Discovery	
1 wall mounting bracket acc. 302	426974/75
1 Oliva arm acc. 301	426972/73
1 connect. Ø60 acc. 303	426976