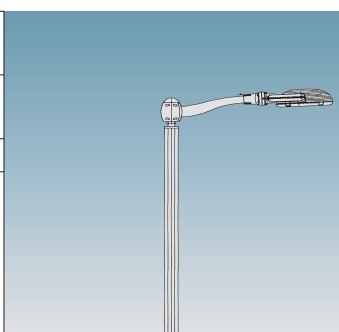
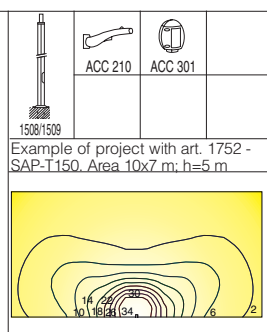
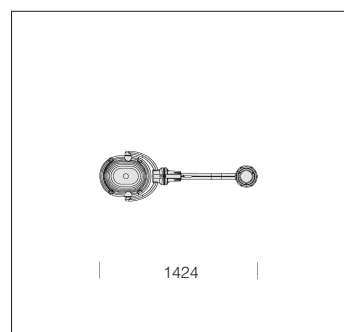
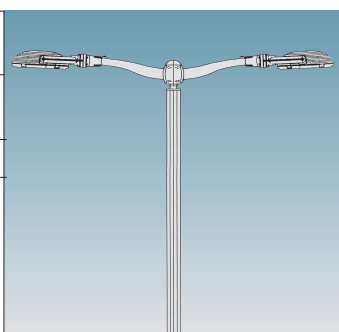
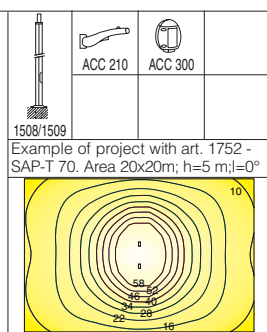
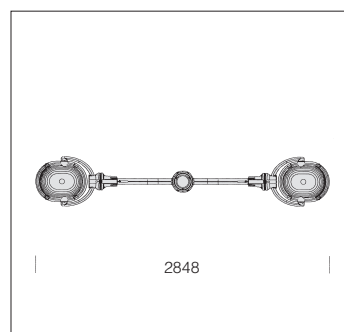


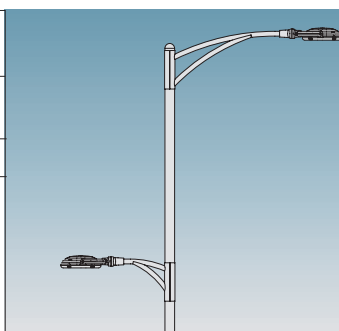
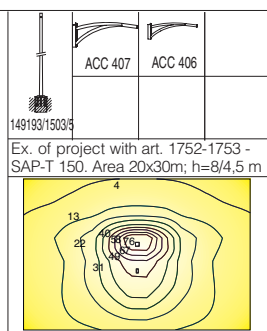
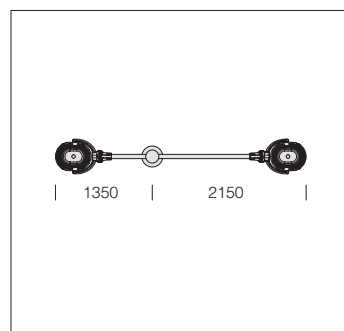
ES. b 33 - 2 Metropolis	
Components:	
2 Metropolis	
1 pole to be selected between acc. 1308/1309*	
2 arms acc. 327	426942/43
1 Sector connector acc.211	426952/53
Column height can be specified as desired	



ES. b 32 - 1 Metropolis	
Components:	
1 Metropolis	
1 pole to be selected between acc. 1508/1509*	
1 Oliva acc. 300	426970/71
1 Sector arm acc.210	426950/51
Column height can be specified as desired	



ES. b 30 - 2 Metropolis	
Components:	
2 Metropolis	
1 pole to be selected between acc. 1508/1509	
1 Oliva acc. 300	426970/71
2 Sector arms acc. 210	426950/51
Column height can be specified as desired	



ES. ac 76 - 2 Metropolis	
Components:	
2 Metropolis	
1 pole to be selected between acc. 1475/76*	
1 arm acc. 406	991387/88
1 arm acc. 407	991389/90
Column height can be specified as desired	

POST-TOP AMENITIES