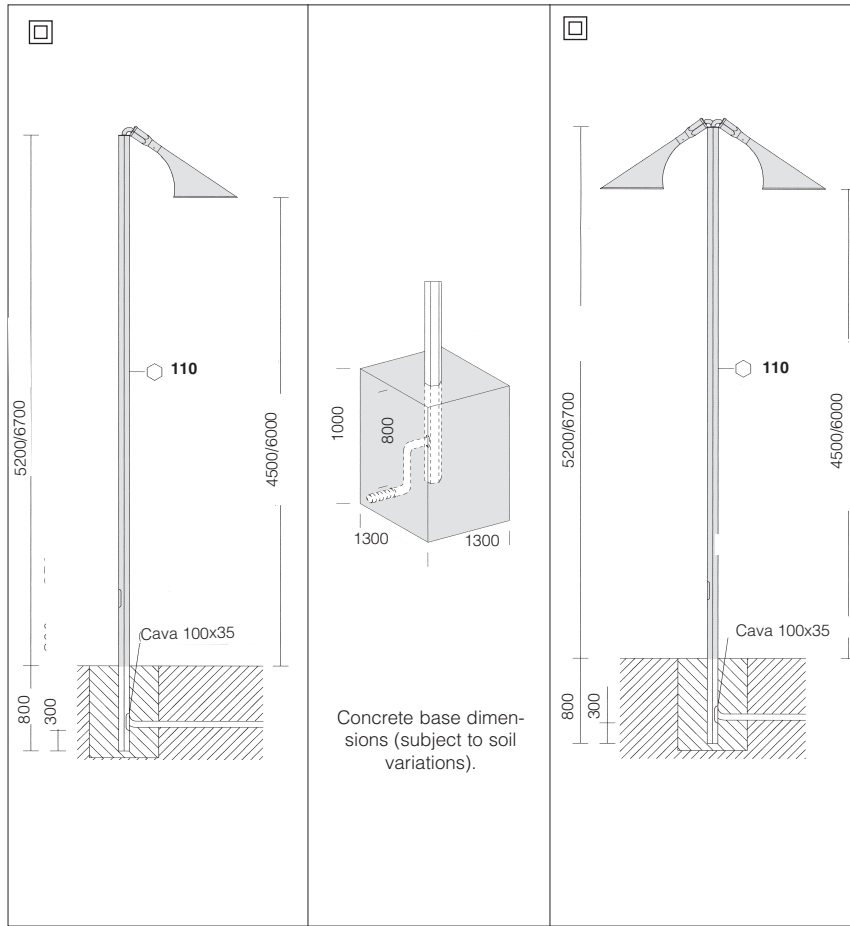
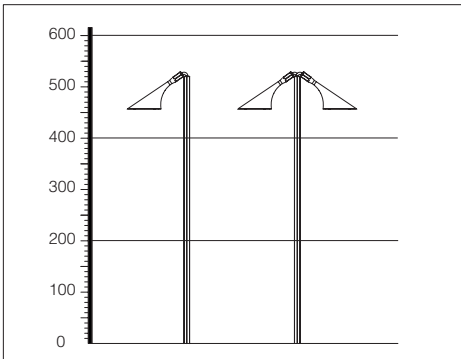


acc. 1451 1-lamp pole to be buried in the ground

h f.t. 5200	h i. 800	green+silver	426105
h f.t. 6700	h i. 800	green+silver	426107

acc. 1453 2-lamp pole to be buried in the ground

h f.t. 5200	h i. 800	green+silver	426125
h f.t. 6700	h i. 800	green+silver	426127



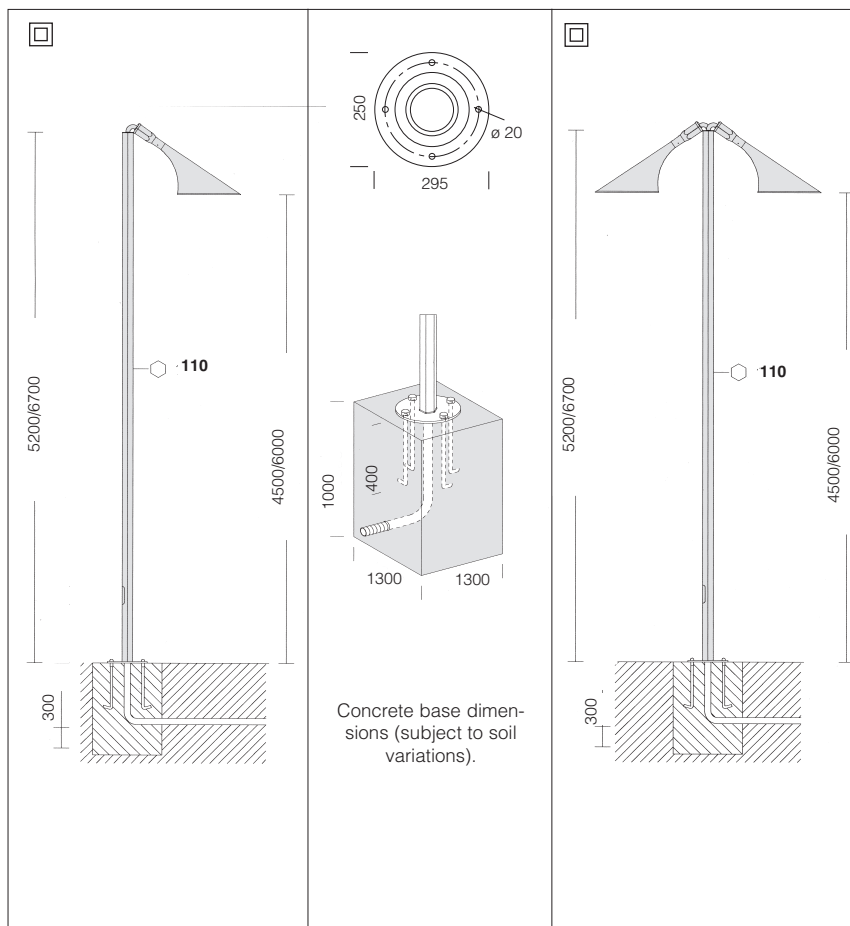
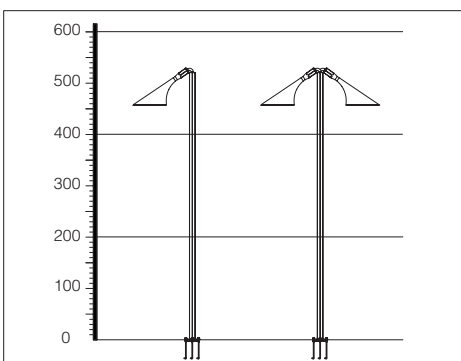
POST-TOP AMENITIES

acc. 1452 1-lamp pole with base

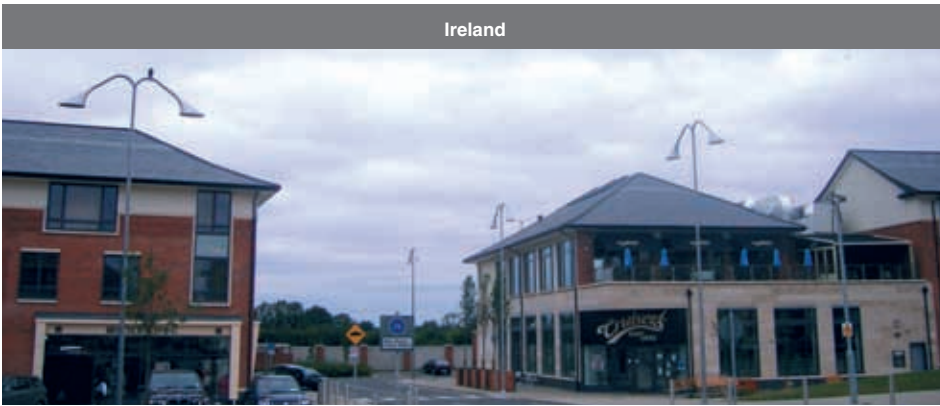
h f.t. 5200	green+silver	426115
h f.t. 6700	green+silver	426117

acc. 1454 2-lamp pole with base

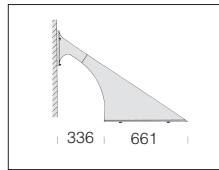
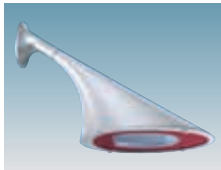
h f.t. 5200	green+silver	426135
h f.t. 6700	green+silver	426137



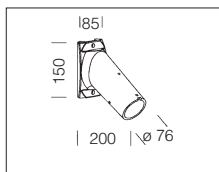
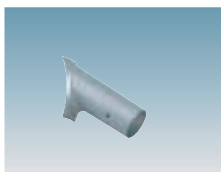
Ireland



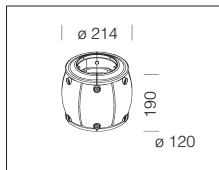
acc. 199 wall mounting	
s. silver	995762
In aluminium. In order to install Iris to wall.	



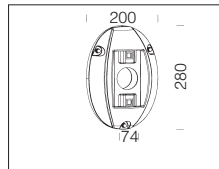
acc. 337 tube connector	
s. silver	995769
In aluminium. In order to install Iris to pole with acc. 211 or acc. 300. Use with acc.302 for wall installation.	



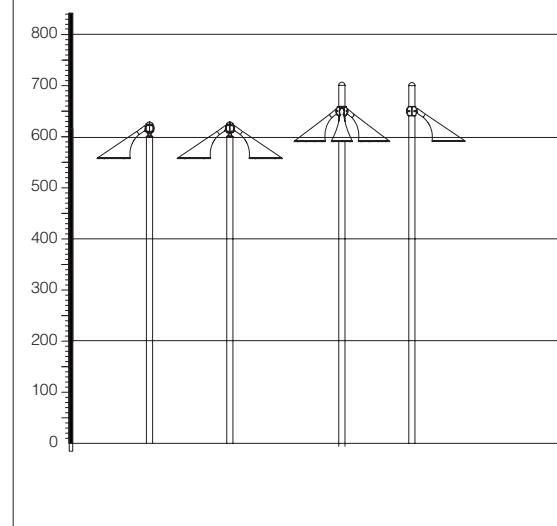
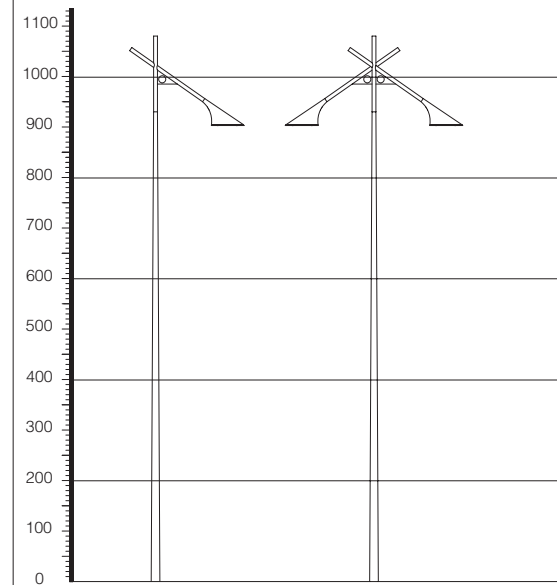
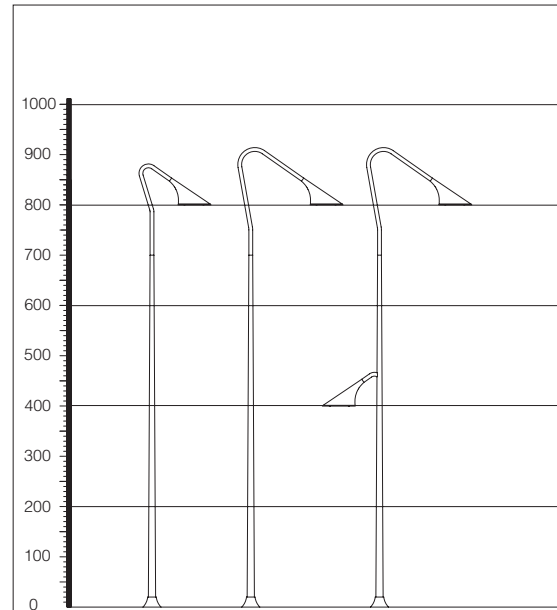
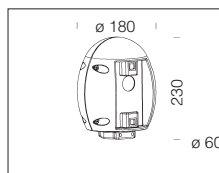
acc. 211 Sector connector	
s. silver	426952
graphite	426953
Made of aluminium. To be used with acc. 337 for pole mounting 120 Ø.	

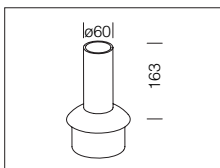
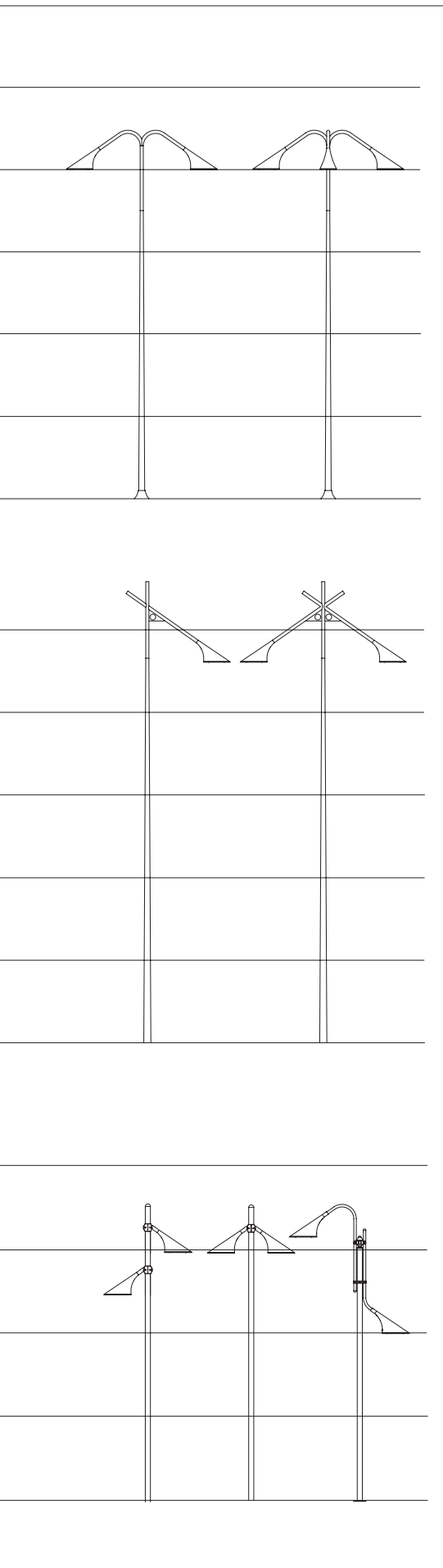


acc. 302 wall mounting	
s. silver	426974
graphite	426975
Made in alum. To be installed with acc. 337 on wall.	

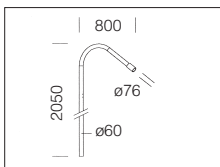


acc. 300 Oliva	
s. silver	426970
graphite	426971
Made in alum. To be installed with acc.337 on Ø60 pole.	

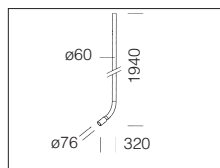




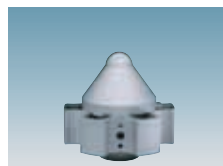
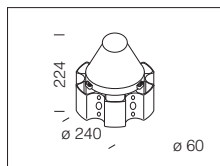
368 mast-arm for pole	
galvanised	426996
In galvan. steel. To be used as a connector for mast-top poles acc.1491/1493/1505/1503.	



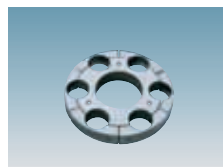
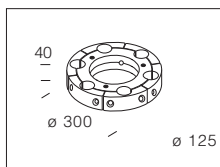
acc. 220 arm for Corona	
s. silver	995763
To be mounted on Corona series ø120 accessories.	



acc. 221 arm for Corona	
s. silver	995764
Made of steel. To be mounted on Corona series ø120 accessories. To install art. 1659 at a height of 5m.	

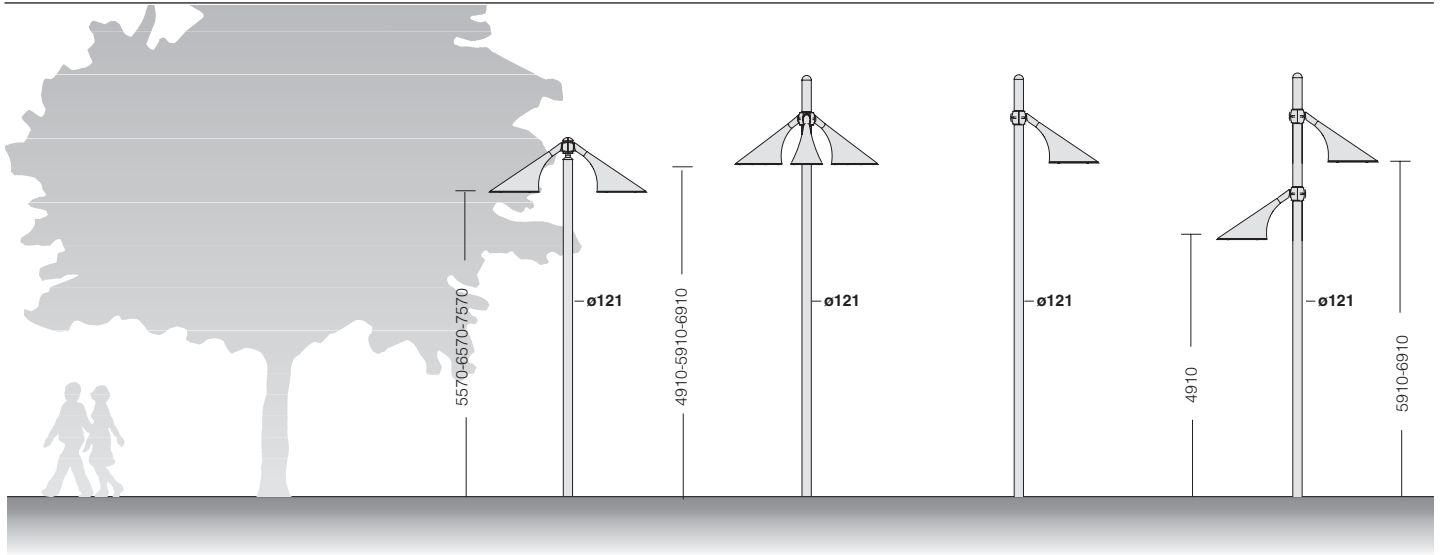


acc. 1464 Corona	
s. silver	426990
black	426984
In die-cast aluminium. For max 6 arms acc 220/221. Complete with terminal block ø60.	

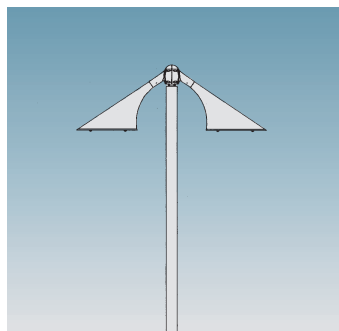


acc. 1465 Corona flange	
s. silver	426991
black	426985
Made of die-cast aluminium. With 6 arm devices; designed to reinforce the assembly.	

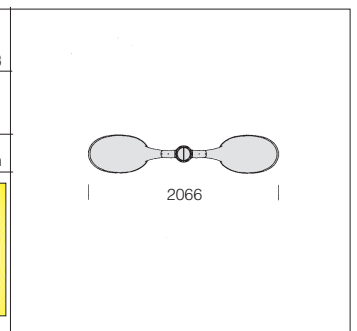




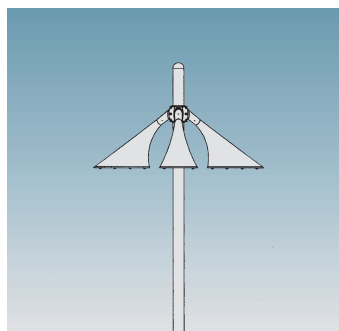
ES. ac 32 - Iris	
Components:	
2 Iris art. 1657	
1 pole to be selected between acc. 1491/93/1503/1505*	
1 connector acc.368	426996
1 Oliva connector acc. 300	426970/71
2 tube connector acc. 337	995769
*Pole height can be specified as desired	



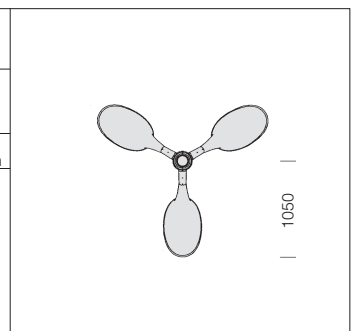
ACC 300	ACC 211	ACC 368
1491/3/1503/5		
Example of project with art.1657 SAP-T100. Area 50x30m; h=8000mm		



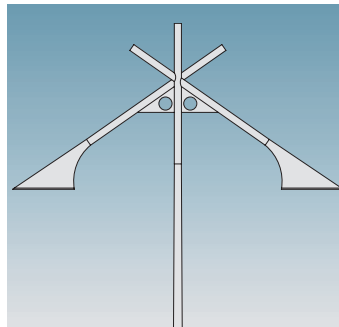
ES. ac 33 - Iris	
Components:	
3 Iris art. 1657	
1 to be selected between acc. 1491/93/1503/1505*	
1 Sector connector acc.211	426952/53
3 tube connector acc. 337	995769
*Pole height can be specified as desired	



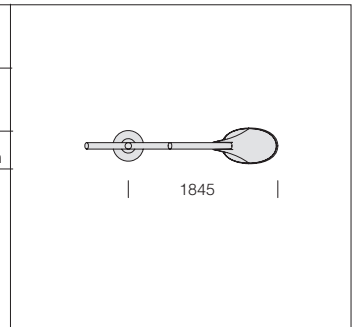
ACC 211	ACC 337
1491/3/1503/5	
Example of project with art.1657 SAP-T150. Area 40x30m; h=8000mm	

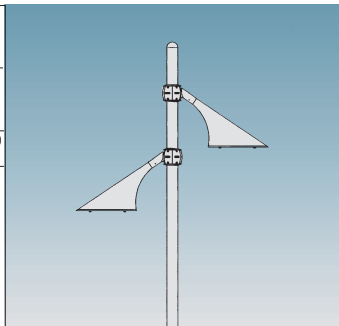
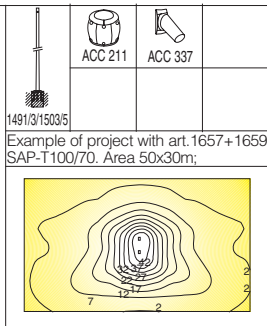
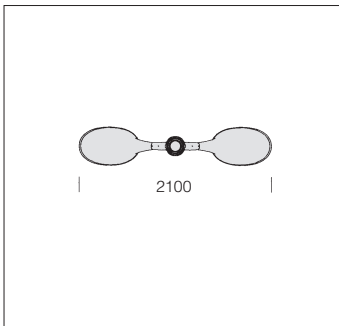
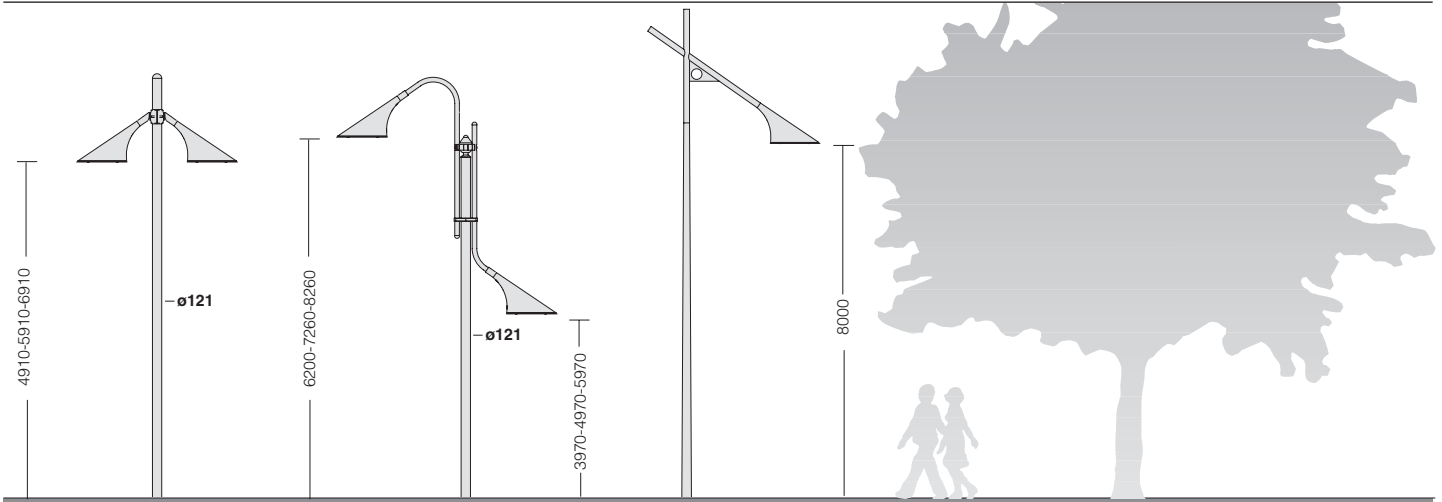


ES. ac 36 - Iris	
Components:	
2 Iris art. 1657	
1 pole to be selected between acc. 1447/1449	

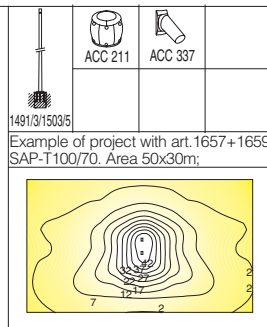
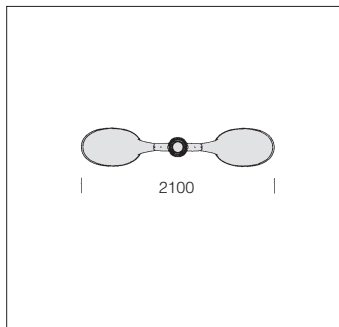


1447/1449
Example of project with art.1657 SAP-T150. Area 20x20m; h=9000mm

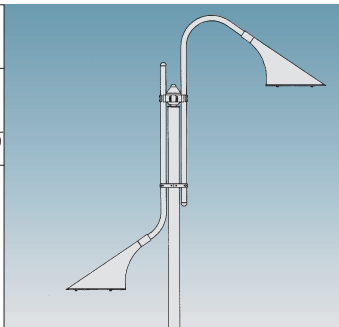
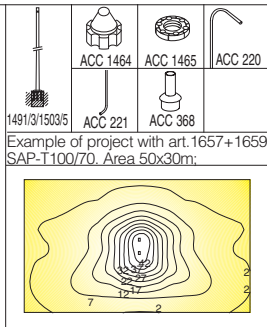
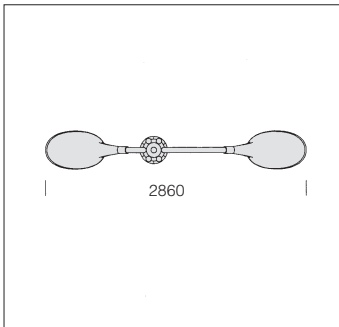




ES. ac 34 - Iris	
Components:	
1 1657 Iris	
1 1659 Iris	
1 pole to be selected between acc. 1491/93/1503/1505*	
2 Sector connectors acc. 211	426952/53
2 tube connect. acc. 337	995769
*Pole height can be specified as desired	



ES. ac 37 - Iris	
Components:	
2 Iris art. 1657	
1 pole to be selected between acc. 1491/93/1503/1505*	
1 Sector connector acc.211	426952/53
2 tube connectors acc. 337	995769
*Pole height can be specified as desired	



ES. ac 35 - Iris	
Components:	
1 1657 Iris	
1 1659 Iris	
1 pole to be selected between acc. 1491/93/1503/1505*	
1 connector acc.368	426996
1 Corona acc.1464	426990/84
1 flange Corona acc.1465	426991/85
1 arm acc. 220	995763
1 arm acc. 221	995764
*Pole height can be specified as desired	