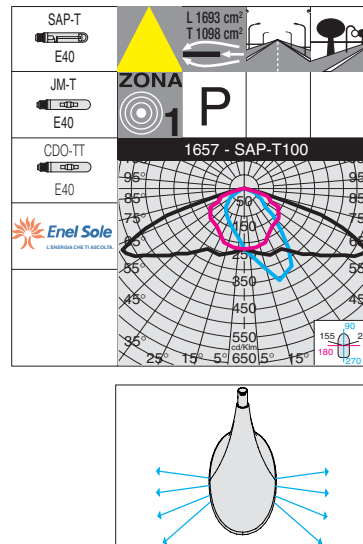
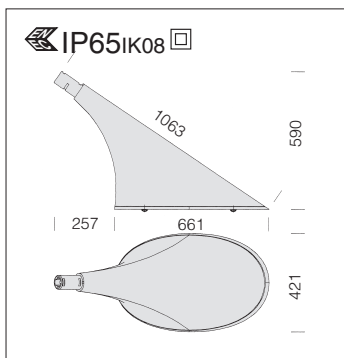


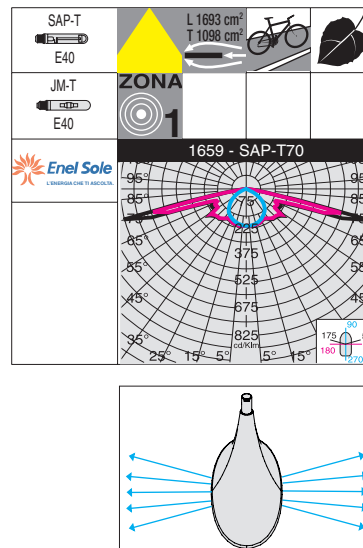
Optics: LIGHT POLLUTION PREVENTING OPTICAL SYSTEM In pressed aluminium 99.85, anodised 3 μ thick and polished with flux recovery device.



1657 Iris				
		CNRL		Lamps (Ta=25°C)
wattage	colour	weight	code	Kelvin - ølm - lm/W
SAP-T 100	s. silver	11.80	314220-00	2000K - 9000lm - Ra 4
SAP-T 150	s. silver	11.80	314221-00	2000K - 15000lm - Ra 4
JM-T 150	s. silver	11.80	314222-00	4000K - 14000lm - Ra 1b
CDO-TT 150	s. silver	11.80	314223-00	2800K - 13500lm - Ra 1b



Optics: In polished aluminium 99.85 pressed, anodised 3 μ thick and polished with flux recovery device.



1659 Iris - bicycle pathways				
		CNRL		Lamps (Ta=25°C)
wattage	colour	weight	code	Kelvin - ølm - lm/W
SAP-T 70	s. silver	11.80	314230-00	2000K - 6000lm - Ra 4

On request: coloured glass or coloured housing versions.

