

**Housing / Frame:** in die-cast aluminium with latch.

**Reflector:** LIGHT POLLUTION-CONTROL REFLECTOR. In anodised, polished, pressed 99.85 aluminium.

**Diffuser:** in pressed, prismatic glass, 5 mm thick thermal shocks and impact resistant (UNI EN 12150-1/2001 tests).

**Coating:** grey epoxy cationic electrocoating, resistant to corrosive and saline environments. Second coating using sandblasted silver colour green acrylic resin, UV-stabilized.

**Electric gear:** 230V/50 Hz (CNR) power supply and heat protection. Flexible cable, terminated with quick connector tin-plated brass tips.

**Equipment:** during maintenance the housing and diffuser remain attached for easy maintenance. Electric gear on removable tray and quick connectors for connection to the power supply and the lamp holder.

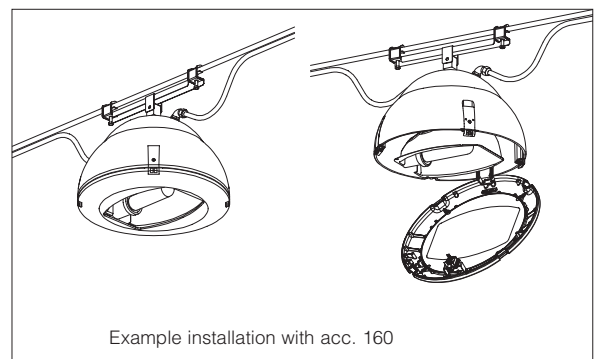
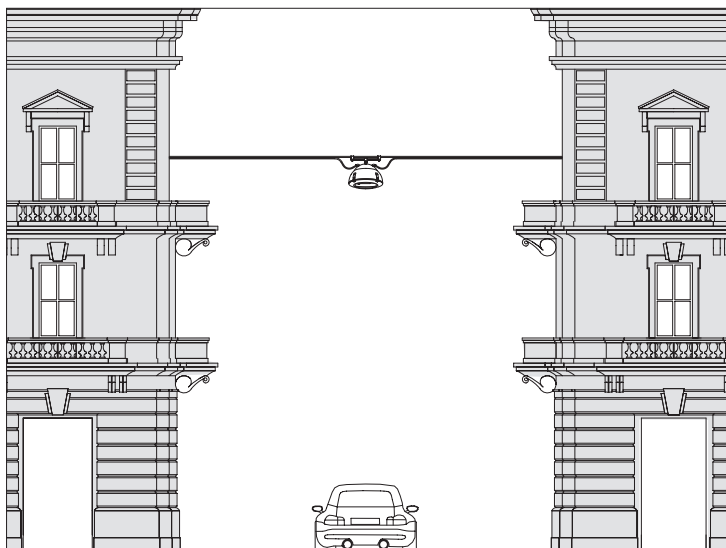
**Standard supply:** safety knife switch. Power supply can be cut off in case of maintenance. Electric gear on removable tray and quick connectors for connection to the power supply and the lamp holder.

3170 Montecarlo - street optical				
		CNRL		Lamps (Ta=25°C)
wattage	colour	weight	code	Kelvin - ølm - Ra
SAP-T 150	silv. + grap.	9.00	326610-00	2000K - 15000lm - Ra 4
SAP-T 250	silv. + grap.	10.20	326611-00	2000K - 28000lm - Ra 4
CDO-TT 150	silv. + grap.	9.00	326612-00	2800K - 13500lm - Ra 1b
JM-T 150	silv. + grap.	9.00	326613-00	4000K - 14000lm

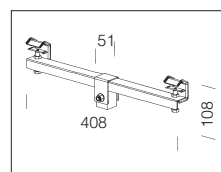


Safety knife switch. Power supply can be cut off in case of maintenance

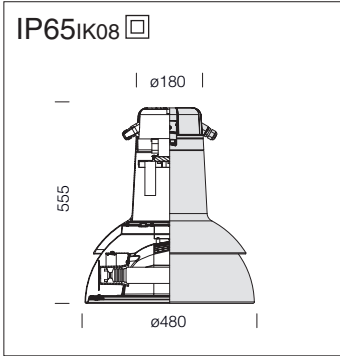
On request: coloured versions



Example installation with acc. 160



acc. 160 suspension connection	
0.90	998090
In stainless steel AISI 304. To apply Montecarlo on ropes or steel cables.	



**Housing:** in die-cast aluminium; outside reflector in turned aluminium

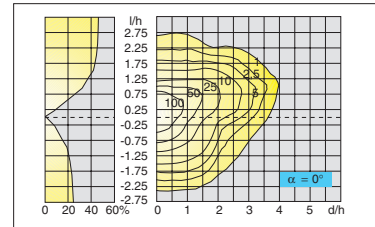
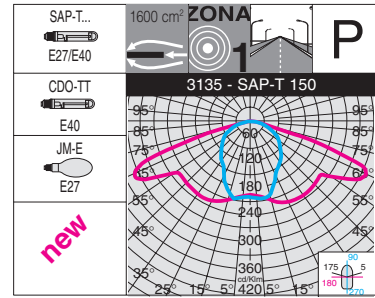
**Reflector:** LIGHT POLLUTION-CONTROL REFLECTOR. In anodised, polished, pressed 99.85 aluminium.

**Diffuser:** in pressed, prismatic glass, 4 mm thick thermal shocks and impact resistant (UNI EN 12150-1/2001 tests).

**Coating:** multi-stage process. Stage 1: grey epoxy cationic electrocoating, resistant to corrosion and saline environments. Stage 2: UV-stabilising priming. Stage 3: sandblasted silver acrylic finishing. White ceramic reflector

**Electric gear:** 230V/50 Hz (CNR) power supply. Flexible silicone wire, double insulation, terminated with quick connector tin-plated brass tips.

**Standard supply:** safety knife switch. Power supply can be cut off in case of maintenance. Electric gear on removable tray and quick connectors for connection to the power supply and the lamp holder.



**3135 Campana - street optical**

		CNRL		Lamps (Ta=25°C)	
wattage	colour	weight	code	Kelvin - ølm - Ra	
SAP-T 150	grap.+white	9.30	326710-00	2000K - 15000lm - Ra 4	
SAP-T 250	grap.+white	9.30	326711-00	2000K - 28000lm - Ra 4	
JM-E 150	grap.+white	9.30	326712-00	4000K - 14000lm - Ra 1b	
CDO-TT 150	grap.+white	8.80	326713-00	2800K - 13200lm - Ra 1b	

Adjustable focus lamp.

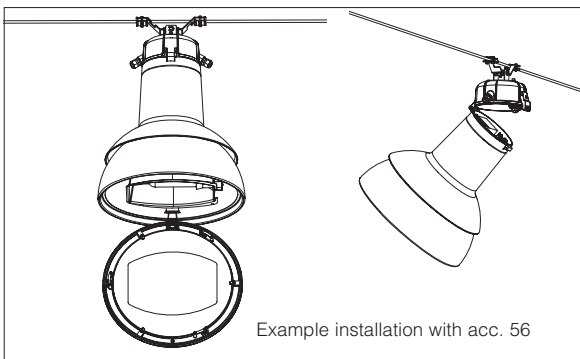


**On request:**  
coloured versions

Safety knife switch. Power supply can be cut off in case of maintenance. Removable electric gear for easy maintenance.



Die-cast aluminium hooks.



Example installation with acc. 56

acc. 56 suspension connection	
0.70	995727
Made of stainless steel AISI 304. For installation on rope and steel cables of Campana.	

