



Simulation

Housing: die cast aluminium.

Diffuser: 5 mm. thick, toughened glass, withstands thermal shocks and impacts (tested according to UNI EN 12150-1: 2001).

Painting: in three phases. Immersion by epoxy cataphoresis, grey, resistant to corrosion and salt mists. The second phase applies an undercoat to stabilise against U.V. rays, and the final finishing coat with acrylic paint.

Electric gear: 230V/50Hz power supply. Flexible cable, terminated with quick connector tin-plated brass tips, with double silicon insulation, 1.0 mm² cross-section. 2P terminal strip with maximum permitted cross-section of conductors: 2.5 mm².

Complete with: wiring on removable plate with quick connectors to connect to the line and the lampholder. With anti-condensation filter.

Equipment: the cover remains attached during maintenance operations by means of a side spring. Gasket made from ecological material. Rotating connection with goniometric scale to adjust the housing and with isolating switch supplied as a standard feature.

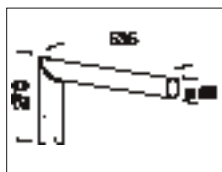
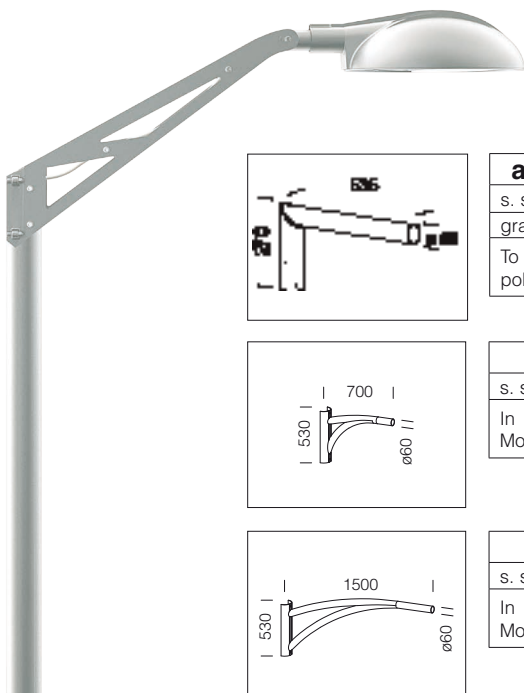
Lighting results: Monza												
Source	Position	Flux	Disp.	S	H	L	D	I	Lm	Uo	UI	T1%
HCI-T70	P=1 Y=0	6700	Uni.	0,5	6	6	21	0°	1,06	0,42	0,5	2,78

Lm = medium Luminance
 Uo = general Uniformity
 UI = Longitudinal Uniformity
 T1% = debilitating glare

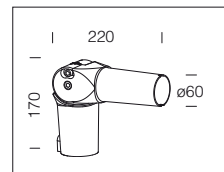
LIGHT-POLLUTION PREVENTING OPTIC:
 Ideal for installation in **Zone 1** (UNI10619) with the appropriate angle.
SAP the yellow light ensures high luminous

efficiency. Perfect for installation near crossroads.

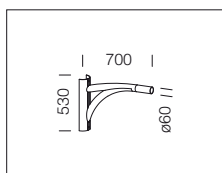
Equipped with base for lampholder with bayonet coupling and anti-condensation filter.



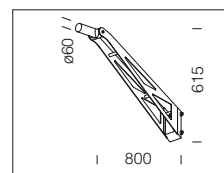
acc. 205 mast-top attachment
 s. silver 426948
 graphite 426949
 To be used when installing Monza on pole Ø60. 90° fixed.



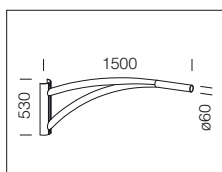
acc. 405 adjust. mount. unit
 m. silver 991385
 To be used when installing Monza on pole Ø60 with acc.130. Adjustable mounting unit.



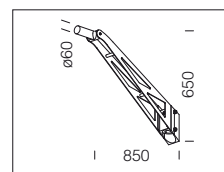
406 Aliante arm
 s. silver 991387
 In steel. To be used when installing Monza on pole.



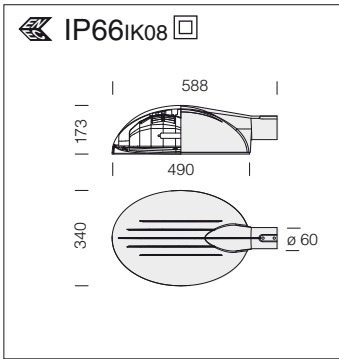
acc. 466 arm
 s. silver 991412
 To be used when installing Monza on walls.



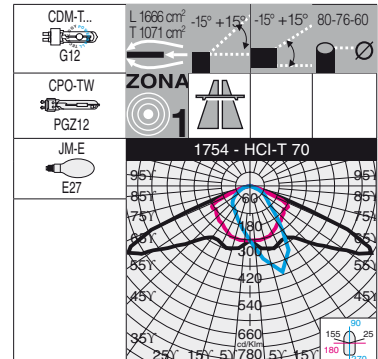
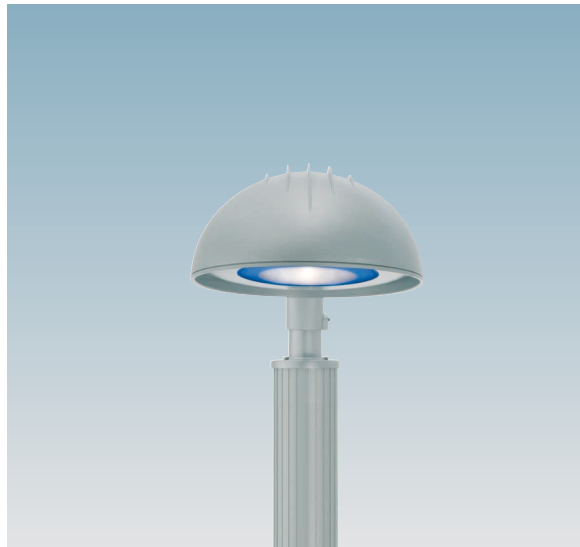
407 Aliante arm
 s. silver 991389
 In steel. To be used when installing Monza on pole.



acc. 467 arm
 s. silver 991413
 To be used when installing Monza on pole art. 1492/1494.



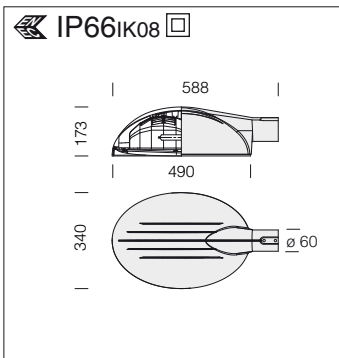
Reflector: LIGHT POLLUTION-CONTROL LOUVRE.
In anodised, polished, pressed 99.85 aluminium, with flux recovery.



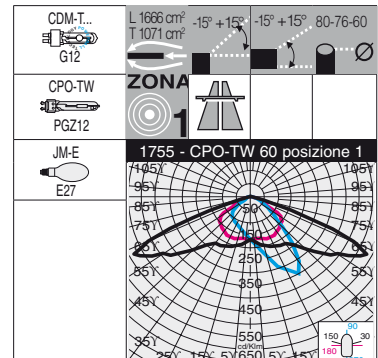
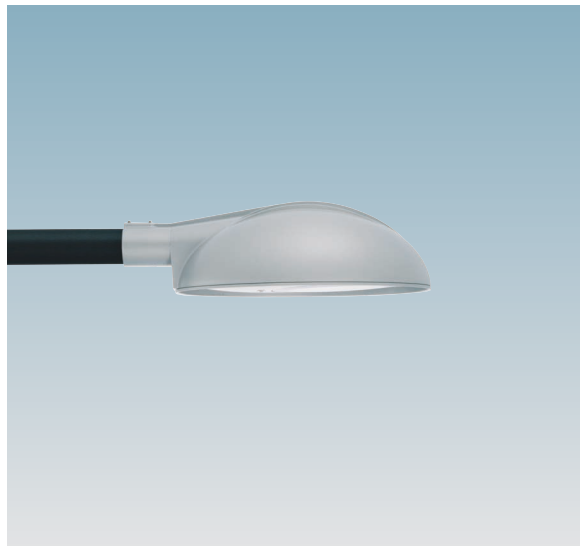
1754 Monza 1 - with blue printed glass				
		CELL		Lamps (Ta=25°C)
wattage	colour	weight	code	Kelvin - ølm - Ra
CDM-T 70	s. silver	6.00	423041-00	4200K - 6600lm - Ra 1b
CDM-T 150	s. silver	6.00	423046-00	4200K - 12700lm - Ra 1b
CPO-TW 60	s. silver	6.00	423042-00	2800K - 6850lm - Ra 2a
CPO-TW 90	s. silver	6.00	423044-00	2800K - 10450lm - Ra 2a
JM-E 100	s. silver	6.00	423045-00	3200K - 9000lm - Ra 2a

Over-price on request:

- 1) bicycle pathways versions
- 2) coloured versions
- 3) versions with red or green coloured optics, which characterize different lit areas and also create light effects.



Reflector: LIGHT POLLUTION-CONTROL LOUVRE.
In anodised, polished, pressed 99.85 aluminium, with flux recovery.



1755 Monza 2 - with glass				
		CELL		Lamps (Ta=25°C)
wattage	colour	weight	code	Kelvin - ølm - Ra
CDM-T 70	s. silver	6.00	423051-00	4200K - 6600lm - Ra 1b
CDM-T 150	s. silver	6.00	423056-00	4200K - 12700lm - Ra 1b
CPO-TW 60	s. silver	6.00	423052-00	2800K - 6850lm - Ra 2a
CPO-TW 90	s. silver	6.00	423054-00	2800K - 10450lm - Ra 2a
JM-E 100	s. silver	6.00	423055-00	3200K - 9000lm - Ra 2a

