

La Valletta Airpot - Malta



Housing: In die-cast aluminium.

Cover: Hinge opening in aluminium, die-cast in a single piece. With stainless steel latches and safety device against accidental opening.

Diffuser: Tempered glass, 5 mm thick, thermal shock and impact resistant (UNI12150-1: 2001 tests: 2001).

Coating: Graphite grey polyester housing; grey cover (resistant to corrosive and saline environments).

Electric gear: 230V/50Hz power supply. Silicone wired terminated with quick connect clamps in admiralty brass, fibreglass braid, 1.0 sqmm cross-section. 2P terminal block with maximum allowed lead cross section of 2.5 sqmm.

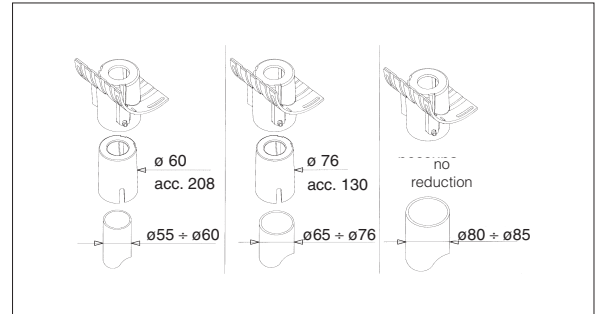
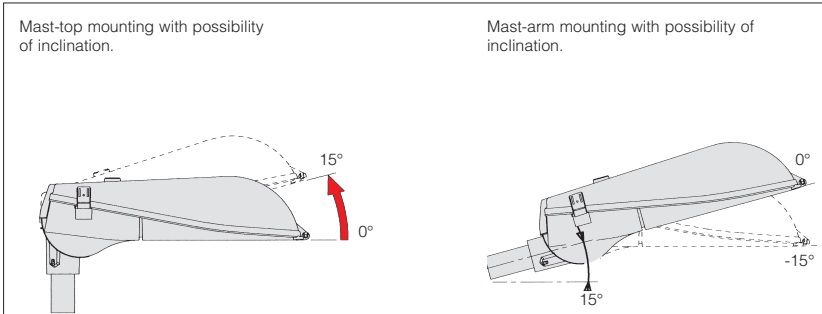
Standard supply: Electric gear on a removable tray with quick connectors for line and lampholder connection. Equipped with anti-condensation filter. Option to install a photocell. Standard with pole unit adapter Ø 60.

Equipment: During maintenance the cover stays attached by means of a device that prevents accidental closing. Environment-friendly gasket. Rotating attachment with protractor scale to adjust the housing. Standard-supply knife switch.

On request: fixtures can be provided with the remote-control and remote management system, also with power reduction.

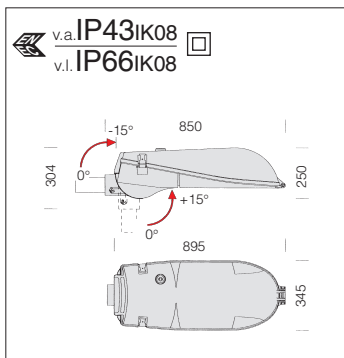
Lighting results: Tonale 1												
Source	Position	Flux	Disp.	S	H	L	D	I	Lm	Uo	UI	TI%
SAP-T150	X=4 Y=1	17200	Uni.	0	8	8	30	0°	1,34	0,43	0,66	8,8
SAP-T150	X=4 Y=1	17200	Uni.	0	8	8	26	0°	1,53	0,42	0,76	8
SAP-T250	X=2 Y=1	33000	Uni.	0	10	10	38	0°	1,59	0,42	0,71	9,8
SAP-T400	X=1 Y=1	55500	Opp.	0	12	12	44,5	0°	2,06	0,44	0,70	9,2

LIGHT-POLLUTION PREVENTING OPTIC:
Ideal for installation in **Zone 1** (UNI10619) with the appropriate angle.
Lm = medium Luminance
Uo = general Uniformity
UI = Longitudinal Uniformity
TI% = debilitating glare

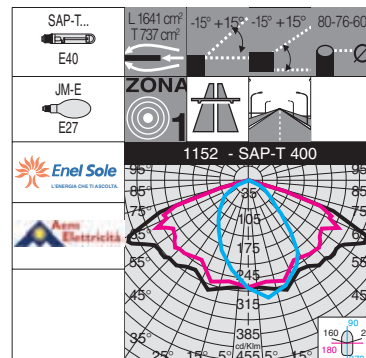


Protractor scale for aiming adjustment. Enables mast top or mast arm mounting. Option to install a photocell. Stainless steel locks with safety device to prevent any accidental opening.
Standard-supply knife switch to cut off the power supply automatically during maintenance. Class II insulation.





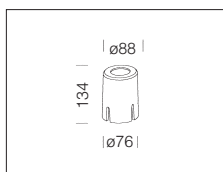
Reflector: LIGHT POLLUTION-CONTROL LOUVRE.
In anodised, polished, pressed 99.85 aluminium.



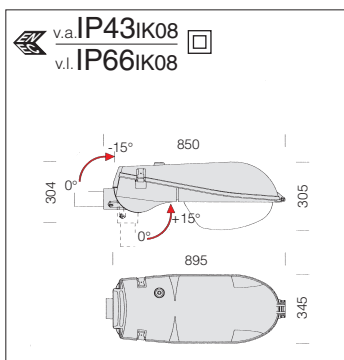
1152 Tonale

		CNR		CNRL		CNR - bipower version		Lamps (Ta=25°C)
wattage	colour	weight	code	weight	code	weight	code	Kelvin - olm - Ra
SAP-T 150	sil.+grap.	12.70	313663-00			12.70	313663-30	
SAP-T 250	sil.+grap.	13.50	313664-00			13.50	313664-30	
SAP-T 400	sil.+grap.	15.00	313665-00			15.00	313665-30	
JM-E 100	sil.+grap.			12.70	313666-00			4000K - 9000lm
JM-E 150	sil.+grap.			12.70	313667-00			4000K - 14000lm

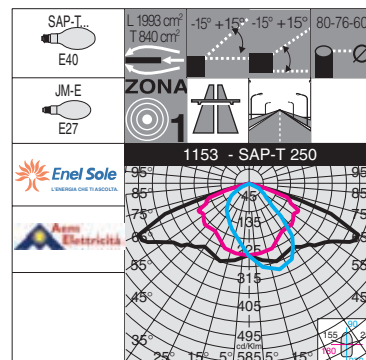
Standard supply includes pole adapter Ø 60 mm.



acc. 130 Ø76 pole adapter
0,50 | 991230
In aluminium. To be used to apply the fixture on a Ø 76 pole.



Diffuser: Tempered glass, thermal shock and impact resistant, anti-glare, V2 self-extinguishing, UV-stabilised clear polycarbonate diffuser.



1153 Tonale - polycarbonate diffuser

		CNR		CNRL		CNR - bipower version		Lamps (Ta=25°C)
wattage	colour	weight	code	weight	code	weight	code	Kelvin - olm - Ra
SAP-T 150	sil.+grap.	12.20	313763-00			12.20	313763-30	
SAP-T 250	sil.+grap.	13.00	313764-00			13.00	313764-30	
SAP-T 400	sil.+grap.	14.50	313765-00			14.50	313765-30	
JM-E 100	sil.+grap.			12.20	313766-00			4000K - 9000lm
JM-E 150	sil.+grap.			12.20	313767-00			4000K - 14000lm

Standard supply includes pole adapter Ø 60 mm.