



Housing: Made of die-cast aluminium.

Cover: single piece die-cast aluminium, opens on hinges. With aluminium latches and safety device against accidental opening.

Diffuser: Tempered glass 5mm. 5 mm thick, resistant to impact and thermal shock (UNI7142 tests, British standard 3193).

Coating: Graphite grey polyester housing; grey cover (polyester powder coating, resistant to corrosive and saline environments).

Electric gear: 230V/50Hz power supply: Flexible wire terminated with quick connecting admiralty brass clamps; silicone insulation; cross-section: 1 sqmm. 2P terminal block (maximum allowed lead cross-section: 2.5mm sqmm).

Standard supply: Electric gear on a removable tray with quick connectors for line and lampholder connection. With anti-condensation filter. Option to install a photocell.

Equipment: During maintenance the cover stays attached by means of a device that prevents accidental closing. Environment-friendly gasket. Swivel mounting unit with protractor scale to control housing angle; supplied with knife switch.

On request: the articles can be provided with the remote-control and remote management system, also with power reduction.

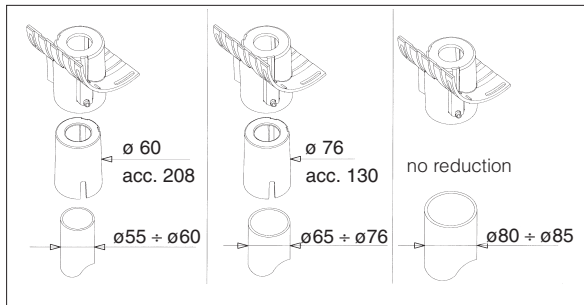
Lighting results: Max + pole 1499

Source	Position	Flux	Disp.	S	H	L	D	I	Lm	Uo	UI	TI%
SAP-T150	X=4 Y=1	17200	Uni.	0	8	8	30	0°	1,34	0,43	0,66	8,8
SAP-T150	X=4 Y=1	17200	Uni.	0	8	8	26	0°	1,53	0,42	0,76	8
SAP-T250	X=2 Y=1	33000	Uni.	0	10	10	38	0°	1,59	0,42	0,71	9,8
SAP-T400	X=1 Y=1	55500	Opp.	0	12	12	44,5	0°	2,06	0,44	0,70	9,2

LIGHT-POLLUTION PREVENTING OPTIC:

Ideal for installation in **Zone 1** (UNI 10819) with the appropriate angle.

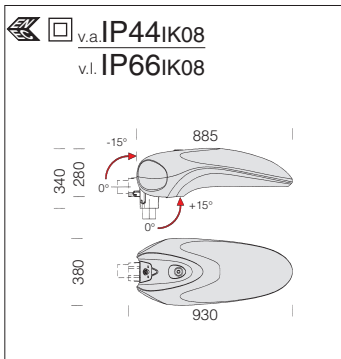
Lm = medium Luminance
 Uo = general Uniformity
 UI = Longitudinal Uniformity
 TI% = debilitating glare



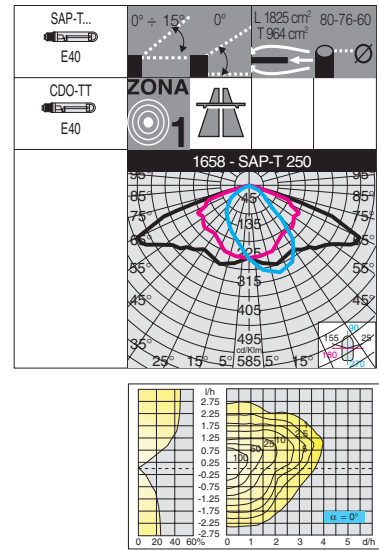
Reflector mounted on the fixture housing, equipped with base for lampholder with bayonet coupling and anti-condensation filter.

Electric gear on a removable tray for easier maintenance, with quick connectors for line and lampholder connection.





Reflector: LIGHT POLLUTION PREVENTING OPTICAL SYSTEM. Pressed aluminium 99.85, anodised and polished, with flux recovery device.

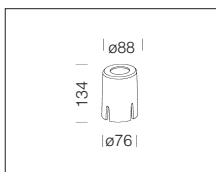
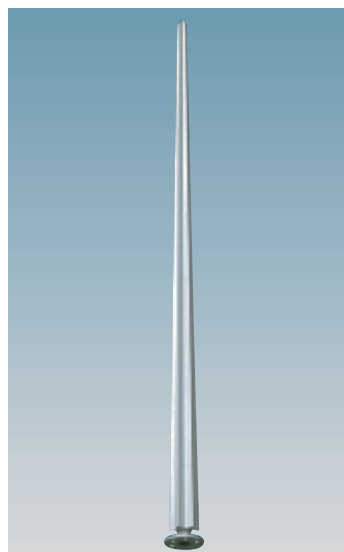
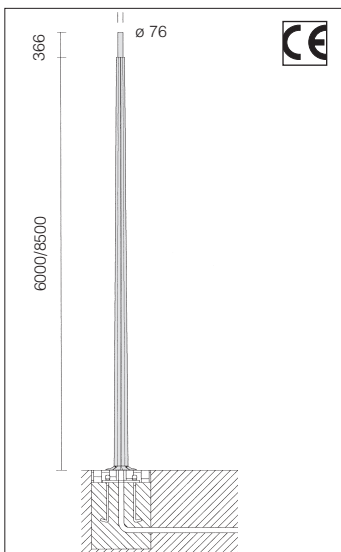


1658 Max

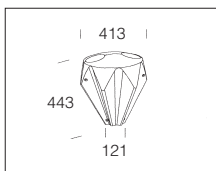
		CNRL		CNR		CNR - dual power wiring		Lamps (Ta=25°C)
wattage	colour	weight	code	weight	code	weight	code	Kelvin - olm - Ra
CDO-TT 150	silver + graphite	12.50	314261-00					2800K - olm - Ra 1b
SAP-T 150	silver + graphite			12.70	314262-00	12.70	314262-30	
SAP-T 250	silver + graphite			13.50	314263-00	13.50	314263-30	
SAP-T 400	silver + graphite			15.00	314264-00	15.00	314264-30	

Use the appropriate power adaptor for pole/head installation.

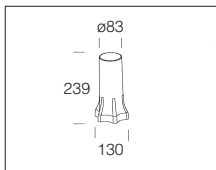
SAP-T: emission of yellow light with high luminous efficiency. Excellent for installation near junctions.



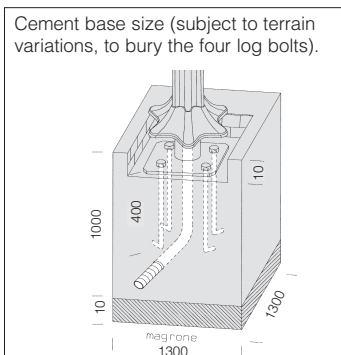
acc. 130 Ø76 pole adapter	
0,50	991230
Made of aluminium. To be used to apply the fixture on a Ø76 pole.	



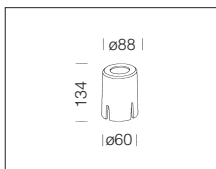
acc. 207 diamond	
s. silver	991241
Made of aluminium. To be installed on the top of pole 1499 to install Max with arm acc. 204.	



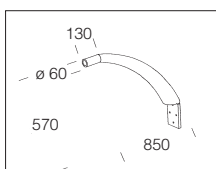
acc. 209 mast-top mounting	
s. silver	991243
To be always used with acc. 130 for mast top installation on acc. 1499.	



acc 1499 pole with base		
h = 6000	silv.	426490
h = 8500	silv.	426491
Made of steel. To be used with acc 207 for arm mounting with acc. 204 or with acc. 208 and 130 for mast-top mounting. Use acc. 209 for mast-top mounting.		
On request: grey graphite at extra cost		



acc. 208 Ø60 pole adapter	
grey	991242
Made of aluminium. To be used to apply the fixture on a Ø60 pole.	



acc. 204 arm	
s. silver	991240
Made of aluminium. For installation on poles acc. 1499. Supplied with Ø60 pole adapter. To be used with acc. 207.	