

Housing: complete with graphite aluminium frame with die-cast aluminium end caps.

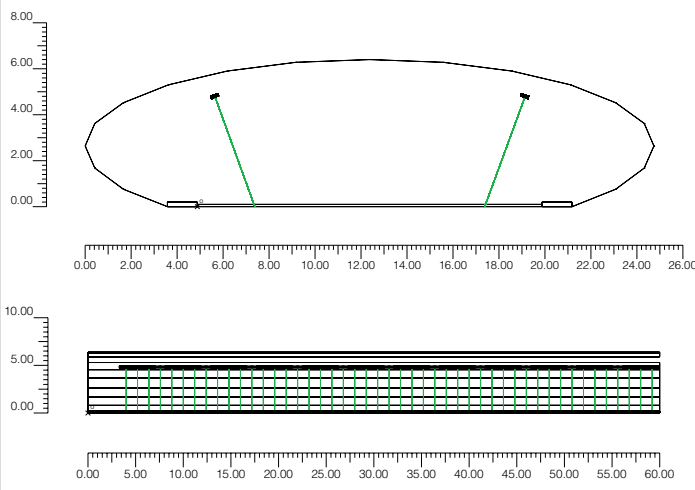
Diffuser: 4 mm frosted and tempered glass, resistant to thermal shock.

Coating: with graphite grey polyester powder, resistant to corrosive and saline environments.

Electric gear: 230-240V / 50/60 Hz power supply with electronic ballast. Hard wire, cross-section 0.50 sqmm, and high-temperature resistant (up to 90°C) PVC-HT sheath, in accordance with CEI 20-20 standards. 2P terminal block (maximum allowed lead cross-section 2.5 sqmm.).

Equipment: snap-lock optic unit secured with safety screws. Fibreglass nylon cable gland \varnothing 1/2 gas thread.

Lighting project



TUNNELS IN THE LINK ROAD BETWEEN THE LECCO THROUGH CARRIAGEWAY AND VALSASSINA - ITALY

- 2259 pcs. 999 FORMA 2x54W lighting fixtures
- 135 pcs. 1997 GALLERY AS. SAP-T150W lighting fixtures
- 200 pcs. 1997 GALLERY AS. SAP-T250W lighting fixtures
- 261 pcs. 1997 GALLERY AS. SAP-T400W lighting fixtures

HOSPITAL ENTRANCE: Length of reinforcement section: 160m.

- reinforcement 160m -92cd/m²
- reinforcement 230 -59cd/m²
- reinforcement 330m -23cd/m²
- reinforcement 430m -12cd/m²

A constant LUMINANCE of 4cd/m² is guaranteed in the INTERNAL area by the permanent lighting system using the 999 Forma FL2x54w (special) lighting fixtures, and providing 2cd/m² at NIGHT.

SLAUGHTERHOUSE ENTRANCE: Length of reinforcement section: 160m.

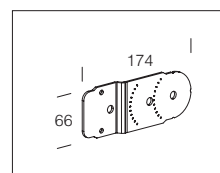
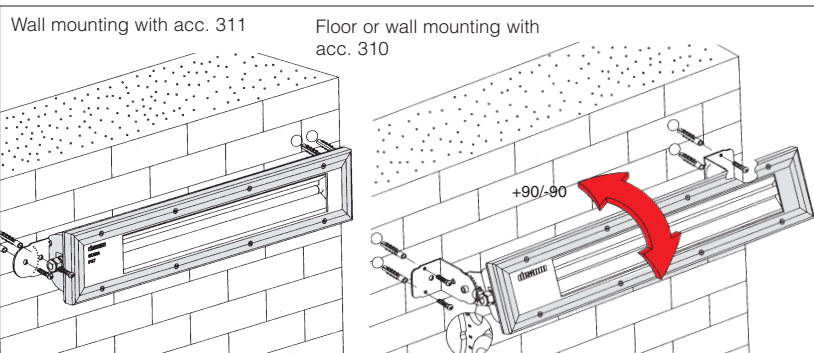
- reinforcement 160m -123cd/m²
- reinforcement 230m -62cd/m²
- reinforcement 330m -30cd/m²
- reinforcement 430m -18cd/m²

A constant LUMINANCE of 4cd/m² is guaranteed in the INTERNAL area by the permanent lighting system using the 999 Forma FL2x54w (special) lighting fixtures, and providing 2cd/m² at NIGHT.

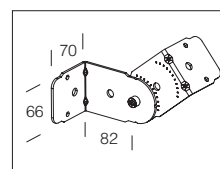
'I POGGI' ENTRANCE Length of reinforcement section: 160m

- reinforcement 160m -103cd/m²
- reinforcement 230m -59cd/m²
- reinforcement 330m -25cd/m²
- reinforcement 430m -13cd/m²

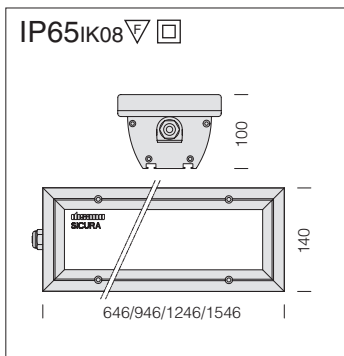
A constant LUMINANCE of 4cd/m² is guaranteed in the INTERNAL area by the permanent lighting system using the 999 Forma FL2x54w (special) lighting fixtures, and providing 2cd/m² at NIGHT.



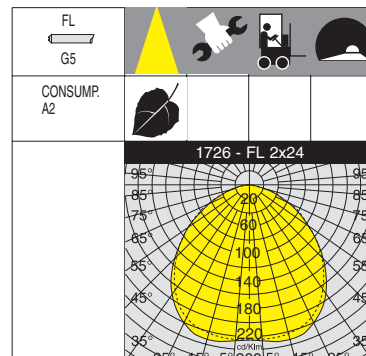
acc. 311 bracket	
stainless steel	993922
To install Sicura permanently on walls/floors. 2 per pack.	



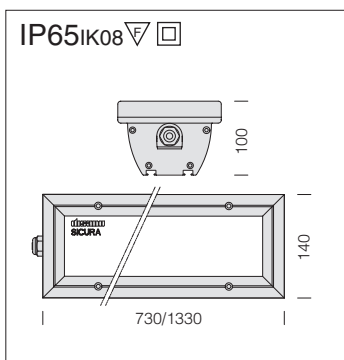
acc. 310 adjustable connection	
stainless steel	993923
To install Sicura on walls/floors. It can be adjusted and tilted. 2 per pack.	



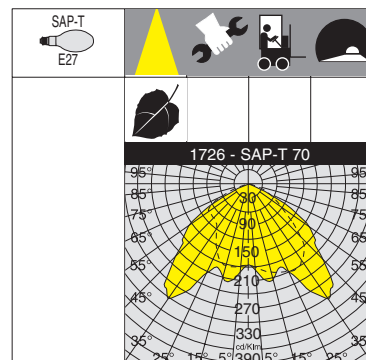
Reflector: symmetrical in high-gloss anodised aluminium.



1726 Sicura - asymmetric T5				
		CELL		Lamps (Ta=25°C)
wattage	colour	weight	code	Kelvin - ølm - Ra
FL 1x24	graphite	3.40	414210-00	4000K - 1750lm - Ra 1b
FL 1x39	graphite	4.50	414211-00	4000K - 3100lm - Ra 1b
FL 1x49	graphite	7.00	414212-00	4000K - 4300lm - Ra 1b
FL 1x54	graphite	5.80	414213-00	4000K - 4450lm - Ra 1b
FL 2x24	graphite	3.40	414220-00	4000K - 1750lm - Ra 1b
FL 2x39	graphite	4.50	414221-00	4000K - 3100lm - Ra 1b
FL 2x49	graphite	7.00	414222-00	4000K - 4300lm - Ra 1b
FL 2x54	graphite	5.80	414223-00	4000K - 4450lm - Ra 1b



Reflector: symmetrical in high-gloss anodised aluminium.



1726 Sicura - symmetric				
		CNRL		Lamps (Ta=25°C)
wattage	colour	weight	code	Kelvin - ølm - Ra
SAP-T1x70	graphite	7.00	414216-00	2000K - 6000lm - Ra 4
SAP-T2x70	graphite	7.00	414226-00	2000K - 6000lm - Ra 4