



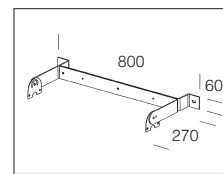
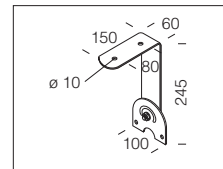
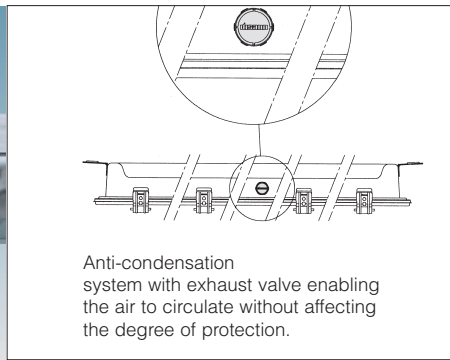
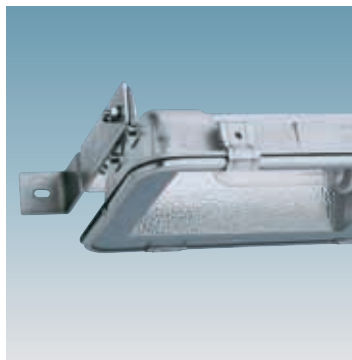
Santo Domingo - Dominican Republic

Housing: made of AISI 304 stainless steel drawn in a single high mechanical resistance piece. Supplied with stainless steel frame.

Diffuser: Thermal shock and impact resistant tempered glass (UNI 7142 British Standard 3193 tests).

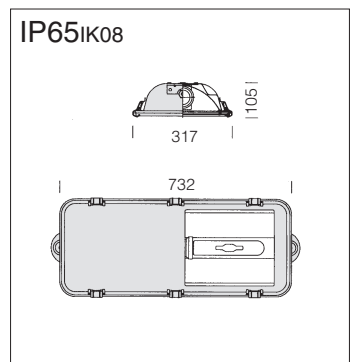
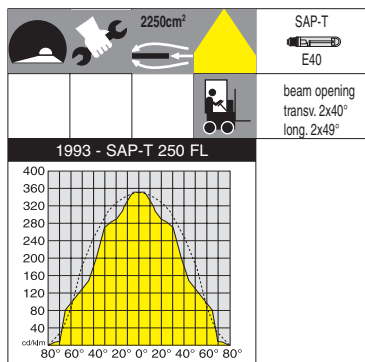
Electric gear: 230V-50Hz power supply with heat protection. Wire terminated with admiralty brass clamps, silicone insulation with fibreglass braid; cross section: 1.5 sqmm 2P+T terminal block (maximum allowed lead cross-section: 4 sqmm).

Equipment: Rubber gasket. Fibreglass nylon cable gland, Ø 1/2 gas. Supplied with ceiling mounting bracket. On request: brass cable gland. Equipped with an air-circulation valve.



acc. 996 adjustable bracket	
stainless steel	166670
Made of stainless steel for the Gallery series. For suspension and rotation.	
2 per pack.	

acc. 127 stainless steel bracket	
stainless steel	998079
For art. 1992/3/4. Enables suspension installation and quick connection. For tunnels, high-speed resistant. Option to install a connector for electric connection.	



Reflector: symmetric, made of hammered aluminium 99.85, one-lamp, narrow beam or wide beam type.

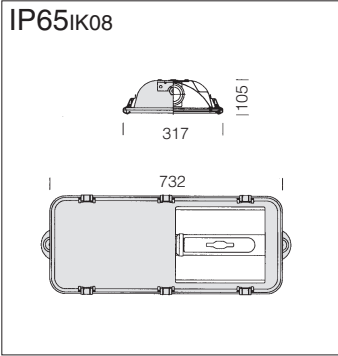
NOTE: upon request, one-lamp versions can be supplied with a quick plug-socket connector.

1992 Gallery - one-lamp FS			
		CNR	
wattage	colour	weight	code
SAP-T 100	natural	10.50	413111-00
SAP-T 150	natural	11.50	413112-00
SAP-T 250	natural	12.50	413113-00
SAP-T 400 *	natural	13.00	413114-00

Double insulation provided on request.
 * SAP-T 400: to be used with acc. 996.

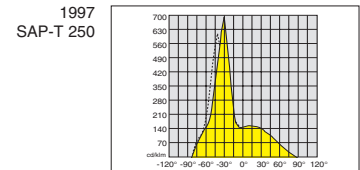
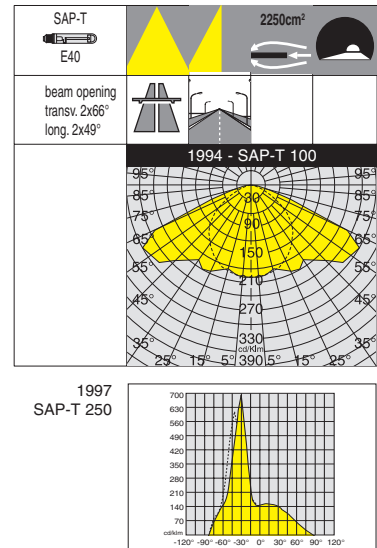
1993 Gallery - one-lamp FL			
		CNR	
wattage	colour	weight	code
SAP-T 100	natural	10.50	413121-00
SAP-T 150	natural	11.50	413122-00
SAP-T 250	natural	12.50	413123-00
SAP-T 400 *	natural	13.00	413124-00

Double insulation provided on request.
 * SAP-T 400: to be used with acc. 996.



Reflector: made of hammered aluminium 99.85, asymmetric wide beam or street type.

NOTE: upon request, one-lamp versions can be supplied with a quick plug-socket connector.



1994 Gallery - one-lamp street type			
		CNR	
wattage	colour	weight	code
SAP-T 100	natural	10.50	413131-00
SAP-T 150	natural	11.50	413132-00
SAP-T 250	natural	12.50	413133-00
SAP-T 400 *	natural	13.00	413134-00

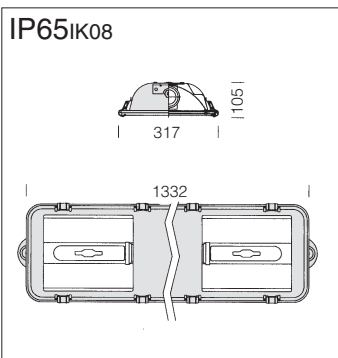
Double insulation provided on request.

* SAP-T 400: to be used with acc. 996.

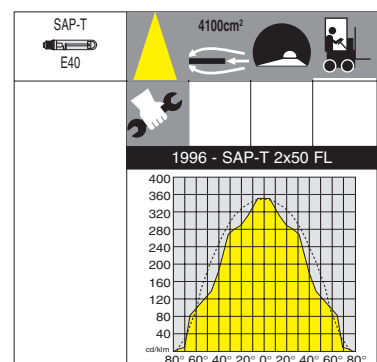
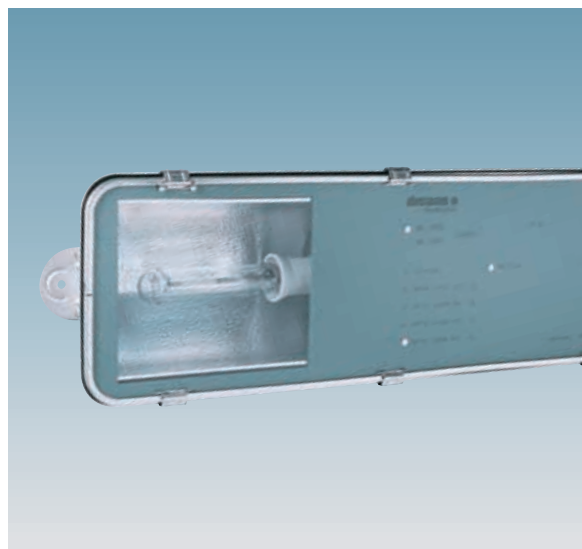
1997 Gallery - asymmetric			
		CNR	
wattage	colour	weight	code
SAP-T 100	natural	10.50	413141-00
SAP-T 150	natural	11.50	413142-00
SAP-T 250	natural	12.50	413143-00
SAP-T 400 *	natural	13.00	413144-00

Double insulation provided on request.

* SAP-T 400: to be used with acc. 996.



Reflector: symmetric, made of hammered aluminium 99.85, narrow beam or wide beam type.



1995 Gallery - two-lamp FS			
		CNR	
wattage	colour	weight	code
SAP-T 2x100	natural	10.50	413211-00
SAP-T 2x150	natural	11.50	413212-00
SAP-T 2x250	natural	12.50	413213-00

1996 Gallery - two-lamp FL			
		CNR	
wattage	colour	weight	code
SAP-T 2x100	natural	10.50	413221-00
SAP-T 2x150	natural	11.50	413222-00
SAP-T 2x250	natural	12.50	413223-00

