



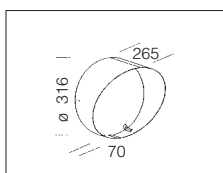
**Housing/Frame:** die-cast aluminium with cooling fins. Components nylon box.

**Diffuser:** tempered glass protection surface, 5 mm thick, resistant to impact and thermal shock.

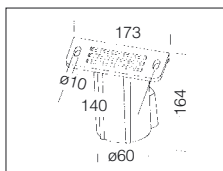
**Coating:** in several stages. First stage: black epoxy cationic electro-coating after a phosphochromate treatment, resistant to corrosive and saline environments. Second stage: UV stabilising priming; final stage: rough finish with frosted silver acrylic paint.

**Electric gear:** 230V-50Hz power supply with heat protection. Wire terminated with admiralty brass clamps; double insulation; cross-section: 1 sqmm. 2P terminal block (maximum allowed lead cross section 2.5 sqmm.)

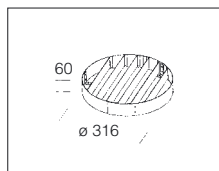
**Equipment:** silicone rubber gasket. Fibreglass nylon cable gland, Ø 1/2 gas. Retained stainless steel screws. Steel bracket with protractor scale. Hinge-opening front frame.



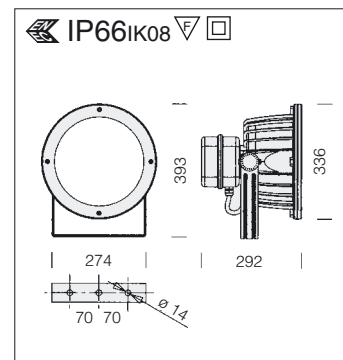
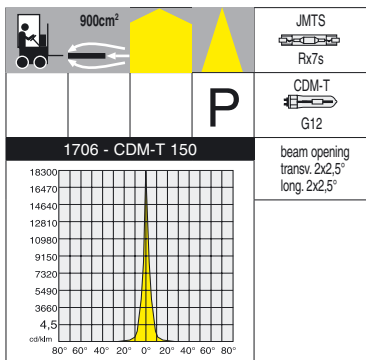
acc. 147 conveyor	
black	995735
Made of steel. Used for conveying the light beam in a single direction. To be used for art. Star/Bario.	



acc. 333 pole mount ø60	
black	997915
Made of aluminium. For installation onto pole ø 60.	



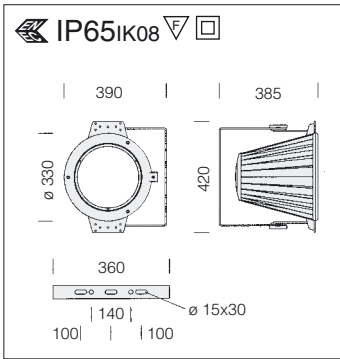
acc. 148 baffle louvre	
black	995736
Made of steel. To reduce glare and improve light control. To be used for art. Star/Bario.	



**Reflector:** aluminium 99.85, anodised 3µ and polished.

1705 Bario - wide beam						
		CNRL		CNRL - coloured lamps		Lamps (Ta=25°C)
wattage	colour	weight	code	weight	code	Kelvin - ølm - Ra
JM-TS 150	s. silver	8.00	411660-00			4200K - 12000lm - Ra 1b
JM-TS 150	s. silver			8.00	411660-96	blu
JM-TS 150	s. silver			8.00	411660-97	verde
JM-TS 150	s. silver			8.00	411660-98	magenta

1706 Bario - narrow beam								
		CNRL		CNRL - coloured lamps		CELL		Lamps (Ta=25°C)
wattage	colour	weight	code	weight	code	weight	code	Kelvin - ølm - Ra
CDM-T 150	s. silver	8.00	411661-00			7.80	411661-08	3000K - 12700lm - Ra 1b
JM-TS 150	s. silver	8.00	411665-00					4200K - 12000lm - Ra 1b
JM-TS 150	s. silver			8.00	411665-96			blue
JM-TS 150	s. silver			8.00	411665-97			green
JM-TS 150	s. silver			8.00	411665-98			magenta



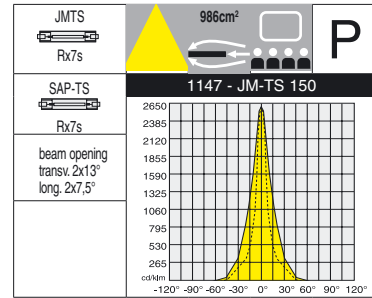
**Housing/Frame:** die-cast aluminium with cooling fins.

**Reflector:** wide beam aluminium 99.85, anodised 3µ and polished.

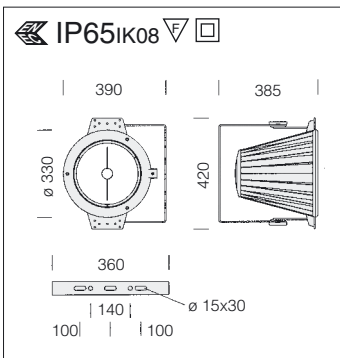
**Diffuser:** tempered glass protection surface, 5 mm thick, resistant to impact and thermal shock.

**Coating:** in several stages. First stage: black epoxy cationic electro-coating after a phosphochromate treatment, resistant to corrosive and saline environments. Second stage: UV stabilising priming; final stage: rough finish with frosted silver acrylic paint.

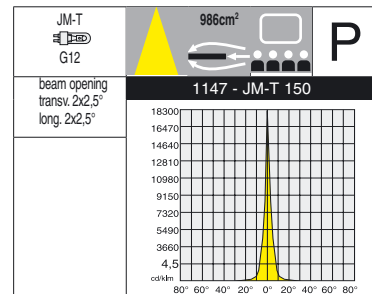
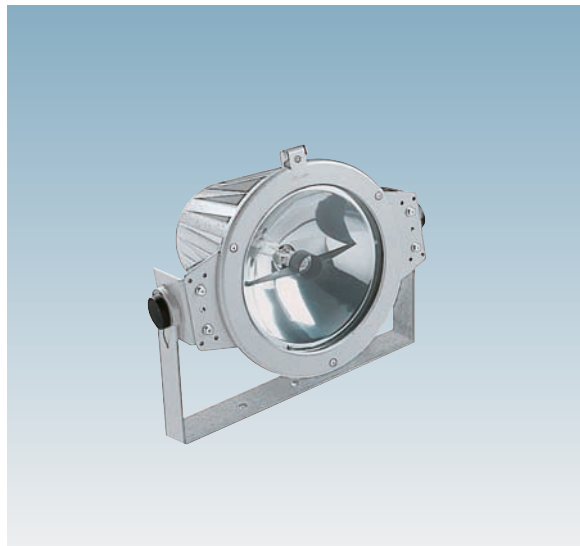
**Electric gear:** 230V-50Hz power supply with heat protection. Wire terminated with admiralty brass clamps; double insulation; cross-section: 1 sqmm. 2P terminal block (maximum allowed lead cross section 2.5 sqmm.)



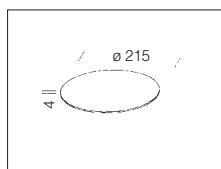
1147 Star - wide beam						
		CNRL		CNRL - coloured lamps		Lamps (Ta=25°C)
wattage	colour	weight	code	weight	code	Kelvin - ølm - Ra
JM-TS 250	s. silver	12.20	412826-00			4200K - 20000 lm - Ra 1b
SAP-TS 150	s. silver	12.50	412827-00			2000K - 15000 lm - Ra 4
JM-TS 150	s. silver	10.70	412828-00			4200K - 12000 lm - Ra 1b
JM-TS 150	s. silver			12.50	412828-96	blue
JM-TS 150	s. silver			12.50	412828-97	green
JM-TS 150	s. silver			10.00	412828-98	magenta



**Reflector:** narrow beam aluminium 99.85, anodised 3µ and polished.



1147 Star - narrow beam						
		CNRL		Lamps (Ta=25°C)		
wattage	colour	weight	code	Kelvin - ølm - Ra		
JM-T 150	s. silver	10.60	412825-00	4200K - 13000lm - Ra 2a		



acc. 134 coloured filter	
blue	990001
red	990002
green	990003
yellow	990004

Colour glass to create special light effects. For JM-T150-1147 version only.