

Housing/frame: die-cast aluminium (ENAB 46-100) with cooling fins.

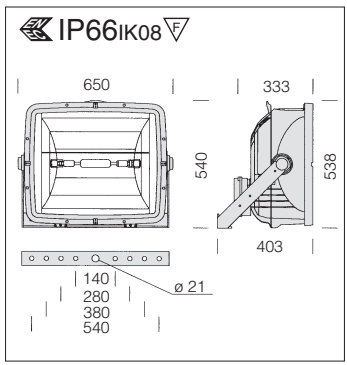
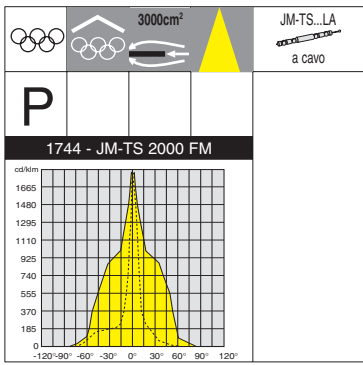
Diffuser: 5 mm tempered glass, resistant to impact and thermal shock (UNI 12150-1: 2001 tests).

Coating: with silver or graphite grey polyester powder, resistant to corrosive and saline environments.

Electric gear: power supply 400V (2000W) e 230V (1000W). Wire terminated with admiralty brass clamps, silicone insulation with fibreglass braid, cross-section: 2.5 sqmm 2P+T nylon terminal block (maximum allowed lead cross-section: 6 sqmm).

Standard features: it is possible to perform maintenance without using tools through the hinged opening at the rear of the fixture. Equipped with an air-circulation valve.

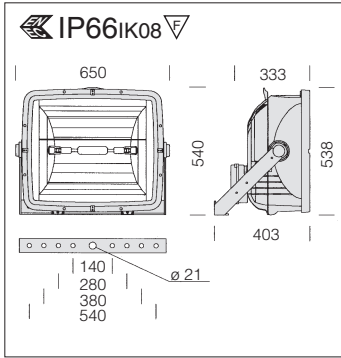
Equipment: fibreglass nylon cable gland, Ø 1/2" gas. Supplied with knife switch enabling safe lamp replacement. Steel bracket with protractor scale and aiming visor. Retained steel screws with special anticorrosion and anti-gripping treatment. Igniter box thermally isolated from the housing. With gasket made of silicone-coated material.



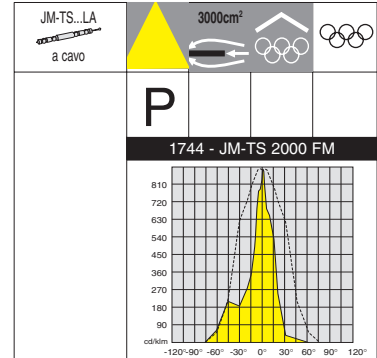
Reflector: narrow beam polished 99.85 aluminium, anodised and polished, with light beam recovering fin.

1743 Area - narrow beam							
		S		CNR hot start		S for lamp sub-code -49	
wattage	colour	weight	code	weight	code	weight	code
Max-TS 1000LA	silver+graphite	23.00	415010-00	42.90	415010-99		
Max-TS 2000LA	silver+graphite	23.00	415011-00	42.90	415011-99	42.90	415011-49

To be used with acc 1177. With standard igniter located inside the special nylon box. For long arc lamps (choose type and colour temperature). Hot start version supplied with acc. 1177 (17,60 kg).
Other versions: please note if order lamp with subcode -49, order EXTERIOR FLOODLIGHTS with subcode -49. The floodlight with subcode-49 is not suitable for hot start.



Reflector: medium beam polished 99.85 aluminium, anodised and polished, with light beam recovering fin.

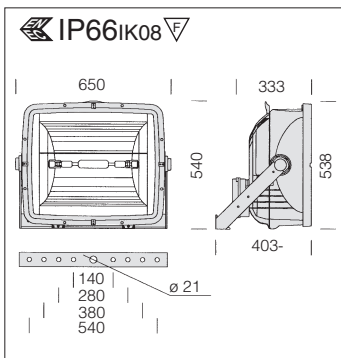


1744 Area - medium beam

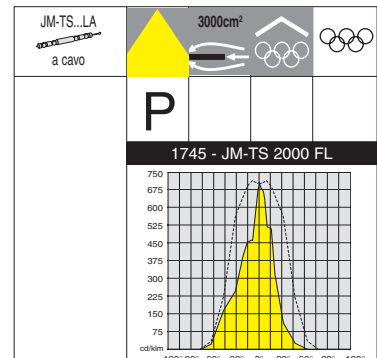
		S		CNR hot start		S for lamp sub-code -49	
wattage	colour	weight	code	weight	code	weight	code
Max-TS 1000LA	silver+graphite	23.00	415020-00	42.90	415020-99		
Max-TS 2000LA	silver+graphite	23.00	415021-00	42.90	415021-99	42.90	415021-49

To be used with acc 1177. With standard igniter located inside the special nylon box. For long arc lamps (choose type and colour temperature). Hot start version supplied with acc. 1177 (17,60 kg).

Other versions: please note if order lamp with subcode -49, order EXTERIOR FLOODLIGHTS with subcode -49. The floodlight with subcode-49 is not suitable for hot start.



Reflector: wide beam polished 99.85 aluminium, anodised and polished, with light beam recovering fin.



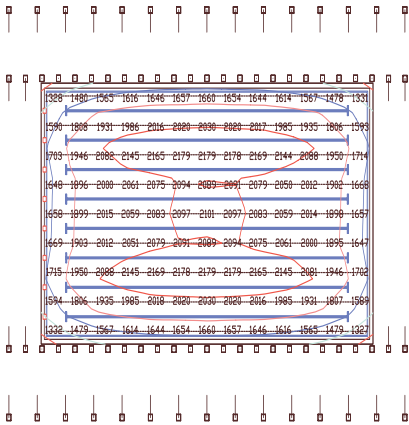
1745 Area - wide beam

		S		CNR hot start		S for lamp sub-code -49	
wattage	colour	weight	code	weight	code	weight	code
Max-TS 1000LA	silver+graphite	23.00	415030-00	42.90	415030-99		
Max-TS 2000LA	silver+graphite	23.00	415031-00	42.90	415031-99	42.90	415031-49

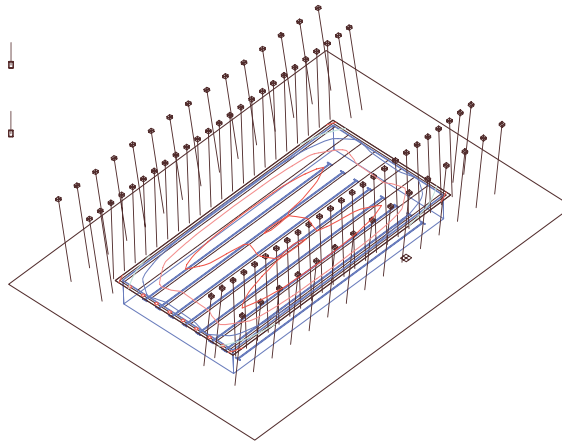
To be used with acc 1177. With standard igniter located inside the special nylon box. For long arc lamps (choose type and colour temperature). Hot start version supplied with acc. 1177 (17,60 kg).

Other versions: please note if order lamp with subcode -49, order EXTERIOR FLOODLIGHTS with subcode -49. The floodlight with subcode-49 is not suitable for hot start.

PROJECT



TV position average



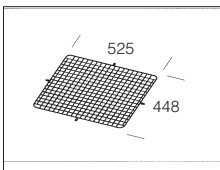
SWIMMING POOL

Dimensions 51,6 x 26,6 m
 Liable to be approved by CONI for competitions with large audience and for professional contests with colour televising.

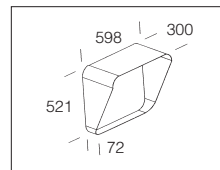
Floodlights: **art. 1746 Area**
 Asymmetric reflector **JM-TS 1000W**
 Light flux 72.000 lm
 Total power 80.000 kW
 Height 13 m
 Total floodlight no. 80
 Initial average illuminance

horiz. 1883 lux
 vert. north 1099 lux
 vert. observant 1320 lux
 Average
 horizontal 1883 lux

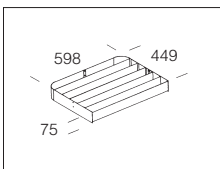
Overall vertical uniformity $U_g = 0,70$
 Medium average
 vert. north 1099 lux
 gen. uniformity $U_g = 0,45$
 Medium average
 vert. observant 1320 lux
 Overall vertical uniformity $U_g = 0,54$



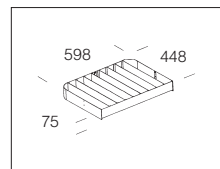
acc. 316 protection guard
 inox 995765
 Made from steel rods. For protection against impact.



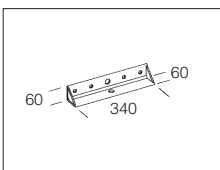
acc. 317 conveyor
 black 995766
 Made of steel. Used to direct the light beam in one direction.



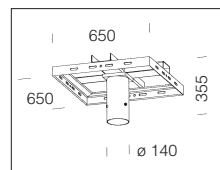
acc. 318 baffle louvre
 black 995767
 Made of steel. To reduce glare and improve light control.



acc. 319 asymmetric shield.
 black 995768
 Made of steel. To reduce glare and improve light control for asymmetric Area floodlights.



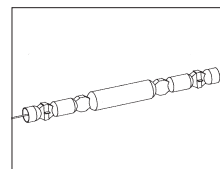
acc. 345 tilted bracket
 995770
 To be used to install Area on platforms with glass parallel to the ground.



acc. 163 steel pole mount
 galvanized 998094
 To be used to install up to 4 Area floodlights on steel poles

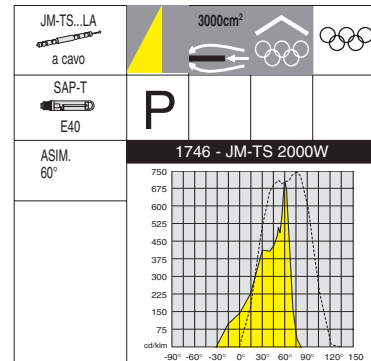
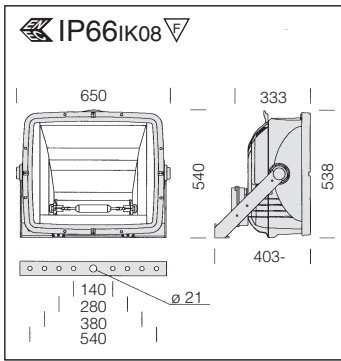


acc. 1177 gear CC IP65
 JM-TS/SAP-T 1000 997640-00
 JM-TS 2000 997642-00
 Aluminium box containing ballast, igniter and capacitor.



Long arc lamps LA
 JM-TS 1000/230V 986121
 JM-TS 2000/400V 986122
 JM-TS 2000/400V 986122-49
 When ordering specify the type and the colour of the lamps:
 986121 - 5600K (for TV filming) Ra 90
 986122 - 5600K (for TV filming) Ra 90
 986123 - 4200K - Ra 90

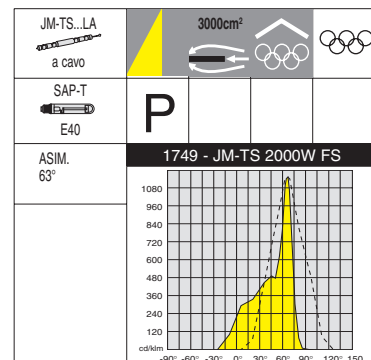
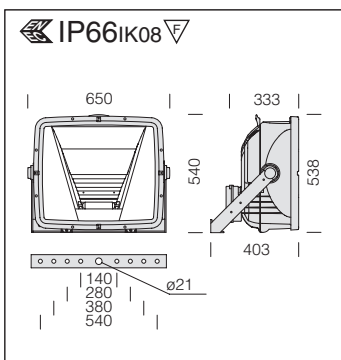




Reflector: asymmetric and symmetric polished 99.85 aluminium, anodised and polished, with light beam recovering fin.
The asymmetric version emits a 60° light flux.

1746 Area - asymmetric 60°								
wattage	colour	S		S+L		CNR hot start		Lamps (Ta=25°C)
		weight	code	weight	code	weight	code	Kelvin - 0lm - Ra
Max-TS 1000LA	silver+graphite	23.00	415110-00			23.00	415110-99	
Max-TS 2000LA	silver+graphite	23.00	415111-00			23.00	415111-99	
SAP-T 1000	silver+graphite			23.00	415120-00			2000K - 130000lm - Ra 4

To be used with acc 1177. With standard igniter located inside the special nylon box. For long arc lamps (choose type and colour temperature). Hot start version supplied with acc. 1177 (17,60 kg).
Other versions: please note if order lamp with subcode -49, order EXTERIOR FLOODLIGHTS with subcode -49. The floodlight with subcode-49 is not suitable for hot start.



Reflector: asymmetric and symmetric polished 99.85 aluminium, anodised and polished, with light beam recovering fin.
The asymmetric version emits a 63° light flux.

1749 Area - asymmetric FS								
wattage	colour	S		S+L		CNR hot start		Lamps (Ta=25°C)
		weight	code	weight	code	weight	code	Kelvin - 0lm - Ra
Max-TS 1000LA	silver+graphite	23.00	415130-00			23.00	415130-99	
Max-TS 2000LA	silver+graphite	23.00	415131-00			23.00	415131-99	
SAP-T 1000	silver+graphite			23.00	415132-00			2000K - 130000lm - Ra 4

To be used with acc 1177. With standard igniter located inside the special nylon box. For long arc lamps (choose type and colour temperature). On request: asymmetric luminous beam 55°. Hot start version supplied with acc. 1177 (17,60 kg).
Other versions: please note if order lamp with subcode -49, order EXTERIOR FLOODLIGHTS with subcode -49. The floodlight with subcode-49 is not suitable for hot start.