



Dinamo Vitebsk stadium - Belarus

Housing/frame: EN AB 46-100 die-cast aluminium, with wide cooling fins.

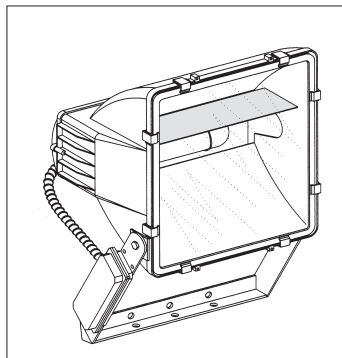
Diffuser: Tempered glass 5 mm thick, resistant to impact and thermal shock (UNI7142 tests, British standard 3193).

Coating: Graphite grey polyester powder coating, resistant to corrosion and saline environments.

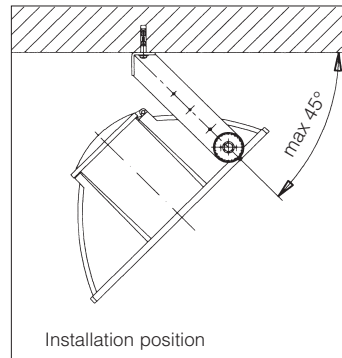
Electric gear: Power supply for 400V lamp. Flexible wire terminated with admiralty brass clamps, insulation with fibreglass braid; cross section: 2.5 sqmm . 2P+T terminal block (maximum allowed lead cross-section: 4 sqmm).

Standard supply: The back of the fixture opens on hinges. Equipped with an air-circulation valve.

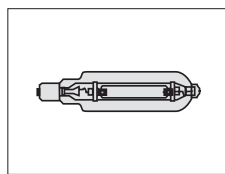
Equipment: Silicone rubber gasket . Fibreglass nylon cable gland, Ø1/2 gas. Retained steel screws with special anticorrosion and anti-gripping treatment. Steel bracket with protractor scale. Igniter box thermally isolated from the housing.



The lamp housing opens on hinges. When open, the lamp housing stays attached to the luminaire body for easy maintenance, while aiming remains unchanged.

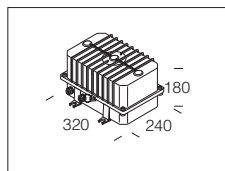


Installation position



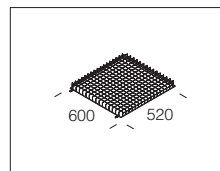
Lamps for art. 1125

JM-T2000D/I	986110	7250K - 180000lm- IRC93 - 400 V.
With built-in igniter.		



37 box - IP65

black	997601
Aluminium box with steel gear tray. Cationic electrocoating. Fitted to contain electric accessories.	



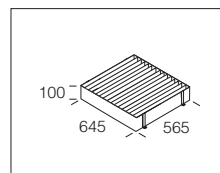
acc. 19 protective guard

black	995700
Plastic-coated steel rod. For protection against impact.	



acc. 1177 gear CC IP65

JM-T 2000	997642-00
Made of aluminium with removable steel gear tray. Contents: ballast and capacitor.	



acc. 20 baffle louvre

black	995699
Steel painted by cationic electrocoating. To reduce glare and improve light control.	

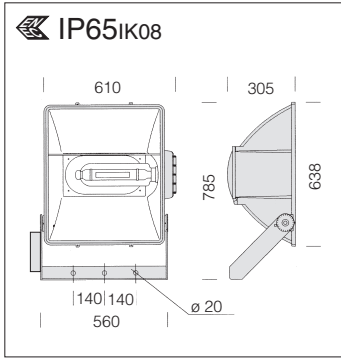


Standard supply includes connection box with the option to insert the igniter when using lamps not equipped with built-in igniter.

Option to move the light recovery fin in the reflector, to optimize the luminous efficiency and to direct the light when the floodlight is installed with the bracket upwards.



Bracket with adjustment protractor scale for accurate aiming of the floodlight. Supplied with fixing pin to prevent aiming variations.

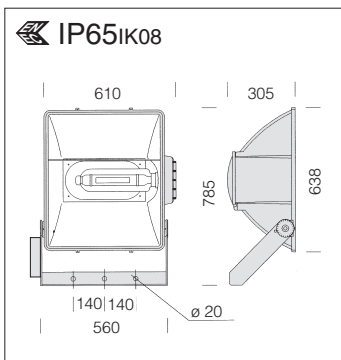
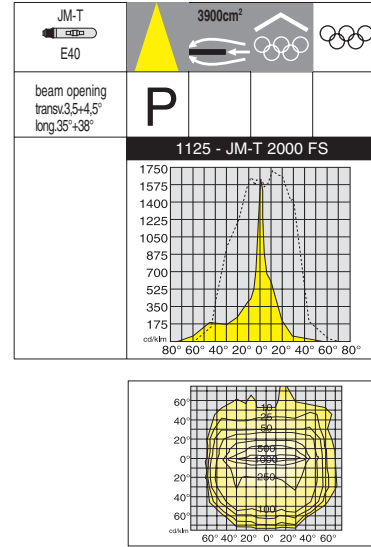


Reflector: Pressed prismatic aluminium 99.85, anodised and polished, with light narrow beam recovering fin.



1125 Lampo - narrow beam			
		S	
wattage	colour	weight	code
JM-T 2000	graphite	21.50	412644-00

Supplied without igniter. To be used with acc. 1177.



Reflector: Pressed prismatic aluminium 99.85, anodised and polished, with light wide beam recovering fin.



1125 Lampo - wide beam			
		S	
wattage	colour	weight	code
JM-T 2000	graphite	21.50	412645-00

Supplied without igniter. To be used with acc. 1177.

