

Borromeo Palace - Milan



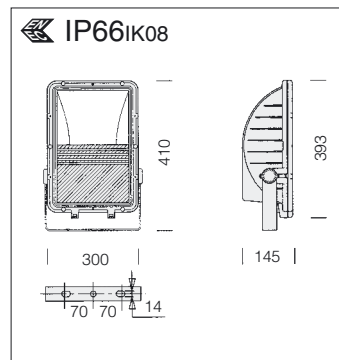
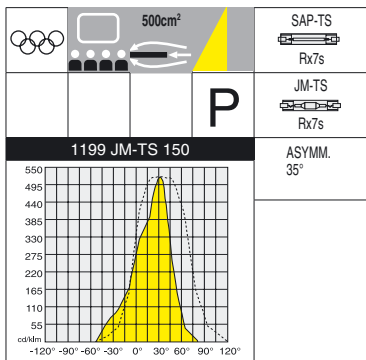
Housing/frame: die-cast aluminium with cooling fins.

Diffuser: clear or frosted tempered glass, 5 mm thick, resistant to impact and thermal shock (UNI7142 tests, British standard 3193).

Coating: sand-blasted silver-grey polyester powder coating, resistant to corrosive and saline environments.

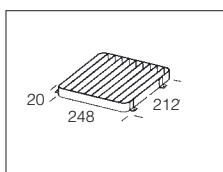
Electric gear: 230V-50Hz power supply with heat protection. Flexible wire terminated with admiralty brass clamps, silicone insulation with fibreglass braid; cross section: 1 sqmm 2P+T terminal block (maximum allowed lead cross-section: 4 sqmm).

Equipment: silicone rubber gasket. Fibreglass nylon cable gland, Ø1/2 gas. Retained steel screws with special anticorrosion and anti-gripping treatment. Steel bracket with protractor scale. The hinged front frame stays attached to the housing for easy maintenance.

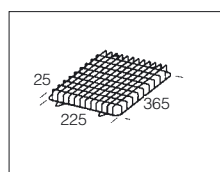


Reflector: asymmetric made of 2µ thick 99.85 anodised and polished hammered aluminium.

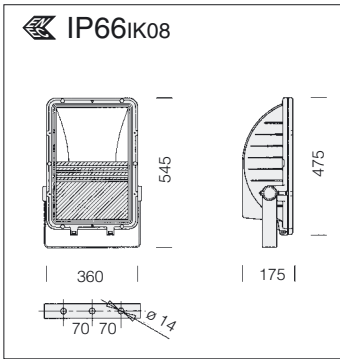
1199 Mini Cesio - asymmetric				
		CNRL		Lamps (Ta=25°C)
wattage	colour	weight	code	Kelvin - ølm - Ra
JM-TS 70	s. silver	6.30	411520-00	4000K - 5700lm - Ra 1b
SAP-TS 70	s. silver	6.00	411521-00	2000K - 6800lm - Ra 4
JM-TS 150	s. silver	7.00	411522-00	4200K - 12000lm - Ra 1b
SAP-TS 150	s. silver	7.30	411523-00	2000K - 15000lm - Ra 4



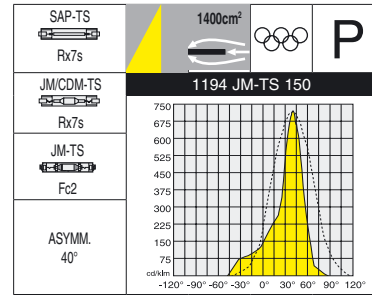
acc. 143 baffle louvre
black 995733
Made of steel. To reduce glare and improve light control. **Only for MiniCesio.**



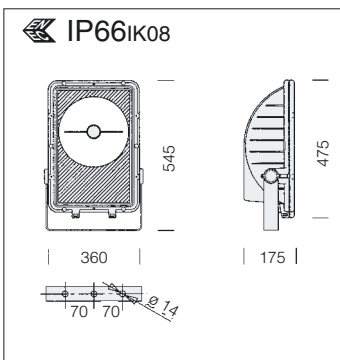
acc. 141 protection guard
black 995732
Plastic-coated steel rod. For protection against impact. **Only for MiniCesio.**



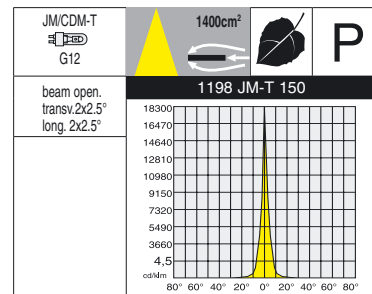
Reflector: asymmetric made of 2μ thick 99.85 anodised and polished hammered aluminium.



1194 Cesio - asymmetric						
		CNRL		CNRL double insulation		Lamps (Ta=25°C)
wattage	colour	weight	code	weight	code	Kelvin - ølm - Ra
JM-TS 150	s. silver	11.00	411220-00	11.00	411220-14	4000K - 5700lm - Ra 1b
SAP-TS 150	s. silver	11.00	411221-00	11.00	411221-14	2000K - 15000lm - Ra 4
JM-TS 250	s. silver	12.00	411222-00			4200K - 20000lm - Ra 1b
CDM-TS 150	s. silver	11.00	411222-85			

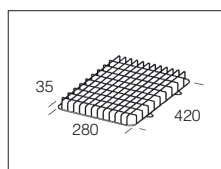


Reflector: narrow beam high-gloss aluminium.



1198 Cesio - narrow beam						
		CNRL		CNRL double insulation		Lamps (Ta=25°C)
wattage	colour	weight	code	weight	code	Kelvin - ølm - Ra
JM-T 150	s. silver	10.20	411420-00	10.20	411420-14	4200K - 13000lm - Ra 1a
CDM-T 150	s. silver	10.20	411420-85			3000K - 12700lm - Ra 1b

acc. 131 protection guard
black 995730
Plastic-coated steel rod. For protection against impact. **Only for Cesio.**



acc. 132 baffle louvre
black 995731
Made of steel. To reduce glare effects and improve light control. **Only for Cesio.**

