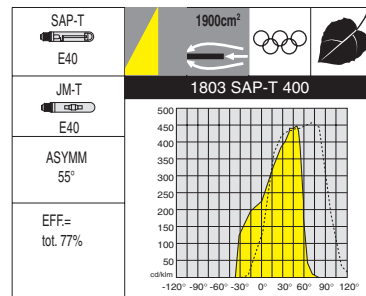
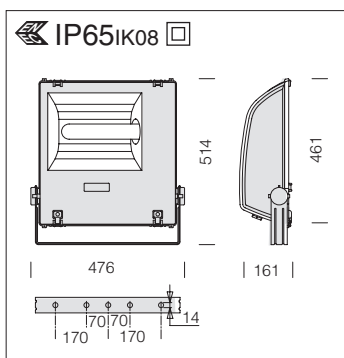
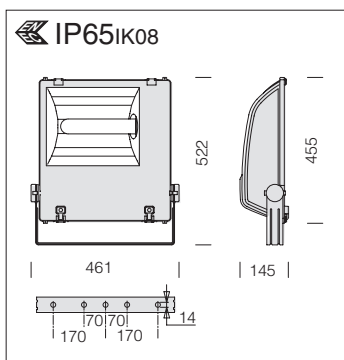


**Reflector:** asymmetric 55° (efficiency 77%) made of 3μ thick 99.85 anodised and polished hammered aluminium.

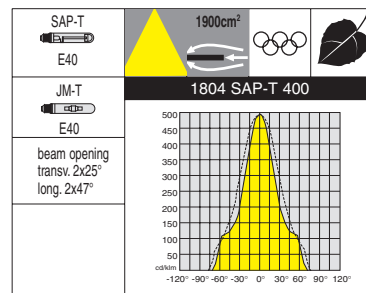


1803 Rodio 3 - asymmetric						
		CNRL		CNRL double insulation		Lamps (Ta=25°C)
wattage	colour	weight	code	weight	code	Kelvin - ølm - Ra
SAP-T 150	graphite	10.50	414715-00	10.50	414710-14	2000K - 15000lm - Ra 4
SAP-T 250	graphite	11.50	414716-00	11.50	414711-14	2000K - 28000lm - Ra 4
SAP-T 400	graphite	13.20	414717-00	13.20	414712-14	2000K - 48000lm - Ra 4
JM-T 250	graphite	10.60	414718-00	10.60	414713-14	4500K - 20500lm - Ra 2b
JM-T 400	graphite	11.30	414719-00	11.30	414714-14	4500K - 35000lm - Ra 2b

Double insulation version supplied with knife switch.



**Reflector:** symmetric made of 3μ thick 99.85 anodised and polished hammered aluminium.



1804 Rodio 3 - symmetric						
		CNRL		CNRL double insulation		Lamps (Ta=25°C)
wattage	colour	weight	code	weight	code	Kelvin - ølm - Ra
SAP-T 150	graphite	10.50	414815-00	10.50	414810-14	2000K - 15000lm - Ra 4
SAP-T 250	graphite	11.50	414816-00	11.50	414811-14	2000K - 28000lm - Ra 4
SAP-T 400	graphite	13.20	414817-00	13.20	414812-14	2000K - 48000lm - Ra 4
JM-T 250	graphite	10.60	414818-00	10.60	414813-14	4200K - 20000lm - Ra 2b
JM-T 400	graphite	11.30	414819-00	11.30	414814-14	4000K - 42000lm - Ra 2b

Double insulation version supplied with knife switch.