

Bialystok - Santa Maria Assunta Cathedral (Poland)



Cruiser "Aurora" - St. Petersburg (Russia)



Housing: die-cast aluminium with cooling fins.

Diffuser: tempered glass 5 mm thick, resistant to impact and thermal shock (UNI7142 tests, British standard 3193).

Coating: graphite grey polyester powder coating, resistant to corrosive and saline environments.

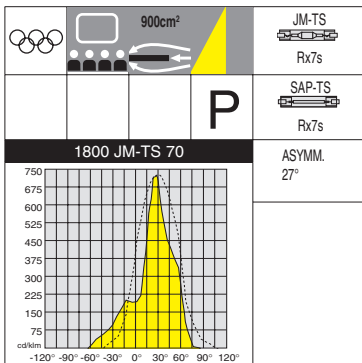
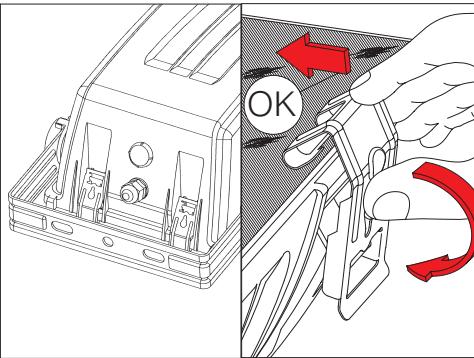
Electric gear: 230V/50Hz power supply with heat protection. Flexible wire terminated with admiralty brass clamps, fibreglass braid insulation, cross section: 1sqmm.(up to 400W). 2P terminal block (maximum allowed lead cross-section: 4sqmm).

Equipment: silicone rubber gasket. Fibreglass nylon cable gland, Ø 1/2 gas. Ø 1/2inch gas. Corrosion and gripping resistant retained stainless steel screws. Steel bracket with pro-tractor scale. The front frame opens on hinges (no tools required) and stays attached to the fixture housing. Equipped with air circulation valve. Latches: AISI 301 stainless steel. Supplied with knife switch in double insulation (without art. 1800).

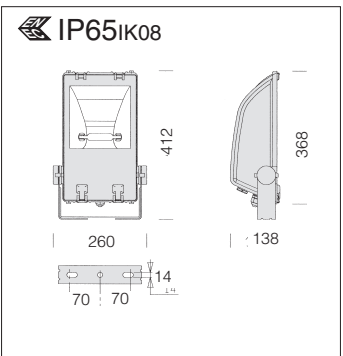


Anti-condensation system with exhaust valve ensuring air circulation without altering the degree of protection, for longer useful life of the components.

The front frame stays attached to the housing for easy maintenance.

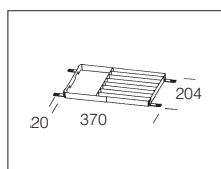


For powered version see LED chapter.

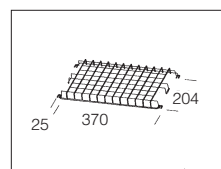


Reflector: asymmetric; made of 3µ thick 99.85 anodised and polished hammered aluminium.

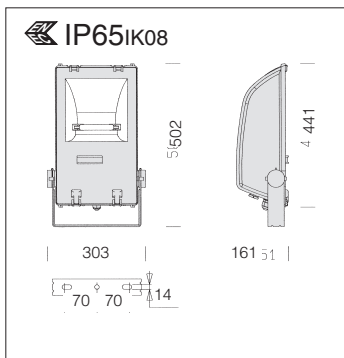
| 1800 Rodio 1 - asymmetric | | | | |
|---------------------------|----------|--------|-----------|------------------------|
| | | CNRL | | Lamps (Ta=25°C) |
| wattage | colour | weight | code | Kelvin - ølm - Ra |
| JM-TS 70 | graphite | 5.50 | 414510-00 | 4000K - 5700lm - Ra 1b |
| SAP-TS 70 | graphite | 5.50 | 414511-00 | 2000K - 6800lm - Ra 4 |



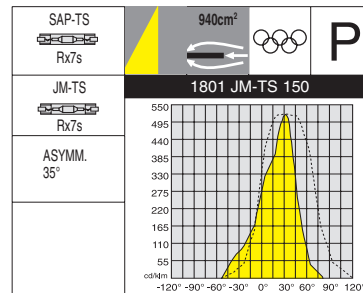
acc. 346 louvre
black 997917
Made of steel. To reduce glare and improve light control. **For art. 1800.**



acc. 349 protection guard
black 997920
Plastic-coated steel rod. For protection against impact. **For art. 1800.**

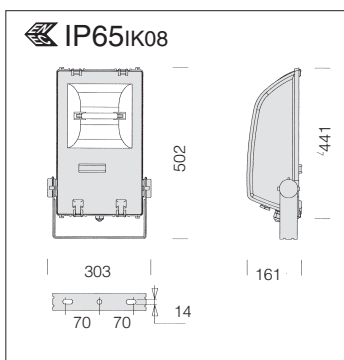


Reflector: asymmetric; made of 3μ thick 99.85 anodised and polished hammered aluminium.

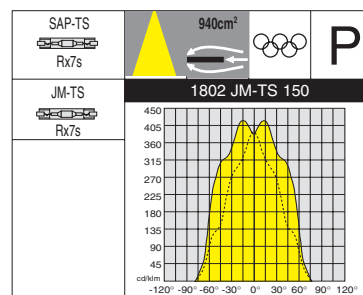


| 1801 Rodio 2 - asymmetric | | | | | | |
|---------------------------|----------|--------|-----------|------------------------|-----------|------------------------|
| | | CNRL | | CNRL double insulation | | Lamps (Ta=25°C) |
| wattage | colour | weight | code | weight | code | Kelvin - ølm - Ra |
| JM-TS 150 | graphite | 7.35 | 414610-00 | 7.35 | 414610-14 | 4200K-12000lm - Ra 1b |
| SAP-TS 150 | graphite | 7.35 | 414611-00 | 7.35 | 414611-14 | 2000K - 15000lm - Ra 4 |

Double insulation version supplied with knife switch.



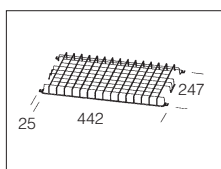
Reflector: symmetric; made of 3μ thick 99.85 anodised and polished hammered aluminium.



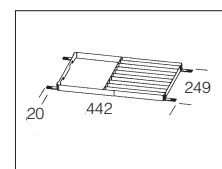
| 1802 Rodio 2 - symmetric | | | | | | |
|--------------------------|----------|--------|-----------|------------------------|-----------|------------------------|
| | | CNRL | | CNRL double insulation | | Lamps (Ta=25°C) |
| wattage | colour | weight | code | weight | code | Kelvin - ølm - Ra |
| JM-TS 150 | graphite | 7.35 | 414620-00 | 7.35 | 414620-14 | 4200K-12000lm - Ra 1b |
| SAP-TS 150 | graphite | 7.35 | 414621-00 | 7.35 | 414621-14 | 2000K - 15000lm - Ra 4 |

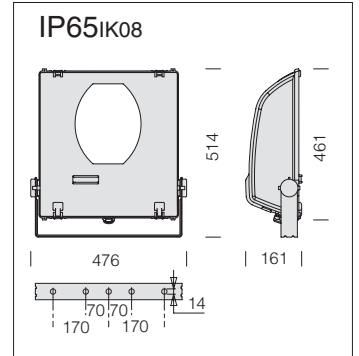
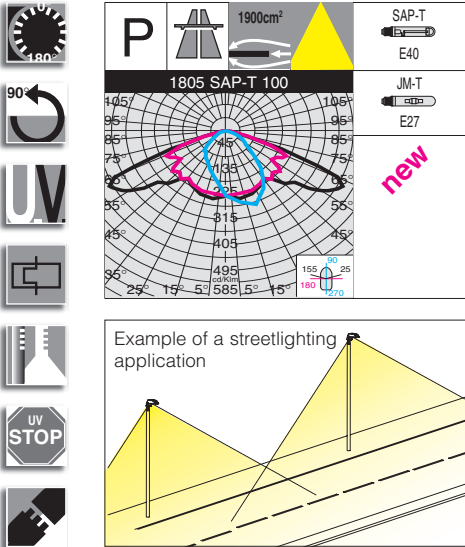
Double insulation version supplied with knife switch.

| acc. 350 protection guard | |
|---|--------|
| black | 997921 |
| Plastic-coated steel rod. For protection against impact. For art. 1801/1802. | |



| acc. 347 louvre | |
|---|--------|
| black | 997918 |
| Made of steel. To reduce glare and improve light control. For art. 1801/2. | |



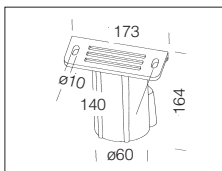
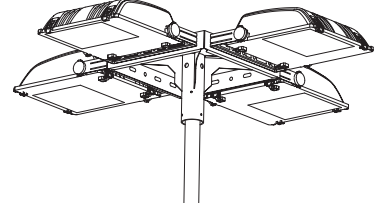
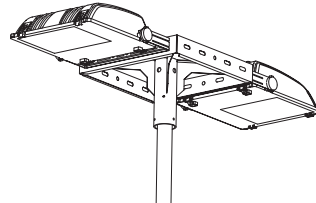
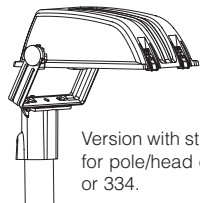


Reflector: light pollution preventing optic unit, pressed 99.85 aluminium, anodically oxidized and polished, supplied with light flux recovery device.

1805 Rodio 3 - street optical

| wattage | colour | CNRL | | CNRL double insulation | | Lamps (Ta=25°C) |
|-----------|----------|--------|-----------|------------------------|-----------|-------------------------|
| | | weight | code | weight | code | Kelvin - ølm - Ra |
| SAP-T 150 | graphite | 10.50 | 414720-00 | 10.50 | 414720-14 | 2000K - 15000lm - Ra 4 |
| SAP-T 250 | graphite | 11.50 | 414721-00 | 11.50 | 414721-14 | 2000K - 28000lm - Ra 4 |
| JM-T 150 | graphite | 10.50 | 414722-00 | 10.50 | 414722-14 | 4000K - 14000lm - Ra 1b |

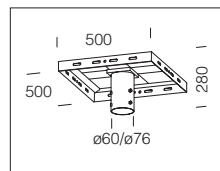
Double insulation version supplied with knife switch.



acc. 333 pole attach. ø60

| | |
|----------|--------|
| graphite | 997915 |
|----------|--------|

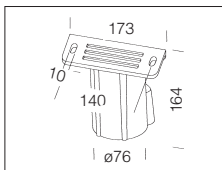
Made of aluminium. To be used to apply the fixture on a ø 60 pole.



acc. 164 pole attachment

| | |
|------------|--------|
| galvanized | 998097 |
|------------|--------|

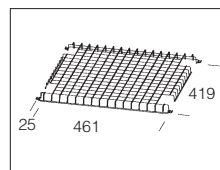
Made in galvanized steel. To be used to apply on a pole until 4 fixture ø60/ø76.



acc. 334 pole attach. ø76

| | |
|----------|--------|
| graphite | 997916 |
|----------|--------|

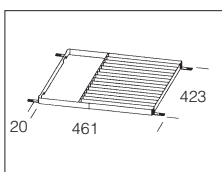
Made of aluminium. To be used to apply the fixture on a ø 76 pole.



acc. 351 protection guard

| | |
|-------|--------|
| black | 997922 |
|-------|--------|

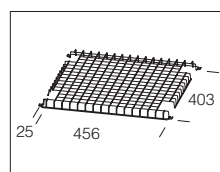
Plastic-coated steel rod. For protection against impact. **For art. 1803/1804 double insulation**



acc. 348 louvre

| | |
|-------|--------|
| black | 997919 |
|-------|--------|

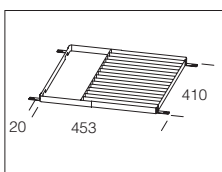
Made of steel. To reduce glare and improve light control. **For art. 1803/4. Double insulation**



acc. 403 protection guard

| | |
|-------|--------|
| black | 997923 |
|-------|--------|

Plastic-coated steel rod. For protection against impact. **For art. 1803/4.**



acc. 404 louvre

| | |
|-------|--------|
| black | 997924 |
|-------|--------|

Made of steel. To reduce glare and improve light control. **For art. 1803/4.**