

Housing: Fibreglass reinforced plastic material.

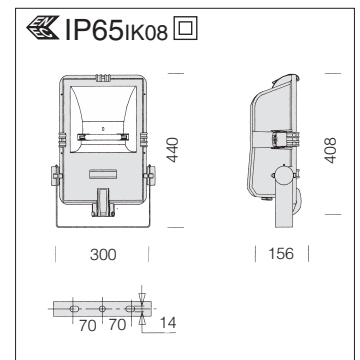
Reflector: Symmetric or asymmetric, made of anodised, anodised and polished hammered aluminium 99.85.

Diffuser: Tempered glass 5 mm thick, resistant to impact and thermal shock.

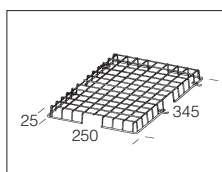
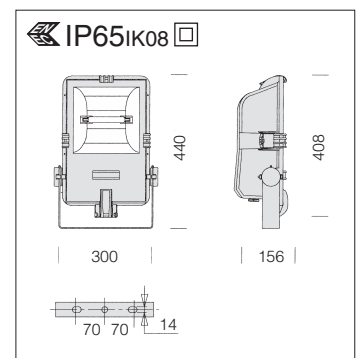
Wiring: 230V-50Hz power supply with heat protection. Wire terminated with admiralty brass clamps, silicone insulation with fibreglass braid; cross section: 1 sqmm. 2P terminal block (maximum allowed lead cross section 2,5 sqmm.)

Equipment: Silicone rubber gasket. Fibreglass nylon cable gland, Ø 1/2" gas. Retained steel screws with special anticorrosion and anti-

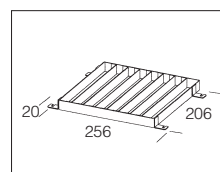
1719 - asymmetric				
		CNRL		Lamps (Ta=25°C)
wattage	colour	weight	code	Kelvin - ølm - Ra
JM-TS 70	black	5.10	411630-00	4000K - 5700lm - Ra 1b
JM-TS 70	m. silver	5.10	411640-00	
SAP-TS 70	black	5.10	411631-00	2000K - 6800lm - Ra 4
SAP-TS 70	m. silver	5.10	411641-00	
JM-TS 150	black	5.80	411632-00	4200K - 12000lm - Ra 1b
JM-TS 150	m. silver	5.80	411642-00	
SAP-TS 150	black	5.90	411633-00	2000K - 15000lm - Ra 4
SAP-TS 150	m. silver	5.90	411643-00	



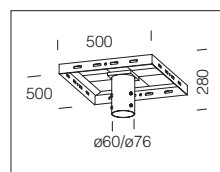
1720 - symmetric					
		CNRL		CELL	Lamps (Ta=25°C)
wattage	colour	weight	code	weight	code
FLC 42 T/E	black			5.50	411736-00
JM-TS 70	black	5.20	411730-00		
JM-TS 70	m. silver	5.20	411740-00		
SAP-TS 70	black	5.20	411731-00		
SAP-TS 70	m. silver	5.20	411741-00		
JM-TS 150	black	5.80	411732-00		
JM-TS 150	m. silver	5.80	411742-00		
SAP-TS 150	black	5.90	411733-00		
SAP-TS 150	m. silver	5.90	411743-00		
JM-E 100	black	5.40	411734-00		
JM-E 100	m. silver	5.40	411744-00		
SAP-E 70	black	5.40	411735-00		
SAP-E 70	m. silver	5.40	411745-00		



acc. 175 protection guard
 black | 991370
 Plastic-coated steel rod. For protection against impact. **For art. 1719/1720.**



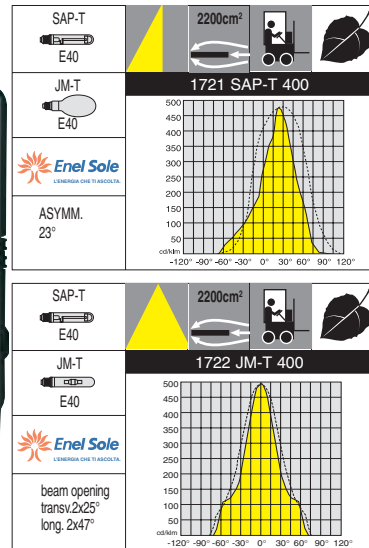
acc. 176 baffle louver
 black | 991371
 Made of steel. To reduce glare and improve light control. **For art. 1719/1720.**



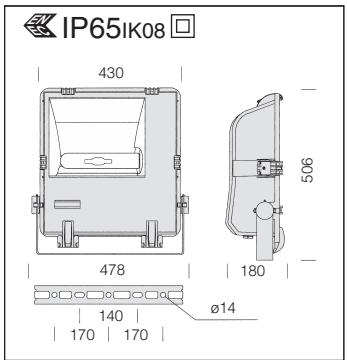
acc. 164 pole attachment
 galvanized | 998097
 Made in galvanized steel. To be used to apply on a pole until 4 fixture ø60/ø76.

gripping treatment. Black painted steel bracket with protractor scale. The hinged front frame can be opened without tools, and stays attached to the housing for easy maintenance. Supplied with knife switch. Equipped with an air-circulation valve.

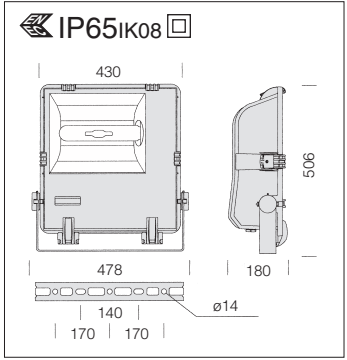
Supplied with knife switch.



EXTERIOR FLOODLIGHTS

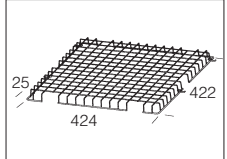


1721 - asymmetric				
		CNRL		Lamps (Ta=25°C)
wattage	colour	weight	code	Kelvin - ølm - Ra
SAP-T 250	black	10.00	411831-00	2000K - 28000lm - Ra 4
SAP-T 250	m. silver	10.00	411841-00	
SAP-T 400	black	11.50	411832-00	2000K - 48000lm - Ra 4
SAP-T 400	m. silver	11.50	411842-00	
JM-T 250	black	9.20	411833-00	4500K - 20500lm - Ra 2b
JM-T 250	m. silver	9.20	411843-00	
JM-T 400	black	10.00	411834-00	4500K - 35000lm - Ra 2b
JM-T 400	m. silver	10.00	411844-00	

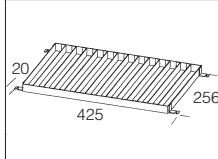


1722 - symmetric				
		CNRL		Lamps (Ta=25°C)
wattage	colour	weight	code	Kelvin - ølm - Ra
SAP-T 250	black	10.00	411931-00	2000K - 28000lm - Ra 4
SAP-T 250	m. silver	10.00	411941-00	
SAP-T 400	black	11.50	411932-00	2000K - 48000lm - Ra 4
SAP-T 400	m. silver	11.50	411942-00	
JM-T 250	black	9.10	411933-00	4500K - 20500lm - Ra 2b
JM-T 250	m. silver	9.10	411943-00	
JM-T 400	black	9.90	411934-00	4500K - 35000lm - Ra 2b
JM-T 400	m. silver	9.90	411944-00	

acc. 177 protection guard	
black	991372
Plastic-coated steel rod. For protection against impact. For art. 1721/1722.	



acc. 178 baffle louvre	
black	991373
Made of steel. To reduce glare and improve light control. For art. 1721/1722.	



Adjustment protractor scale for accurate aiming of the floodlight.

The front frame stays attached to the housing for easy maintenance.



Anti-condensation system with exhaust valve enabling the air to circulate without altering the degree of protection and ensuring a longer service life of the components.

Option to install a photocell.