

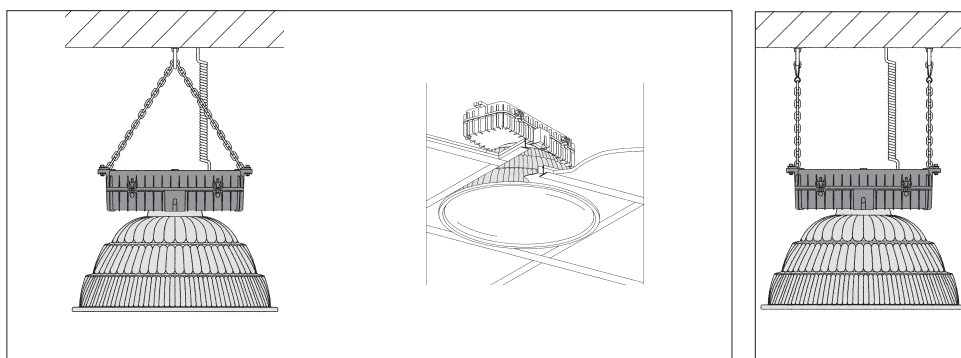
| 1115 Quark - wide beam with glass | | | | |
|-----------------------------------|--------|-----------|------------------------|-------------------------|
| wattage | CNRL | | | Lamps (Ta=25°C) |
| | weight | code | classification ATEX | Kelvin - ølm - Ra |
| JM-E 250 | 12.30 | 321622-00 | Ex tD A 22 T110°C (Ex) | 4500K - 18000lm - Ra 2a |
| JM-E 400 | 13.70 | 321626-00 | Ex tD A 22 T120°C (Ex) | 4500K - 32500lm - Ra 2a |
| SAP-E 250 | 12.30 | 321623-00 | Ex tD A 22 T110°C (Ex) | 2000K - 27000lm - Ra 4 |
| SAP-E 400 | 13.70 | 321625-00 | Ex tD A 22 T120°C (Ex) | 2000K - 48000lm - Ra 4 |

99.85 aluminium wide beam reflector.

| 1117 Quark - narrow beam with glass | | | | |
|-------------------------------------|--------|-----------|------------------------|-------------------------|
| wattage | CNRL | | | Lamps (Ta=25°C) |
| | weight | code | classification ATEX | Kelvin - ølm - Ra |
| JM-E 250 | 11.90 | 321822-00 | Ex tD A 22 T110°C (Ex) | 4500K - 18000lm - Ra 2a |
| JM-E 400 | 13.30 | 321826-00 | Ex tD A 22 T120°C (Ex) | 4500K - 32500lm - Ra 2a |

Narrow beam 99.85 prismatic aluminium reflector, for greater heights.

| 1115 - 1117 QUARK ATEX CNRL | |
|-------------------------------|----------------------------------------------------------------------------------|
| Protection against explosions | (Ex) II 3D |
| Allowed dangerous area | Zone 22 |
| Allowed room temperature | between from -20°C to +40°C up to 250W -20°C to +30°C |
| Degree of protection | IP65 |
| Installation | suspension and ceiling |
| Casing mechanical resistance | IK08 (5J) |
| Reference regulations | CEI EN 60598-1 - CEI EN 60529 CEI EN 50102 - CEI EN 50014 CEI EN 50281-1-1 |



Housing: very low magnesium content die-cast aluminium alloy.

Reflector: 99.85 pressed aluminium, anodized (3µ thick) and polished for high luminous efficiency.

Diffuser: 5mm thick tempered glass, resistant to impact and thermal shock.

Ballast: all ballasts are equipped with heat protection.

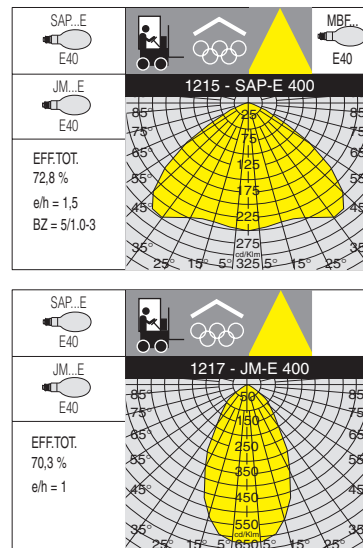
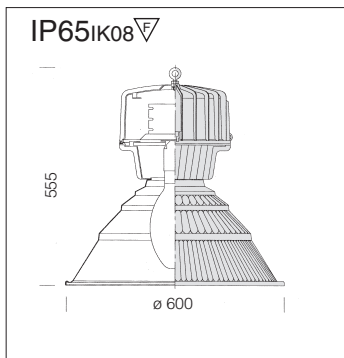
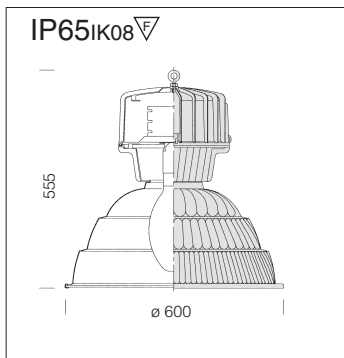
Internal wiring: flexible silicone cable with fibreglass braid, cross section 1sqmm, with admiralty brass connection clamps.

Coating: black polyester powder, resistant to corrosive and saline environments.

Gaskets: all the gaskets are retained and made of silicone rubber resistant to low and high temperatures.

Cable gland: impact resistant, for environments at risk of explosion according to CEI EN 50014 with working temperatures ranging between -20°C and +70°C.

Category 3D
These fixtures can only be used in zones classified as 22, i.e. areas where an explosive atmosphere in the form of combustible powder is not present during normal operation, but, if this occurs, it only persists for short periods. The fixtures ensure the required level of protection during normal operation.



INDUSTRIAL HIGH-BAYS

1215 Photon - wide beam with glass

| wattage | CNRL | | | Lamps (Ta=25°C) |
|------------------|--------|-----------|--------------------------|-------------------------|
| | weight | code | classification ATEX | Kelvin - ølm - Ra |
| MBF 250 | 8.75 | 322221-00 | Ex tD A 22 T95°C | 4000K - 13000lm - Ra 3 |
| MBF 400 | 9.55 | 322224-00 | Ex tD A 22 T130°C | 4000K - 22000lm - Ra 3 |
| JM-E 250 | 9.80 | 322222-00 | Ex tD A 22 T95°C | 4500K - 18000lm - Ra 2a |
| JM-E 400 | 11.20 | 322226-00 | Ex tD A 22 T110°C | 4500K - 32500lm - Ra 2a |
| SAP-E 250 | 9.80 | 322223-00 | Ex tD A 22 T95°C | 2000K - 27000lm - Ra 4 |
| SAP-E 400 | 11.20 | 322225-00 | Ex tD A 22 T110°C | 2000K - 48000lm - Ra 4 |

99.85 aluminium wide beam reflector.

1217 Photon - narrow beam with glass

| wattage | CNR-L | | | Lamps (Ta=25°C) |
|------------------|--------|-----------|--------------------------|-------------------------|
| | weight | code | classification ATEX | Kelvin - ølm - Ra |
| JM-E 250 | 9.40 | 322422-00 | Ex tD A 22 T95°C | 4500K - 18000lm - Ra 2a |
| JM-E 400 | 10.80 | 322426-00 | Ex tD A 22 T110°C | 4500K - 32500lm - Ra 2a |
| SAP-E 250 | 9.40 | 322423-00 | Ex tD A 22 T95°C | 2000K - 27000lm - Ra 4 |
| SAP-E 400 | 10.80 | 322425-00 | Ex tD A 22 T110°C | 2000K - 48000lm - Ra 4 |

Narrow beam 99.85 prismatic aluminium reflector, for greater heights.

1215 - 1217 PHOTON ATEX CNRL

| | |
|--------------------------------------|------------------------------------------------------------------------------|
| Protection against explosions | II 3D |
| Allowed dangerous area | Zone 22 |
| Allowed room temperature | until 250W between from -20°C to +40°C up to 250W -20°C to +30°C |
| Degree of protection | IP65 |
| Installation | suspension |
| Casing mechanical resistance | IK08 (5J) |
| Reference regulations | CEI EN 60598-1 CEI EN 60529 CEI EN 50102 CEI EN 61241-0 CEI EN 61241-1 |

Category 3D

These fixtures can only be used in zones classified as 22, i.e. areas where an explosive atmosphere in the form of combustible powder is not present during normal operation, but, if this occurs, it only persists for short periods. The fixtures ensure the required level of protection during normal operation.

SUSPENSION CONNECTION

CABLE GLAND

REMOVABLE WIRING

CHAIN SUSPENSION OPTICAL

NARROW BEAM REFLECTOR OR WIDE BEAM REFLECTOR

FLAT GLASS

