

Auto Langwerden - (Holland)



Housing: die-cast aluminium with wide cooling fins.

Reflector: pressed prismatic aluminium, anodised (3µ) and polished for higher luminous efficiency.

Coating: black polyester powder coating, resistant to corrosive and saline environments.

Wiring: 230V/50Hz power supply. Flexible wire terminated with quick-connect admiralty brass clamps, silicone insulation with fibreglass braid, cross section: 1 sqmm. 2P+T terminal block (maximum allowed lead cross-section: 4 sqmm).

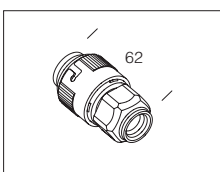
Standard supply: The reflector remains hooked to the fixture by means of a suspension chain. Removable gear tray for easy maintenance.

Equipment: Environment-friendly silicone rubber gasket. Fibreglass nylon cable gland, Ø 1/2 gas (cable min. Ø9, max Ø12).

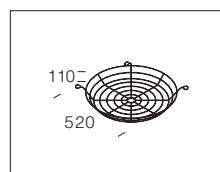
Reflector with switching device
 On request, the series Photon can be supplied with an installed electronic switching device (CLA), which turns on the auxiliary lamp (ALO 100 E27) until the main lamp is fully operating, to prevent any interruption of the light supply in case of hot start. Supplied with E27 lampholder; lamp not included.
 In this case the price of the luminaire is obtained by adding version CNRL and the CLA device, and should not be calculated per pallet.
additional charge. * In your order please specify specially made reflector with equipment -79).

Box acc. 1175 code 997659
 To be used when purchasing industrial floodlights in EM, sub-code -07. Reflectors with sub-code -07 come with an FLC 18L lamp, 2G11 connection for emergency switching on version. On request, FLC 26D/E lamp.

Quick connection: using sub-code -0064 after the **Disano code**, customers may request reflectors equipped with quick-connection device. This device is recommended when fast installation is required. Effective in saving time and costs. To buy separately socket connector (acc. 372).



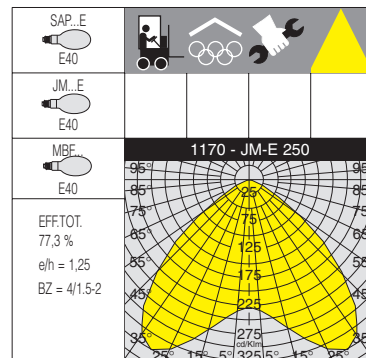
acc. 372 quick connec. socket	
black	998043
Always to be used with wire or tube. Cable gland with inlet cable with 16A and minimum diameter 9 and maximum dia. 12. 10 pcs. per pack.	



acc. 1122 protection guard	
0.60	321012
Black plastic-coated steel rod protection guard. Screw mounting.	



Diffuser: 5 mm thick, thermal shock and impact resistant protective tempered glass or vandal resistant.

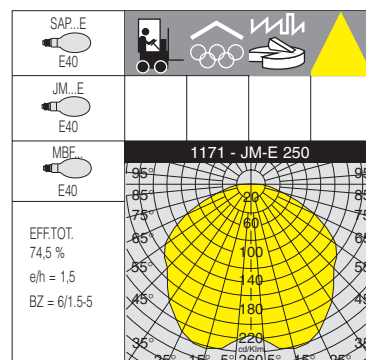


1170 Argon - with glass						
wattage	colour	CNRL		CNRL-E		Lamps (Ta=25°C)
		weight	code	weight	code	Kelvin - ølm - Ra
MBF 250	black	8.40	322641-00	9.10	322641-07	4000K - 13000lm - Ra 3
MBF 400	black	9.20	322642-00	9.90	322642-07	4000K - 22000lm - Ra 3
JM-E 250	black	9.30	322643-00	10.00	322643-07	4500K - 18000lm - Ra 2a
JM-E 400	black	10.60	322644-00	11.30	322644-07	4500K - 32500lm - Ra 2a
SAP-E 250	black	9.30	322645-00	10.00	322645-07	2000K - 27000lm - Ra 4
SAP-E 400	black	10.60	322646-00	11.30	322646-07	2000K - 48000lm - Ra 4

Option to attach protective guard acc 1122. Easy to mount with a single hook (eyebolt).



Diffuser: 5 mm thick, thermal shock and impact resistant protective tempered glass, or vandal resistant, V2 self-extinguishing, UV-stabilised clear polycarbonate diffuser, prismatic inside for better light control and smooth outside.



1171 Argon - with diffuser						
wattage	colour	CNRL		CNRL-E		Lamps (Ta=25°C)
		weight	code	weight	code	Kelvin - ølm - Ra
MBF 250	black	7.50	322741-00	8.20	322741-07	4000K - 13000lm - Ra 3
JM-E 250	black	8.40	322743-00	9.10	322743-07	4500K - 18000lm - Ra 2a
SAP-E 250	black	8.40	322745-00	9.10	322745-07	2000K - 27000lm - Ra 4

Option to attach protective guard acc 1122. Easy to mount with a single hook (eyebolt).

