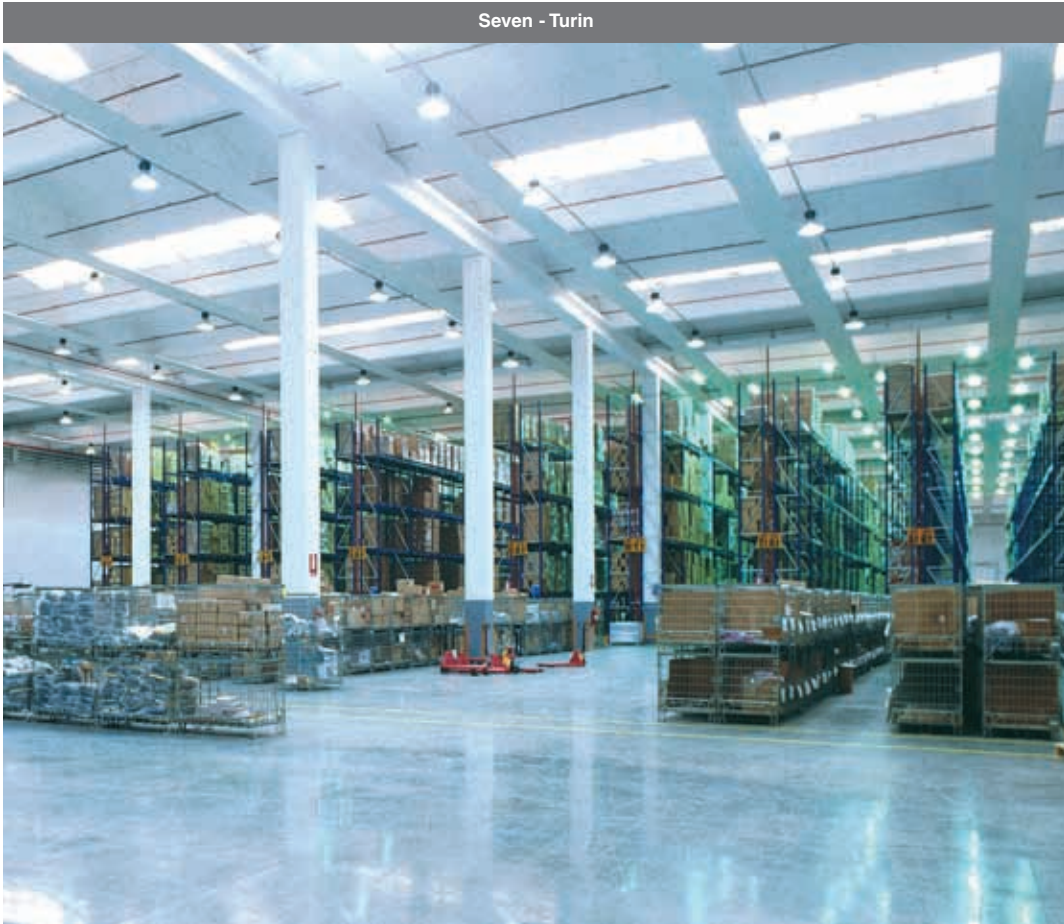


Seven - Turin



**Housing:** Die-cast aluminium with wide cooling fins.

**Diffuser:** 5 mm thick, thermal shock and impact resistant protective tempered glass, or vandal resistant, V2 self-extinguishing, UV-stabilised, dust-proof, shock resistant, anti-yellowing treated clear polycarbonate diffuser, prismatic inside for better light control and smooth outside.

**Coating:** Black polyester powder coating, resistant to corrosive and saline environments.

**Wiring:** 230V/50Hz power supply with heat protection. Flexible wire terminated with quick-connect admiralty brass clamps, silicone insulation with fibreglass braid, cross section: 1 sqmm.

**Standard supply:** The reflector remains hooked to the fixture by means of a suspension chain. Removable gear tray for easy maintenance.

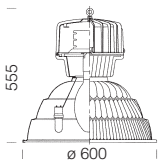
**Equipment:** Environment-friendly silicone rubber gasket. Fibreglass nylon cable gland, Ø 1/2 gas (cable min. Ø9, max Ø12).

**Reflector with switching device**

On request, the series Photon can be supplied with an installed electronic switching device (CLA), which turns on the auxiliary lamp (ALO 100 E27) until the main lamp is fully operating, to prevent any interruption of the light supply in case of hot start. Supplied with E27 lampholder; lamp not included.

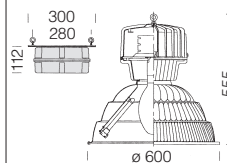
In this case the price of the luminaire is obtained by adding version CNRL and the CLA device, and should not be calculated per pallet.

**additional charge. \* In your order please specify specially made reflector with equipment -79).**

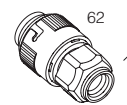


**Box acc. 1175 code 997659**

To be used when purchasing industrial floodlights in EM, sub-code -07. Reflectors with sub-code -07 come with an FLC 18L lamp, 2G11 connection for emergency switching on version. On request, FLC 26D/E lamp.



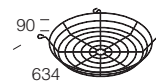
**Quick connection:** using sub-code -0064 after the **Disano code**, customers may request reflectors equipped with quick-connection device. This device is recommended when fast installation is required. Effective in saving time and costs. To buy separately socket connector (acc. 372).



**acc. 372 quick connec. socket**

black	998043
-------	--------

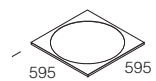
Always to be used with wire or tube. Cable gland with inlet cable with 16A and minimum diameter 9 and maximum dia. 12. **10 pcs. per pack.**



**acc. 1160 protection guard**

0.80	321010
------	--------

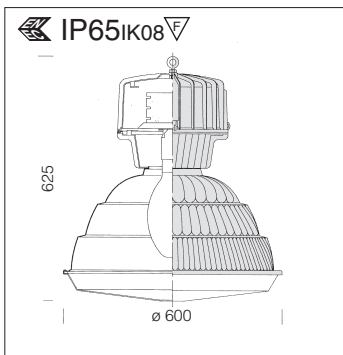
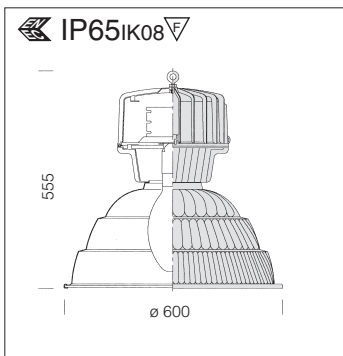
Black plastic-coated steel rod protection guard. Screw mounting.



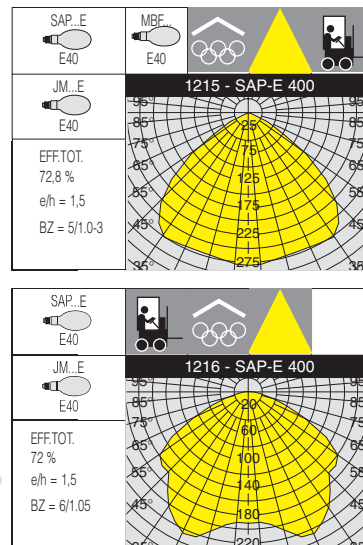
**acc. 1161 panel 595 x 595**

0.80	321011
------	--------

White sheet steel panel for 600x600 false ceiling modules.



**Reflector:** Pressed prismatic aluminium 99.85, anodised (3µ) and polished for higher luminous efficiency.

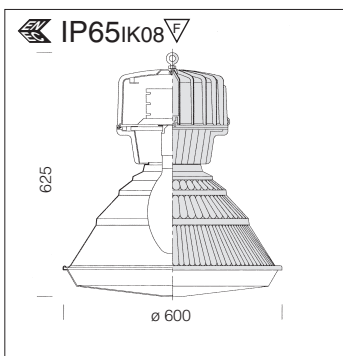
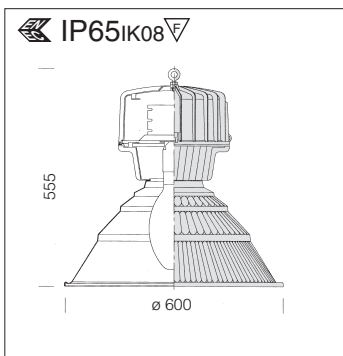


1215 Photon - wide beam glass						
		CNRL		CNRL-E		Lamps (Ta=25°C)
wattage	colour	weight	code	weight	code	Kelvin - ølm - Ra
MBF 250	black	8.75	322241-00	9.45	322241-07	4000K - 13000lm - Ra 3
MBF 400	black	9.55	322244-00	10.25	322244-07	4000K - 22000lm - Ra 3
JM-E 250	black	9.80	322242-00	10.50	322242-07	4500K - 18000lm - Ra 2a
JM-E 400	black	11.20	322246-00	11.90	322246-07	4500K - 32500lm - Ra 2a
SAP-E 250	black	9.80	322243-00	10.50	322243-07	2000K - 27000lm - Ra 2a
SAP-E 400	black	11.20	322245-00	11.90	322245-07	2000K - 48000lm - Ra 4

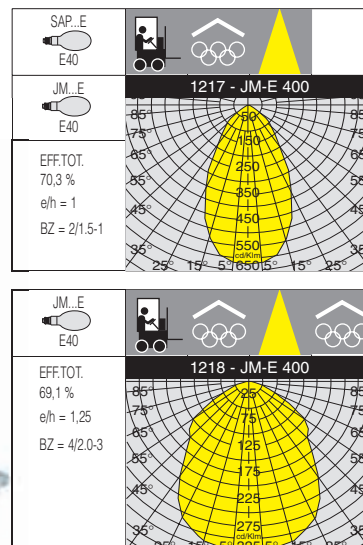
  

1216 Photon - wide beam glass						
		CNRL		CNRL-E		Lamps (Ta=25°C)
wattage	colour	weight	code	weight	code	Kelvin - ølm - Ra
JM-E 250	black	9.80	322342-00	10.50	322342-07	4500K - 18000lm - Ra 2a
JM-E 400	black	11.20	322346-00	11.90	322346-07	4500K - 32500lm - Ra 2a
SAP-E 250	black	9.80	322343-00	10.50	322343-07	2000K - 27000lm - Ra 4
SAP-E 400	black	11.20	322345-00	11.90	322345-07	2000K - 48000lm - Ra 4

Option to attach protective guard acc 1160, and recessed mounting panel acc 1161.



**Reflector:** Pressed prismatic narrow beam aluminium 99.85, anodised (3µ) and polished for higher luminous efficiency.



1217 Photon - narrow beam						
		CNRL		CNRL-E		Lamps (Ta=25°C)
wattage	colour	weight	code	weight	code	Kelvin - ølm - Ra
JM-E 250	black	9.40	322442-00	10.10	322442-07	4500K - 18000lm - Ra 2a
JM-E 400	black	10.80	322446-00	11.50	322446-07	4500K - 32500lm - Ra 2a
SAP-E 250	black	9.40	322443-00	10.10	322443-07	2000K - 27000lm - Ra 4
SAP-E 400	black	10.80	322445-00	11.50	322445-07	2000K - 48000lm - Ra 4

1218 Photon - narrow beam						
		CNRL		CNRL-E		Lamps (Ta=25°C)
wattage	colour	weight	code	weight	code	Kelvin - ølm - Ra
JM-E 250	black	7.20	322542-00	7.90	322542-07	4500K - 18000lm - Ra 2a
JM-E 400	black	9.00	322546-00	9.70	322546-07	4500K - 32500lm - Ra 4

Option to attach protective guard acc 1160, and recessed mounting panel acc 1161.

