



**Housing:** die-cast aluminium with wide cooling fins.

**Diffuser:** 5 mm thick, thermal shock and impact resistant protective tempered glass, or vandal resistant, V2 self-extinguishing, UV-stabilised, dust-proof, shock resistant, anti-yellowing treated clear polycarbonate diffuser, prismatic inside for better light control and smooth outside.

**Coating:** black polyester powder coating, resistant to corrosive and saline environments.

**Wiring:** 230V/50Hz power supply with heat protection. Flexible wire terminated with quick-connect admiralty brass clamps, silicone insulation with fibreglass braid, cross section: 1 sqmm. 2P+T terminal block (maximum allowed lead cross-section: 4 sqmm).

**Standard supply:** the reflector remains hooked to the fixture by means of a suspension chain. Removable gear tray for easy maintenance.

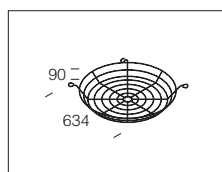
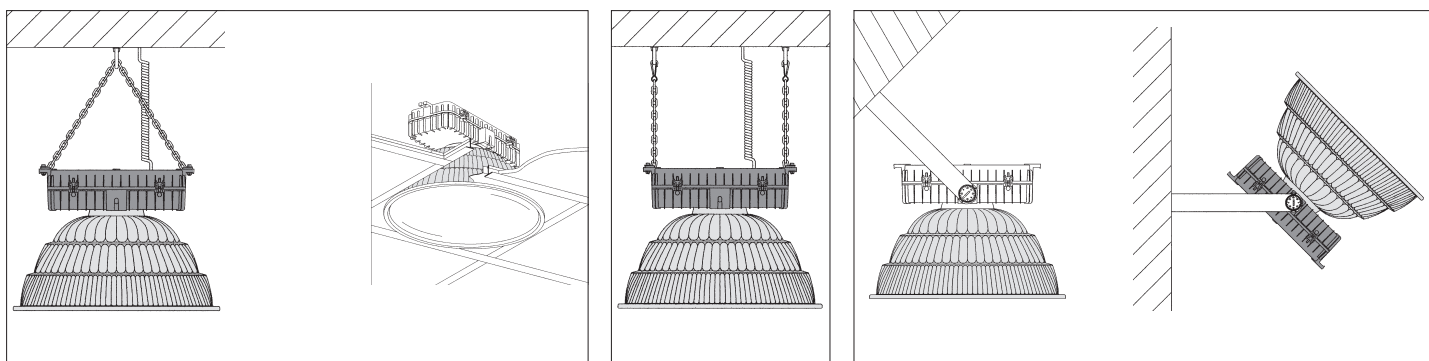
**Reflector with switching device**

On request, the series Quark can be supplied with an installed electronic switching device (CLA), which turns on the auxiliary lamp (ALO 100 E27) until the main lamp is fully operating, to prevent any interruption of the light supply in case of hot start. Supplied with E27 lampholder; lamp not included. In this case the price of the luminaire is obtained by adding version CNRL and the CLA device, and should not be calculated per pallet.

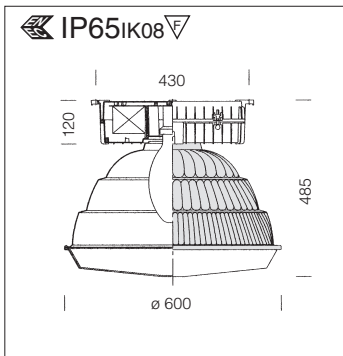
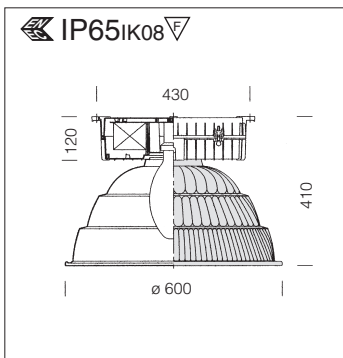
**Additional charge. \* In your order please specify specially made reflector with equipment -79).**

**Box acc. 1175 code 997659**

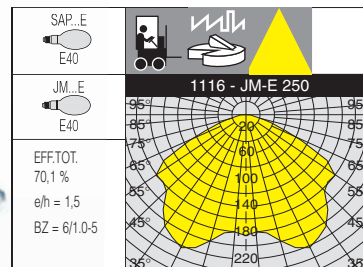
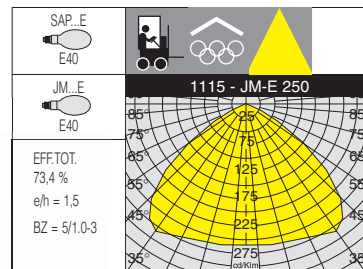
To be used when purchasing industrial floodlights in EM, sub-code -07. Reflectors with sub-code -07 come with an FLC 18L lamp, 2G11 connection for emergency switching on version.



<b>acc. 1160 protection guard</b>	
black	321010
Black plastic-coated steel rod protection guard. Screw mounting.	



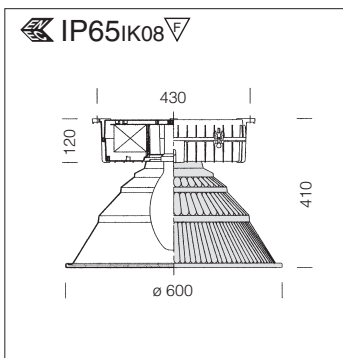
**Reflector:** Aluminium 99.85 prismatic wide-beam reflector, oxidised anodised thick 3µ and polished for higher luminous efficiency.



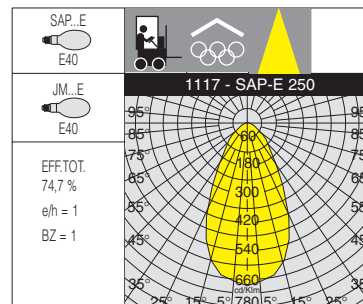
1115 Quark - wide beam with glass						
		CNRL		CNRL-E		Lamps (Ta=25°C)
wattage	colour	weight	code	weight	code	Kelvin - ølm - Ra
JM-E 250	black	12.30	321642-00	13.00	321642-07	4500K - 18000lm - Ra 2a
JM-E 400	black	13.70	321646-00	14.40	321646-07	4500K - 32500lm - Ra 2a
SAP-E 250	black	12.30	321643-00	13.00	321643-07	2000K - 27000lm - Ra 4
SAP-E 400	black	13.70	321645-00	14.10	321645-07	2000K - 48000lm - Ra 4

1116 Quark - wide beam with diffuser						
		CNRL		CNRL-E		Lamps (Ta=25°C)
wattage	colour	weight	code	weight	code	Kelvin - ølm - Ra
JM-E 250	black	10.10	321742-00	10.80	321742-07	4500K - 18000lm - Ra 2a
JM-E 400	black	11.45	321746-00	12.15	321746-07	4500K - 32500lm - Ra 2a
SAP-E 250	black	10.10	321743-00	10.80	321743-07	2000K - 27000lm - Ra 4
SAP-E 400	black	11.45	321745-00	12.15	321745-07	2000K - 48000lm - Ra 4

Option to attach protective guard acc 1160, and recessed mounting panel acc 1161.



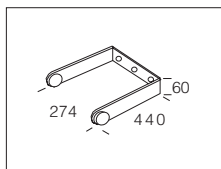
**Reflector:** Aluminium 99.85 prismatic wide-beam reflector, oxidised anodised thick 3µ and polished for higher luminous efficiency.



1117 Quark - narrow beam						
		CNRL		CNRL-E		Lamps (Ta=25°C)
wattage	colour	weight	code	weight	code	Kelvin - ølm - Ra
JM-E 250	black	11.90	321842-00	12.60	321842-07	4500K - 18000lm - Ra 2a
JM-E 400	black	13.30	321846-00	14.00	321846-07	4500K - 32500lm - Ra 4

Option to attach protective guard acc 1160, and recessed mounting panel acc 1161.

<b>acc. 1184 adjustable bracket</b>	
black	321015
Steel adjustable bracket.	



<b>acc. 1161 panel 595x595</b>	
white	321011
White sheet steel panel for 600x600 false ceiling modules.	

