



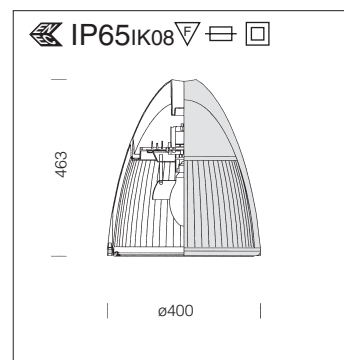
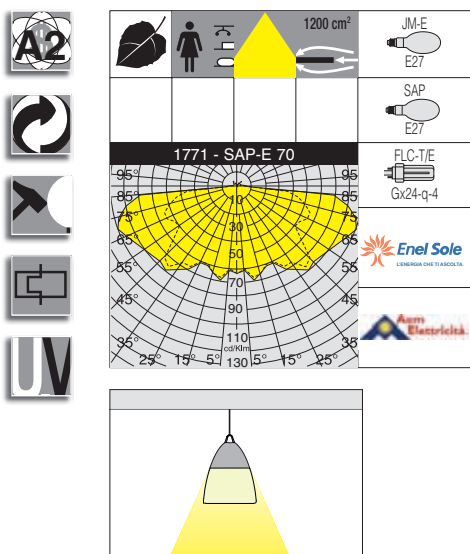
**Housing / Frame:** die-cast aluminium.

**Diffuser:** impact and vandal-resistant, V2 self-extinguishing, UV-stabilised crystal polycarbonate. With flat tempered glass.

**Reflector:** aluminium inside.

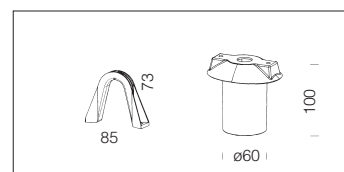
**Coating:** In several stages. First stage: grey epoxy cationic electro-coating, resistant to corrosive and saline environments. Second stage: UV stabilising priming; final stage: rough finish with frosted silver or graphite paint.

**Electric gear:** 230V/50Hz power supply with heat protection. Wire terminated with quick-connect admiralty brass clamps. Fibreglass braid insulation, cross-section: 1.0sqmm. 2P terminal block (maximum allowed lead cross-section of 4 sqmm.).



1771 Lanterna 2 - with diffuser						
		CNRL-F		CELL-F		Lamps (Ta=25°C)
wattage	colour	weight	code	weight	code	Kelvin - ølm - Ra
SAP-E 70	s. silver	5.80	424120-00			2000K - 5600lm - Ra 4
JM-E 100	s. silver	5.90	424122-00			3200K - 9000lm - Ra 2A
SAP-E 70	graphite	5.80	424125-00			2000K - 5600lm - Ra 4
JM-E 100	graphite	6.00	424127-00			3200K - 9000lm - Ra 2A
FLC 42 T/E	s. silver			4.50	424123-00	
FLC 42 T/E	graphite			4.50	424128-00	4000K - 3200lm - Ra 1b

For suspension use with acc. 307.



**acc. 307 suspension connection**

s. silver	993921
graphite	993928

Made of aluminium. To use for suspension, supplied with connection.