



Simulation

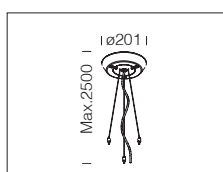
Housing / Frame: die-cast aluminium prepared for installation using accessories, hook or metal threaded tubes.

Diffuser: tempered glass, thickness 5 mm, resistant to impacts and thermal shocks (UNI EN 12150-1/2001 tests).

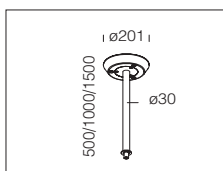
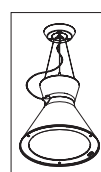
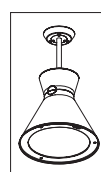
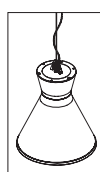
Coating: multistage process. Stage 1: grey epoxy cationic electrocoating, resistant to corrosion and briny mist. Stage 2: UV-stabilising priming. Stage 3: sandblasted silver acrylic finishing.

Wiring: 230/50 Hz power supply. Double insulation, flexible wire, 1 sq.mm. cross-section.

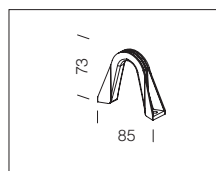
Equipment: the frame remains attached to the housing by means of steel safety straps. Wiring positioned on a removable plate.



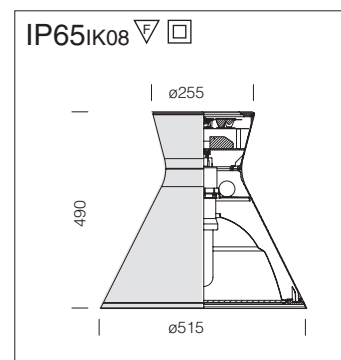
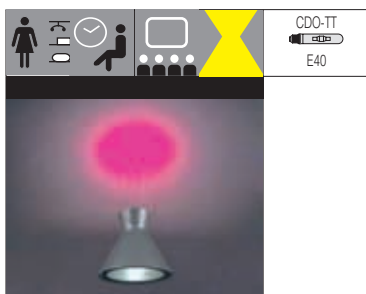
acc. 380 suspension	
s. silver	326500
Die-cast aluminium. Supplied with three steel cable. To be used with direct/ indirect light fixtures.	



acc. 14 ceiling mounting Ø30	
50 cm	991342
100 cm	991343
150 cm	991344
Die-cast aluminium Ø 30 with steel tube. For mounting suspended only art. 3164.	



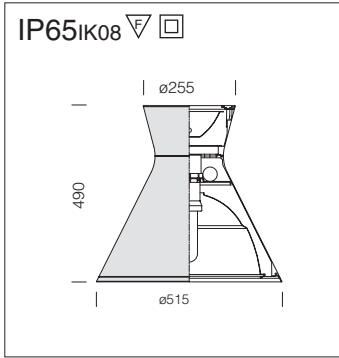
acc. 329 suspension connection	
s. silver	998060
Die-cast aluminium. Always buy for suspended art. 3164.	



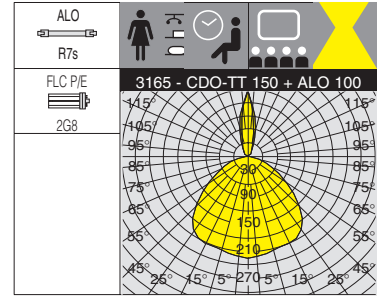
Reflector: in 99.85 aluminium, anodically oxidized and polished. Supplied plate with 4 led RGB at the top.

3166 Iride - direct/indirect light with LED RGB				
wattage	colour	CNRL+CTL		Lamps (Ta=25°C)
		weight	code	Kelvin - ølm - Ra
CDO-TT 150 + LED RGB	s. silver	11.50	326570-00	2800K - 13500lm - Ra 1b

For mounting suspended use acc. 380 or 329. Minimum distance from the ceiling: 60cm.



Direct/indirect light reflector: in 99.85 aluminium, anodically oxidized and polished. Wide beam aluminium at the top.

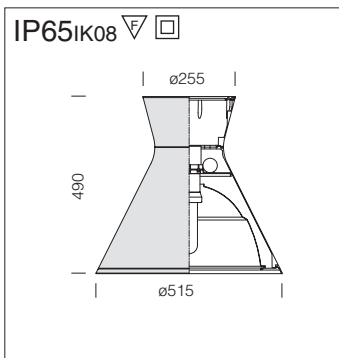


COMMERCIAL HIGH-BAYS

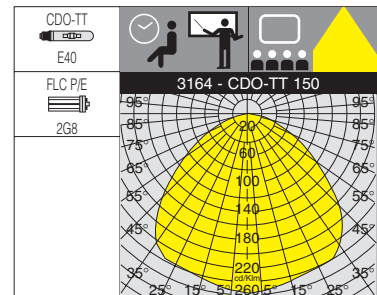
3165 Iride - direct / indirect wide beam light

		CNRL		CELL		Lamps (Ta=25°C)
wattage	colour	weight	code	weight	code	Kelvin - ølm - Ra
CDO-TT 150 + ALO100	s. silver	11.50	326561-00			2800K - 13500lm - Ra 1b + 3000K - 1600lm
FLC 120 P/E + FLC 20EL	s. silver			10.00	326562-00	4000K - 9000lm - Ra 1b

For suspended mounting use acc. 380 or 329.



Wide beam reflector: in 99.85 aluminium, anodically oxidized and polished.



3164 Iride - direct wide beam light

		CNRL		CELL		Lamps (Ta=25°C)
wattage	colour	weight	code	weight	code	Kelvin - ølm - Ra
CDO-TT 150	s. silver	11.50	326551-00			2800K - 13500lm - Ra 1b
FLC 120 P/E	s. silver			10.00	326552-00	4000K - 9000lm - Ra 1b

For suspended mounting use acc. 380 or 329.