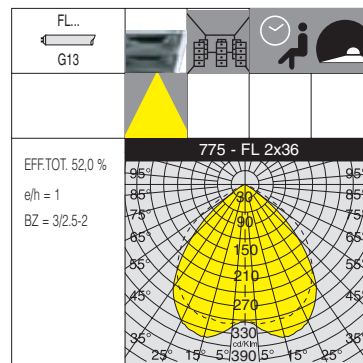
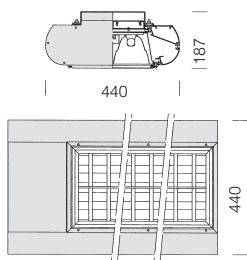


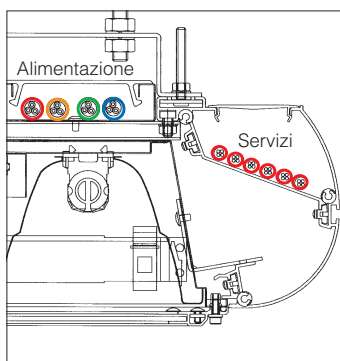
v.l. IP65IK08



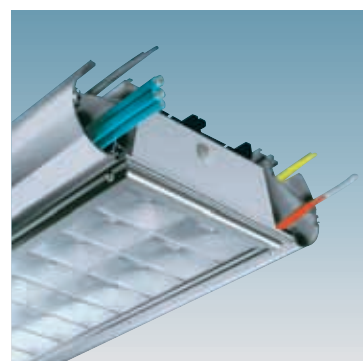
FLUORESCENT
WATERPROOF

On plan

Load-bearing channel suitable for lighting in Underground transport systems, airports, railway stations, large areas, etc. To develop on plan.



Options to run cables through the fixture.



These fixtures are fluorescent load-bearing modules, containing appropriate compartments for the installation of wired broadcasting, electric, telephone cables...

Housing: extruded aluminium with load-bearing features, designed for the insertion of ceiling fixtures and S modules. With PVC cover and appropriate cable separators.

Ceiling fixture housing: sheet steel, with aluminium glass-holding frame.

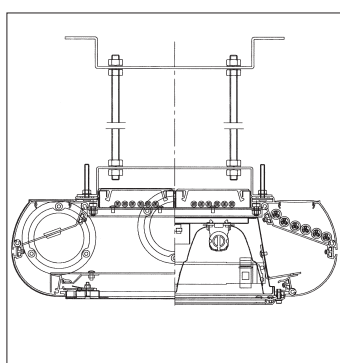
Ceiling fixture optic: double parabolic dark-light louvres built from 2μ-thick, low luminance frosted anodised aluminium.

Diffuser: 4mm thick tempered protection glass.

Coating: With UV-stabilised white polyester powder.

Electric gear: 230V/50Hz supply with electronic ballast.

Installation: suspension installation system.



Suspension installation system. Complete with brackets but without rods or chains.

Option to create a continuous line using acc. 2445 which enables cables to run through uninterruptedly.

